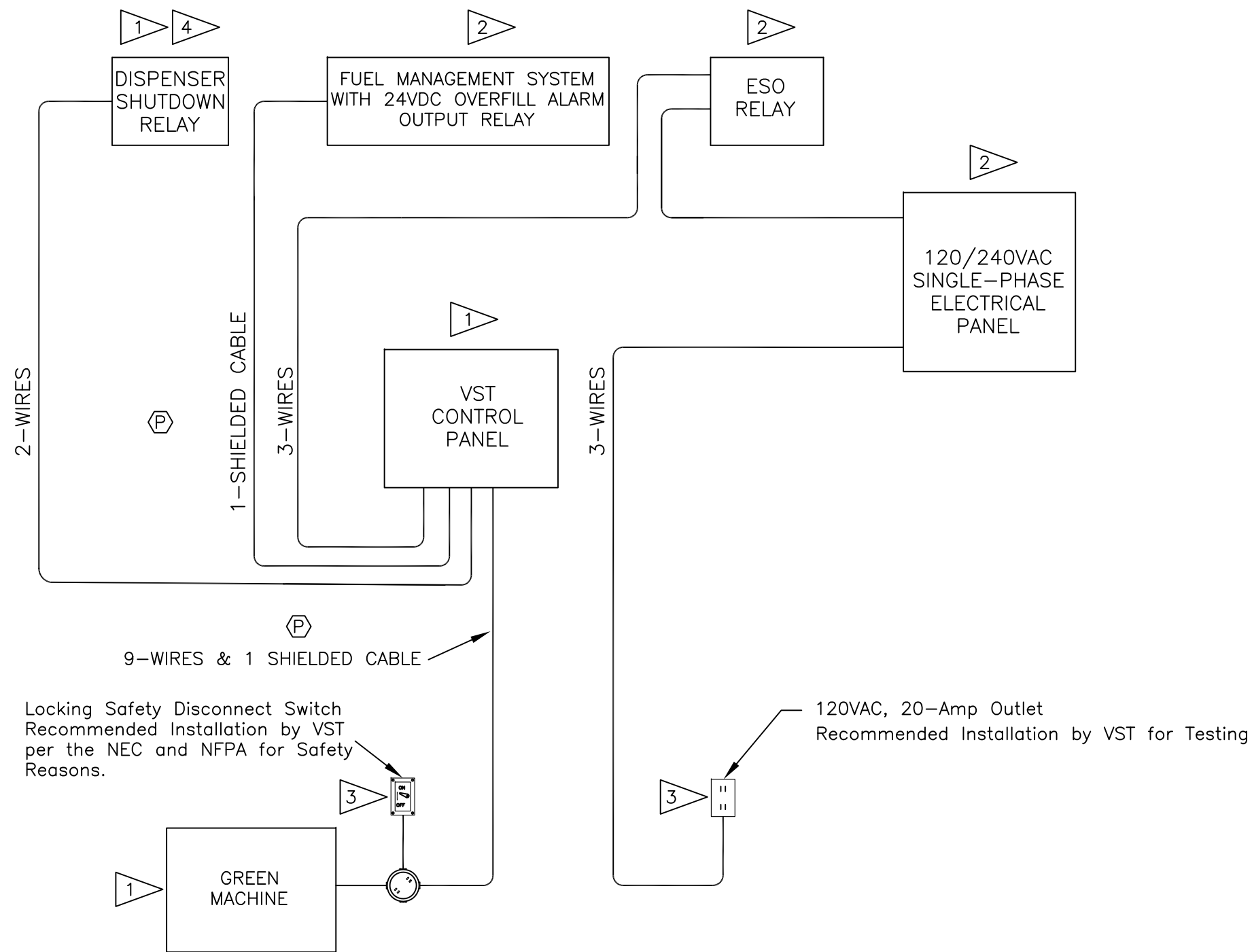


DRAWING LIST

SHT	DESCRIPTION
1	TITLE SHEET.
2	ELECTRICAL OVERVIEW – ESO RELAY WIRING.
3	CONTROL PANEL FIELD WIRING – ESO RELAY WIRING.
4	CONTROL PANEL FIELD WIRING – COMPONENT CONNECTIONS.
5	DISPENSER SHUTDOWN RELAY CIRCUIT COMPONENTS.
6	DISPENSER SHUTDOWN RELAY CIRCUIT WIRING DIAGRAM.
7	GREEN MACHINE JUNCTION BOX FIELD WIRING DIAGRAM.
8	PRESSURE SENSOR WIRING DIAGRAM.
9	VACUUM PUMP MOTOR WIRING DIAGRAM.
10	WIRING CONNECTIONS.

ECN	DESCRIPTION	RELEASED
2503	PER EC	12/12/23

DRAWN BY P. ELAM CHECKED BY R. GRANTHAM APPROVED BY G. WALKER	DATE 12/11/23 DATE 12/11/23 DATE 12/11/23	TITLE INSTALLATION DRAWING GREEN MACHINE – GEN 3  Vapor Systems Technologies, Inc. Springboro, Ohio 45066 www.vsthose.com	DWG NO. 5790-002	REV P
THE INFORMATION ON THIS DOCUMENT IS PROPRIETARY AND CONFIDENTIAL. IT MAY BE USED ONLY FOR THE PURPOSE FOR WHICH VAPOR SYSTEMS TECHNOLOGIES, INC. PROVIDED IT.			SHEET NO. 1 OF 10	



NOTES:

1. ITEM ARE SUPPLIED BY VST, INC.
2. ITEM ARE EXISTING AT GDF SITE LOCATION.
3. ITEM ARE SUPPLIED BY CONTRACTOR.
4. ITEM IS FOR CS8A AND CS12A GREEN MACHINES ONLY.
5. THE STATION EMERGENCY SHUT-OFF (ESO) RELAY SUPPLIES POWER TO THE VST CONTROL PANEL 3-WIRES).
6. THE ESO RELAY, WHEN ACTIVATED, WILL TURN OFF POWER TO THE VST CONTROL PANEL.
7. THE OVERFILL OUTPUT RELAY WILL TURN OFF THE GREEN MACHINE WHEN AN OVERFILL OCCURS (2-WIRES).

ECN	DESCRIPTION	RELEASED
2503	PER EC	12/12/23

DRAWN BY P. ELAM	DATE 12/11/23
CHECKED BY R. GRANTHAM	DATE 12/11/23
APPROVED BY G. WALKER	DATE 12/11/23

TITLE INSTALLATION DRAWING GREEN MACHINE - GEN 3	DWG NO. 5790-002
VST Vapor Systems Technologies, Inc. Springboro, Ohio 45066 www.vstthose.com	REV P



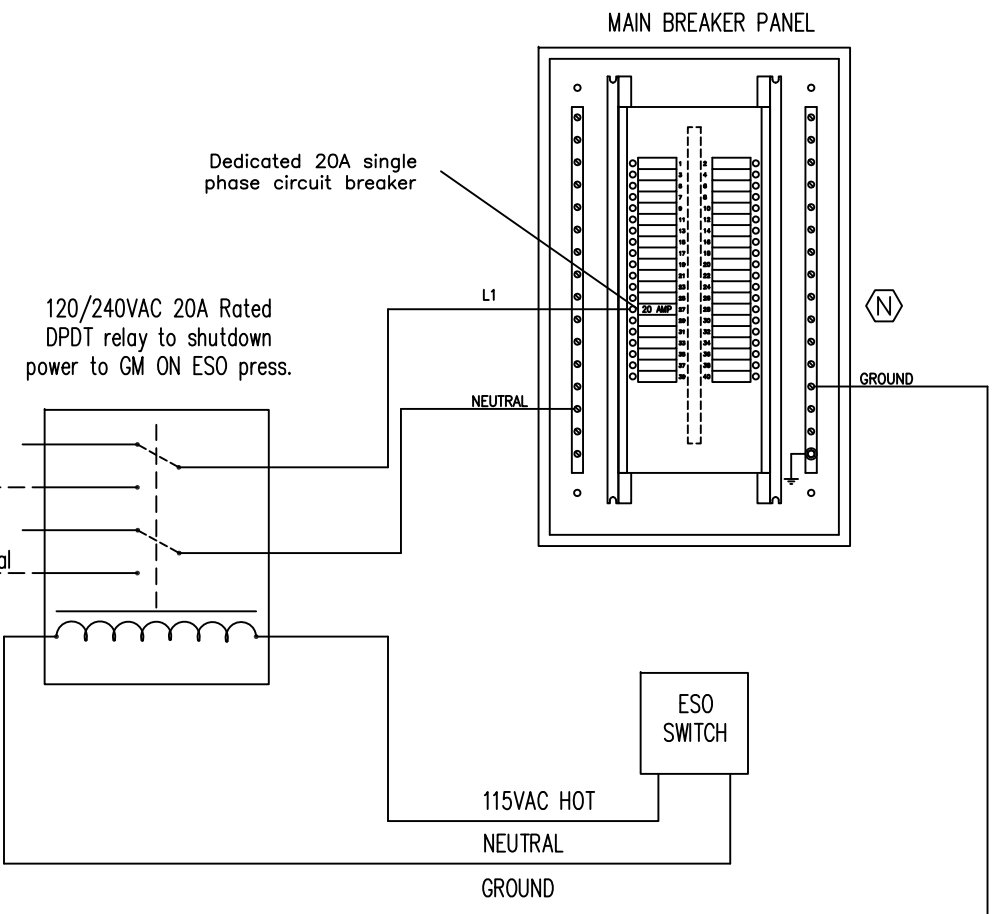
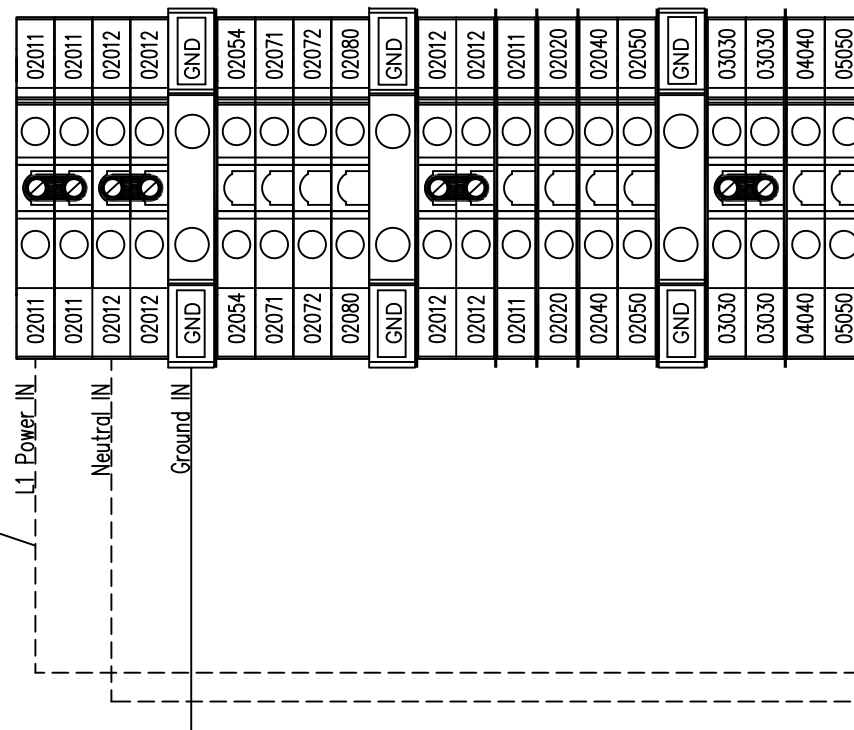
THE INFORMATION ON THIS DOCUMENT IS PROPRIETARY AND CONFIDENTIAL. IT MAY BE USED ONLY FOR THE PURPOSE FOR WHICH VAPOR SYSTEMS TECHNOLOGIES, INC. PROVIDED IT.

SHEET NO. 2 OF 10

BOTTOM OF PANEL FOR
FIELD WIRING CONNECTIONS

FIELD WIRING FROM THE MAIN
ELECTRICAL DISTRIBUTION PANEL TO THE
CONTROL PANEL TERMINAL BLOCKS

INCOMING POWER CONNECTIONS



ECN	DESCRIPTION	RELEASED
2503	PER EC	12/12/23

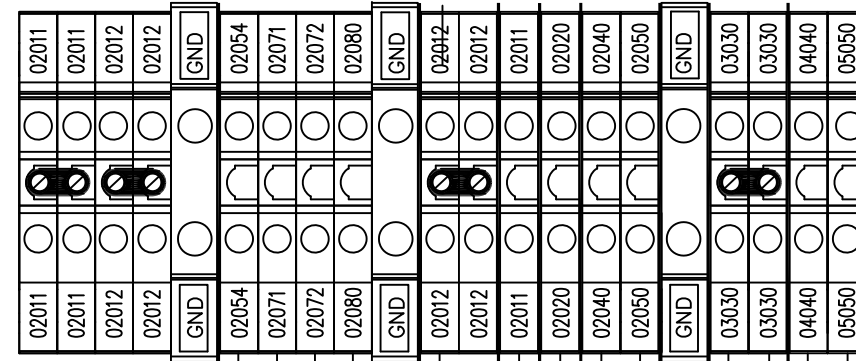
DRAWN BY P. ELAM	DATE 12/11/23
CHECKED BY R. GRANTHAM	DATE 12/11/23
APPROVED BY G. WALKER	DATE 12/11/23

TITLE INSTALLATION DRAWING GREEN MACHINE - GEN 3	DWG NO. 5790-002
VST Vapor Systems Technologies, Inc. Springboro, Ohio 45066 www.vstthose.com	REV P

THE INFORMATION ON THIS DOCUMENT IS PROPRIETARY AND CONFIDENTIAL. IT MAY BE USED ONLY FOR THE PURPOSE FOR WHICH VAPOR SYSTEMS TECHNOLOGIES, INC. PROVIDED IT.	SHEET NO. 3 OF 10
---	----------------------

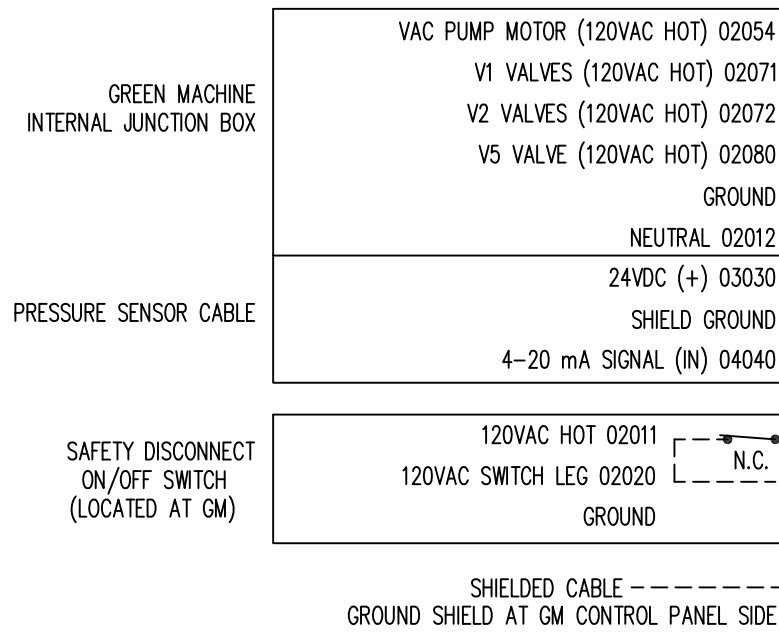
CONTROL PANEL CONNECTIONS

CONNECTING

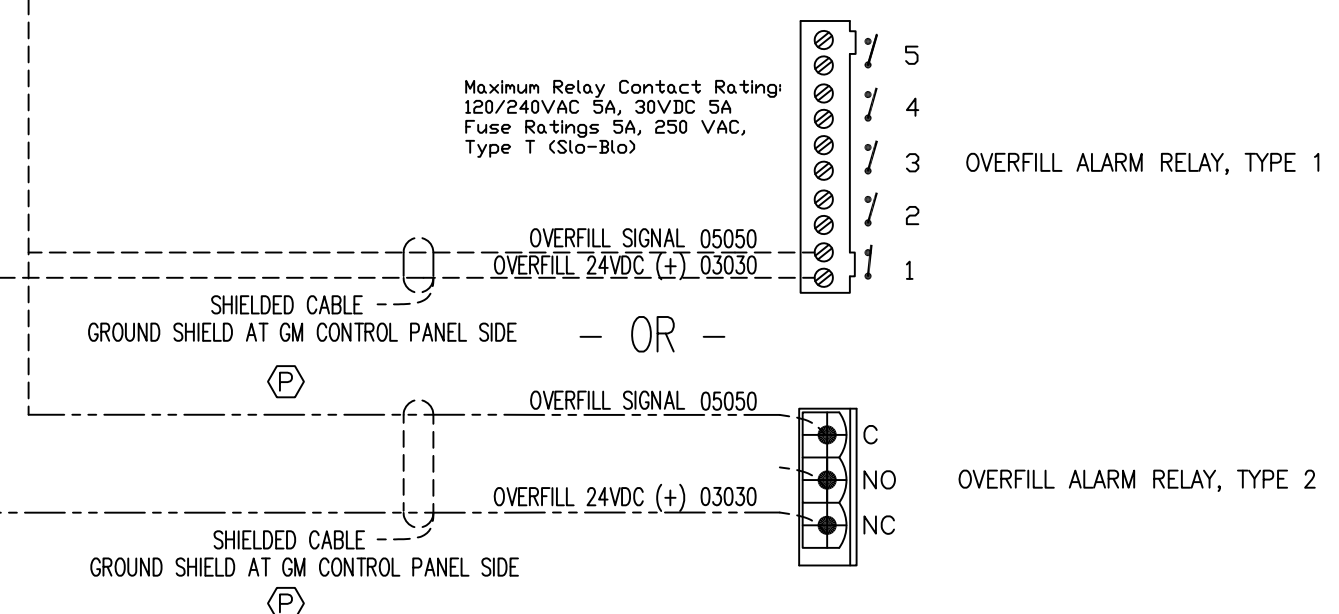


- * GREEN MACHINE INTERNAL JUNCTION BOX
- * PRESSURE SENSOR
- * SAFETY DISCONNECT SWITCH
- * OVERFILL ALARM RELAY
- * 72-HOUR STATION SHUTDOWN ALARM RELAY

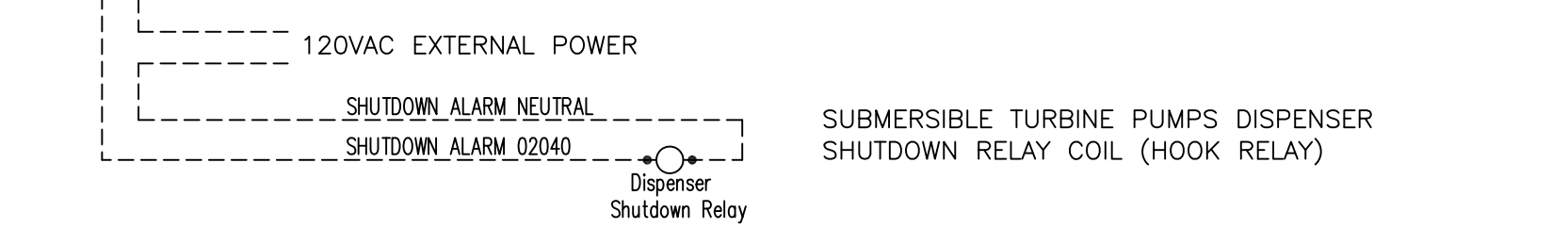
AT THE GREEN MACHINE FIELD WIRING CONNECTIONS



INSIDE THE DATA HUT OVERFILL FIELD WIRING CONNECTIONS



SHUTDOWN ALARM FIELD WIRING CONNECTIONS



NOTES:

1. ITEM IS FOR CS8A and CS12A GREEN MACHINES ONLY.

ECN	DESCRIPTION	RELEASED
2503	PER EC	12/12/23

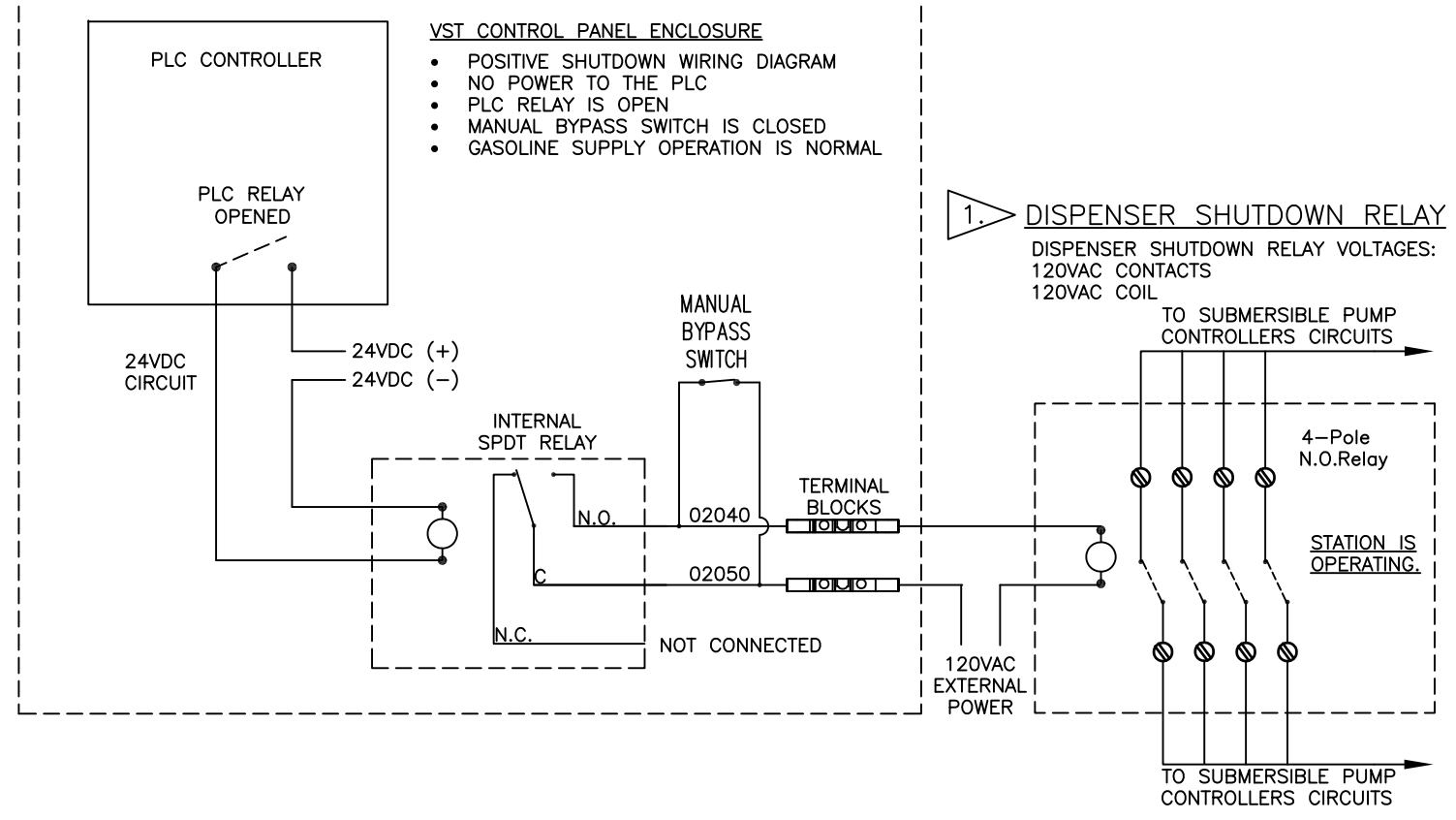
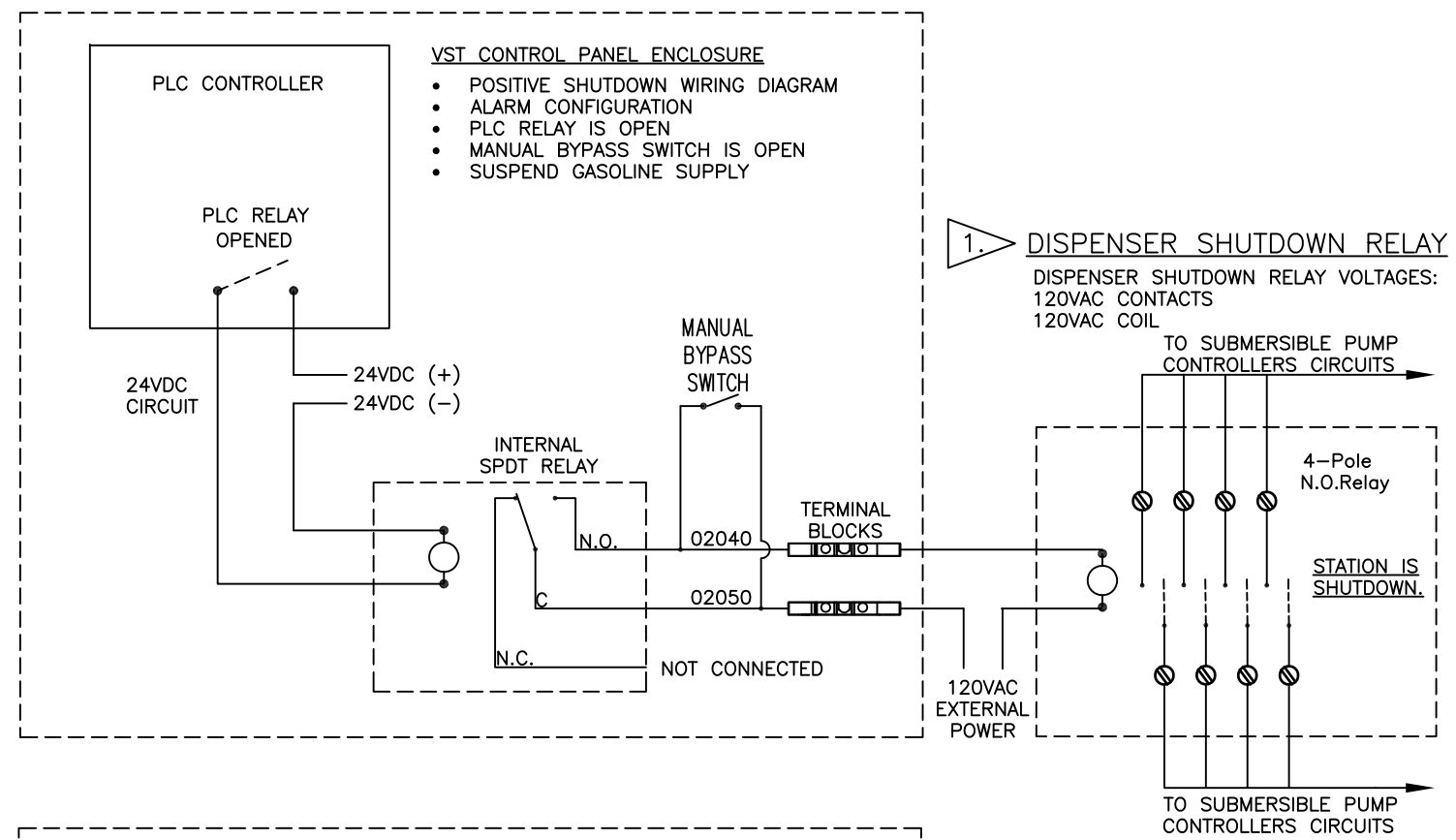
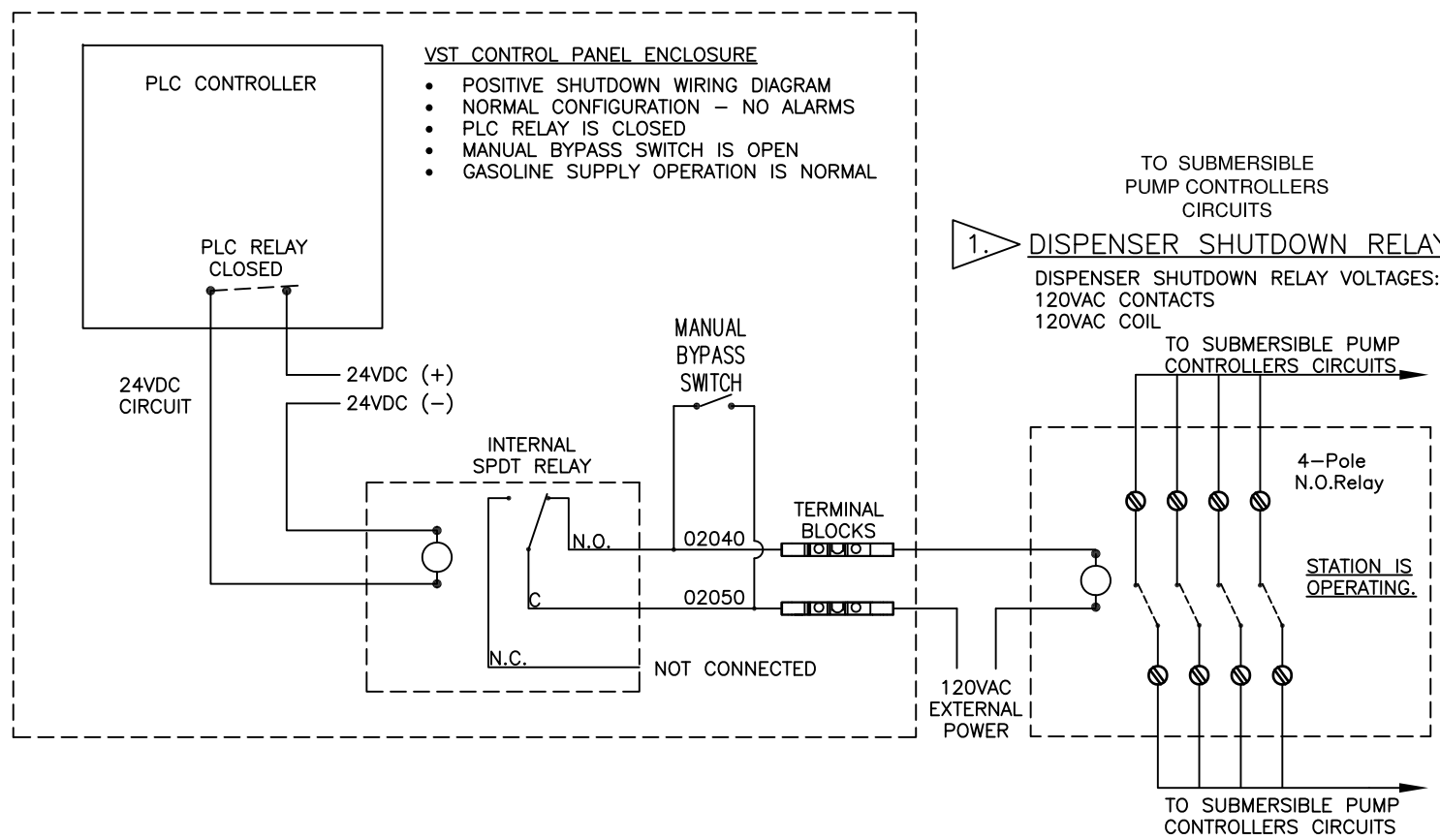
DRAWN BY P. ELAM	DATE 12/11/23
CHECKED BY R. GRANTHAM	DATE 12/11/23
APPROVED BY G. WALKER	DATE 12/11/23

TITLE
INSTALLATION DRAWING
GREEN MACHINE - GEN 3

VST Vapor Systems Technologies, Inc.
Springboro, Ohio 45066 www.vstthose.com

DWG NO. 5790-002	REV P
SHEET NO. 4 OF 10	

THE INFORMATION ON THIS DOCUMENT IS PROPRIETARY AND CONFIDENTIAL. IT MAY BE USED ONLY FOR THE PURPOSE FOR WHICH VAPOR SYSTEMS TECHNOLOGIES, INC. PROVIDED IT.



Positive shutdown wiring diagram. Turning OFF power to the VST Control Panel will disable fueling. Splice into the dispenser shutoff signal after all other wiring to the vst control panel is complete and is fully functional. test the dispenser shutoff relay control before connecting dispenser shutoff wires to the dispenser shutoff relay.

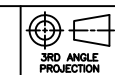
if the VST Control Panel loses power, the bypass switch can closed to keep the station operational.

NOTES:
 1. ITEM IS FOR CS8A AND CS12A GREEN MACHINES ONLY.

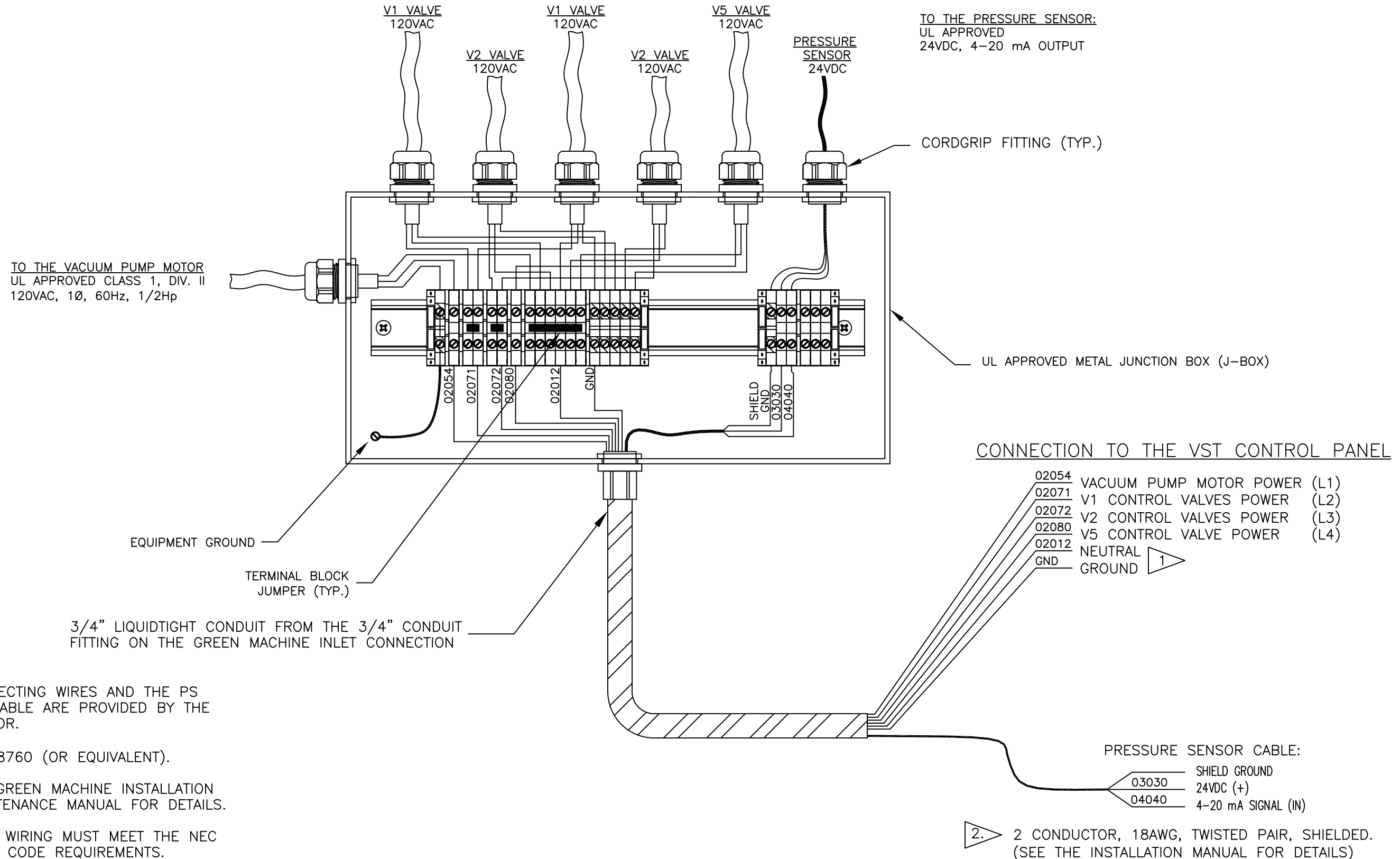
ECN	DESCRIPTION	RELEASED
2503	PER EC	12/12/23

DRAWN BY P. ELAM	DATE 12/11/23	TITLE INSTALLATION DRAWING GREEN MACHINE – GEN 3	DWG NO. 5790-002	REV P	
CHECKED BY R. GRANTHAM	DATE 12/11/23		THE INFORMATION ON THIS DOCUMENT IS PROPRIETARY AND CONFIDENTIAL. IT MAY BE USED ONLY FOR THE PURPOSE FOR WHICH VAPOR SYSTEMS TECHNOLOGIES, INC. PROVIDED IT.		
APPROVED BY G. WALKER	DATE 12/11/23				

VST Vapor Systems Technologies, Inc.
 Springboro, Ohio 45066 www.vstthose.com



FILENAME: 5790-002 TITLE: GREEN MACHINE – GEN 3 SCALE: N/A



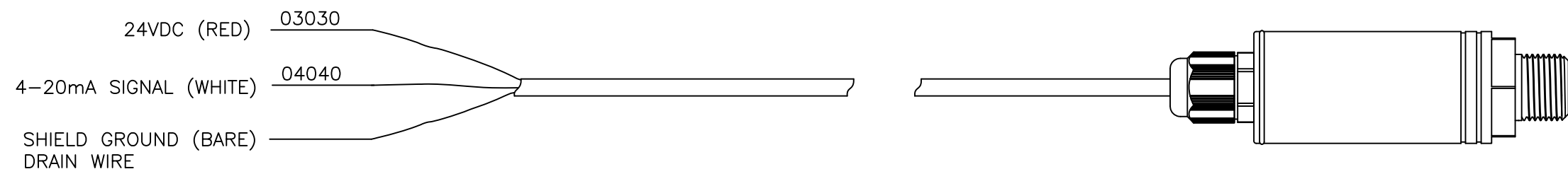
NOTES:

1. ALL CONNECTING WIRES AND THE PS SENSOR CABLE ARE PROVIDED BY THE CONTRACTOR.
2. BELDEN 88760 (OR EQUIVALENT).
3. SEE THE GREEN MACHINE INSTALLATION AND MAINTENANCE MANUAL FOR DETAILS.
4. ALL FIELD WIRING MUST MEET THE NEC AND NFPA CODE REQUIREMENTS.


DRAWN BY P. ELAM	DATE 12/11/23	TITLE INSTALLATION DRAWING GREEN MACHINE - GEN 3	DWG NO. 5790-002	REV P
CHECKED BY R. GRANTHAM	DATE 12/11/23			
APPROVED BY G. WALKER	DATE 12/11/23			
Vapor Systems Technologies, Inc. Springboro, Ohio 45066 www.vsthoose.com		3RD ANGLE PROJECTION	THE INFORMATION ON THIS DOCUMENT IS PROPRIETARY AND CONFIDENTIAL. IT MAY BE USED ONLY FOR THE PURPOSE FOR WHICH VAPOR SYSTEMS TECHNOLOGIES, INC. PROVIDED IT.	
		SHEET NO. 7 OF 10		

ECN	DESCRIPTION	RELEASED
2503	PER EC	12/12/23

FILENAME: 5790-002 TITLE: GREEN MACHINE - GEN 3 SCALE: N/A



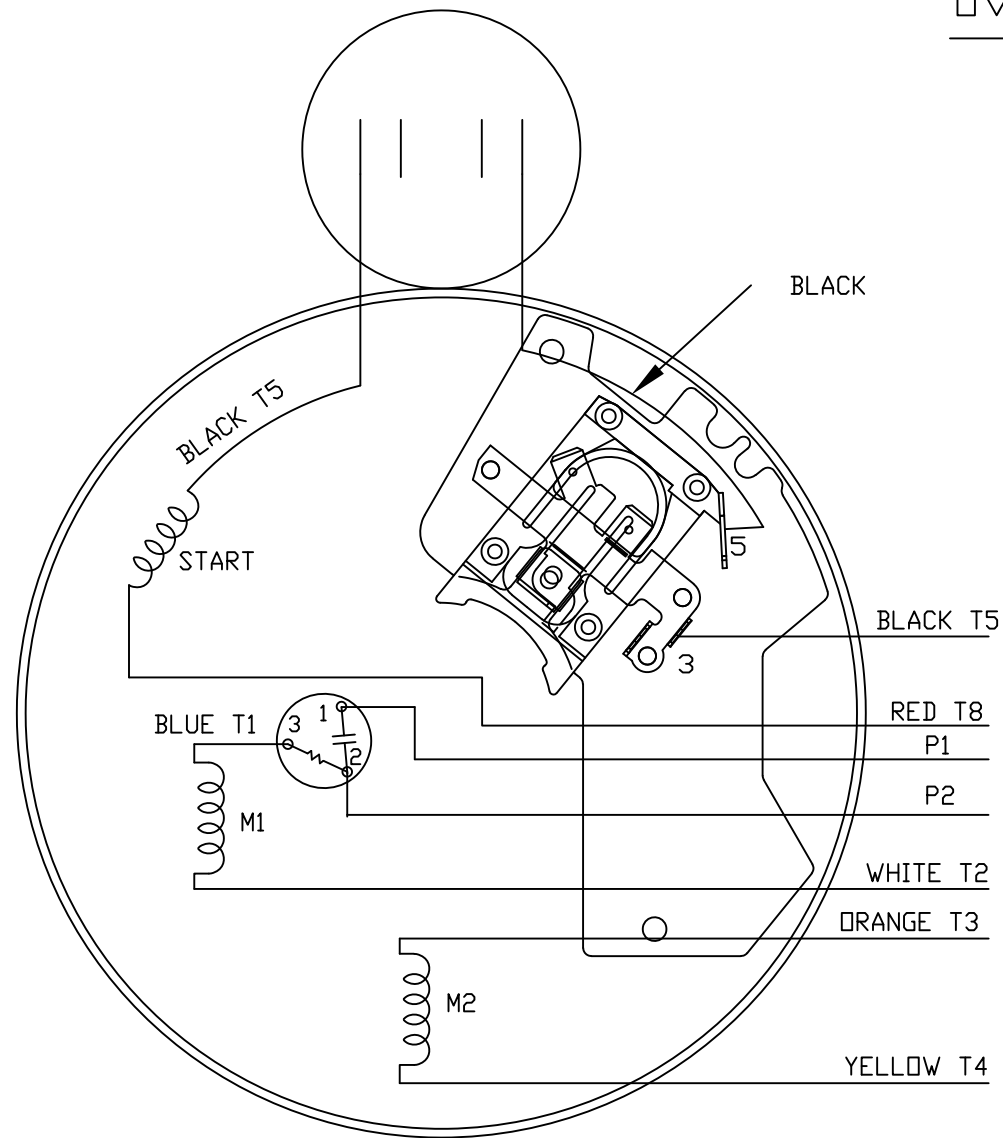
ECN	DESCRIPTION	RELEASED
2503	PER EC	12/12/23

DRAWN BY P. ELAM	DATE 12/11/23	TITLE INSTALLATION DRAWING GREEN MACHINE - GEN 3	DWG NO. 5790-002	REV P
CHECKED BY R. GRANTHAM	DATE 12/11/23			
APPROVED BY G. WALKER	DATE 12/11/23			
 Vapor Systems Technologies, Inc. Springboro, Ohio 45066 www.vsthose.com		 3RD ANGLE PROJECTION	THE INFORMATION ON THIS DOCUMENT IS PROPRIETARY AND CONFIDENTIAL. IT MAY BE USED ONLY FOR THE PURPOSE FOR WHICH VAPOR SYSTEMS TECHNOLOGIES, INC. PROVIDED IT.	SHEET NO. 8 OF 10

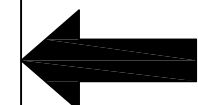
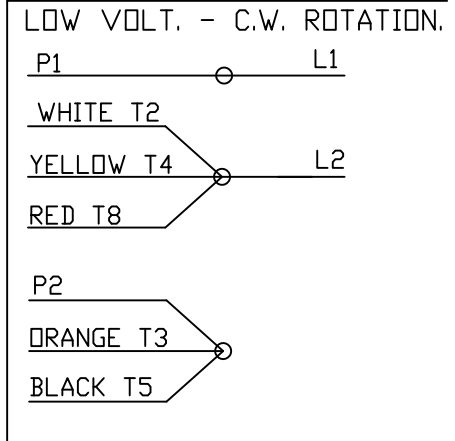
FILENAME: 5790-002 TITLE: GREEN MACHINE - GEN 3 SCALE: N/A

THERMALLY PROTECTED

DUAL VOLTAGE
CAPACITOR START
OVERLOAD SELECT ROT.



NORMAL ROTATION FOR GM IS C.W.



CAUTION:
FOR GREEN MACHINE WIRING MOTOR
REPLACEMENT.

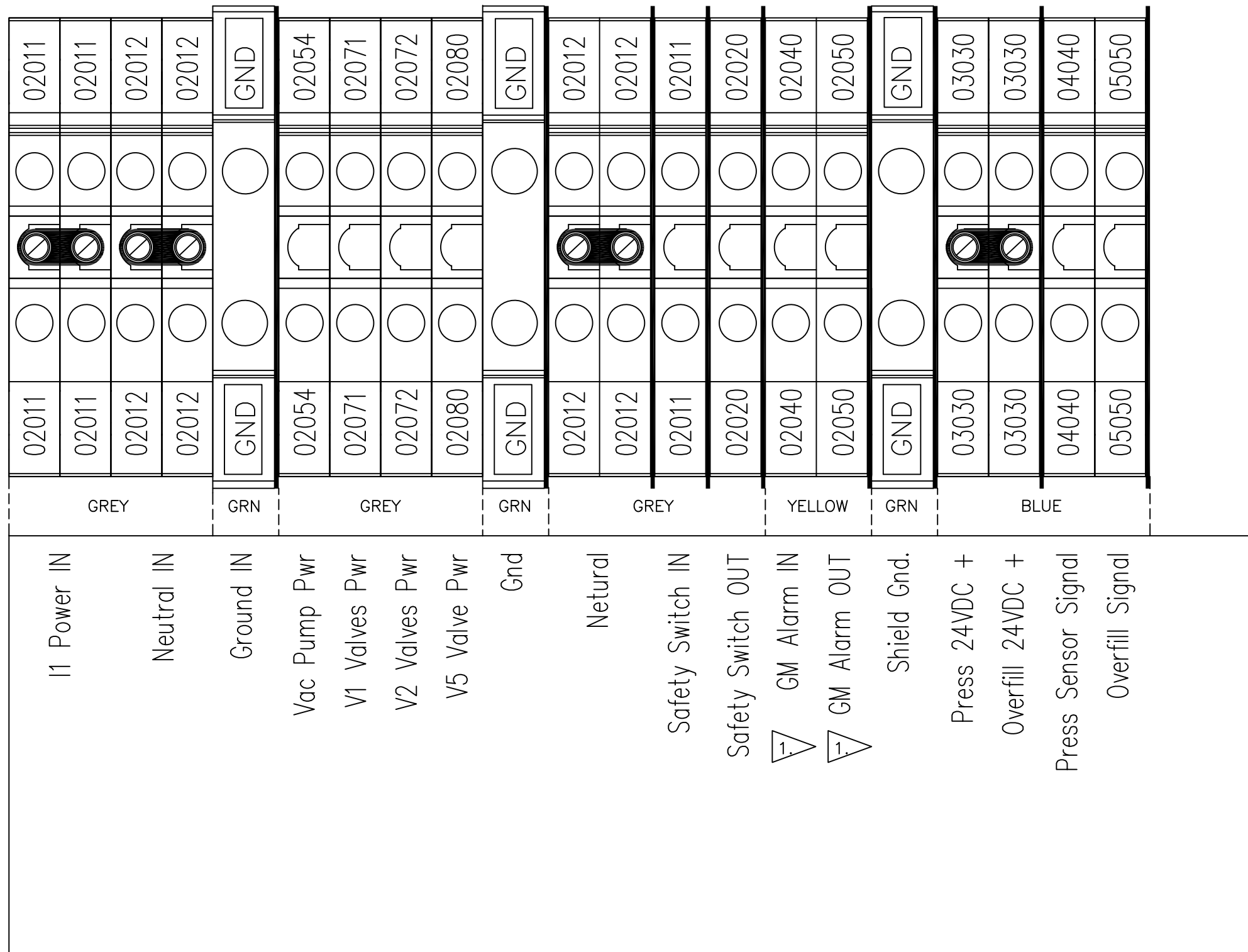
				TOLERANCES UNLESS SPECIFIED		ELECTRIC MOTORS GEARMOTORS AND DRIVES	DRAWN
				DEC.	INCHES		CHK
			.X	±.1			APPD
			.XX	±.02			SCALE 5=8
			.XXX	±.005			REF
			.XXXX	±.0005		MAT'L.	FMF
NO.	REVISION	BY & DATE	CHK	ANG	± 7'30"	FINISH	PREV
			RFP			CAD FILE	SIZE
			DIST				DRAWING NO. PAGE OF REV.
							A 1

DRAWN BY P. ELAM	DATE 12/11/23	TITLE INSTALLATION DRAWING GREEN MACHINE - GEN 3	DWG NO. 5790-002	REV P
CHECKED BY R. GRANTHAM	DATE 12/11/23			
APPROVED BY G. WALKER	DATE 12/11/23			
Vapor Systems Technologies, Inc. Springboro, Ohio 45066 www.vstthose.com		3RD ANGLE PROJECTION	THE INFORMATION ON THIS DOCUMENT IS PROPRIETARY AND CONFIDENTIAL. IT MAY BE USED ONLY FOR THE PURPOSE FOR WHICH VAPOR SYSTEMS TECHNOLOGIES, INC. PROVIDED IT.	
			SHEET NO. 9 OF 10	

ECN	DESCRIPTION	RELEASED
2503	PER EC	12/12/23

FILENAME: 5790-002 TITLE: GREEN MACHINE - GEN 3 SCALE: N/A

CONTROL PANEL WIRING CONNECTIONS



NOTES:

1. ITEM IS FOR CS8A AND CS12A GREEN MACHINES ONLY.

FIELD WIRING CONNECTIONS

ECN	DESCRIPTION	RELEASED
2503	PER EC	12/12/23

DRAWN BY P. ELAM	DATE 12/11/23
CHECKED BY R. GRANTHAM	DATE 12/11/23
APPROVED BY G. WALKER	DATE 12/11/23

TITLE INSTALLATION DRAWING GREEN MACHINE - GEN 3	
Vapor Systems Technologies, Inc. Springboro, Ohio 45066 www.vstthose.com	

DWG NO. 5790-002	REV P
<small>THE INFORMATION ON THIS DOCUMENT IS PROPRIETARY AND CONFIDENTIAL. IT MAY BE USED ONLY FOR THE PURPOSE FOR WHICH VAPOR SYSTEMS TECHNOLOGIES, INC. PROVIDED IT.</small>	
SHEET NO. 10 OF 10	