

**Executive Orders VR-203-Z and 204-Z
Balance Phase II EVR Systems**

EXHIBIT 4

Required Items in Conducting TP-201.3

The instructions below are required when conducting TP-201.3 for the Balance Phase II EVR system with the VST ECS Membrane Processor, VST Green Machine Processor, the Veeder-Root Vapor Polisher, Franklin Fueling Systems Clean Air Separator, and Hirt VCS 100 Processor. The tester shall document that each step was followed as indicated below and shall include the page of this Exhibit with the submission of TP-201.3 test results. **See footnote regarding testing of pressure/vacuum vent valve¹**. Note that districts may require use of an alternate form to meet these requirements, provided the alternate form includes the same minimum parameters.

VST ECS Membrane or Green Machine Processor Installed

1. Prior to conducting TP-201.3, the ball valves on the VST Membrane Processor or VST Green Machine Processor shall be open, as shown in Figure 1A and Figure 1B.
2. The VST Membrane Processor or VST Green Machine Processor shall be turned off. Refer to the ARB Approved Installation, Operation, and Maintenance Manual for instructions on turning off the processor. Not turning off the processor will bias the test toward failure.

Note: If Veeder-Root's "Maintenance Tracker" is installed and enabled, access to the "diagnostic mode" and "set-up mode" of the TLS Console is prohibited unless a Maintenance Tracker Technician Key or personal computer equipped with Veeder-Root's ISD Setup Tool Software Version 1.09 or higher is made available. Maintenance Tracker is an optional security device designed to prevent unauthorized tampering and clearing of Veeder-Root tank monitoring and ISD alarms. Maintenance Tracker resides within the TLS console and when enabled, a message will appear on the two line display of the TLS console. For additional instructions on how to access the desired parameters to complete this test procedure, see Exhibit 18; "Accessing PMC and ISD Parameters at Gasoline Dispensing Facilities (GDFs) with Veeder-Root's "Maintenance Tracker" Security Feature Installed & Enabled".

3. After conducting TP-201.3, leave the three ball valves in the open locked position. Turn the VST Membrane Processor or VST Green Machine Processor back on.

¹ **Note: If the P/V vent valve is required to be tested by the local District, then the P/V vent valve shall be tested prior to conducting Exhibit 4**

Required Steps	Verification (please circle)
1. All ball valves are in the open locked position before conducting TP-201.3?	Yes No
2. Processor is turned off before conducting TP-201.3?	Yes No
3. All ball valves in the open locked position and Processor is turned back on after conducting TP-201.3?	Yes No

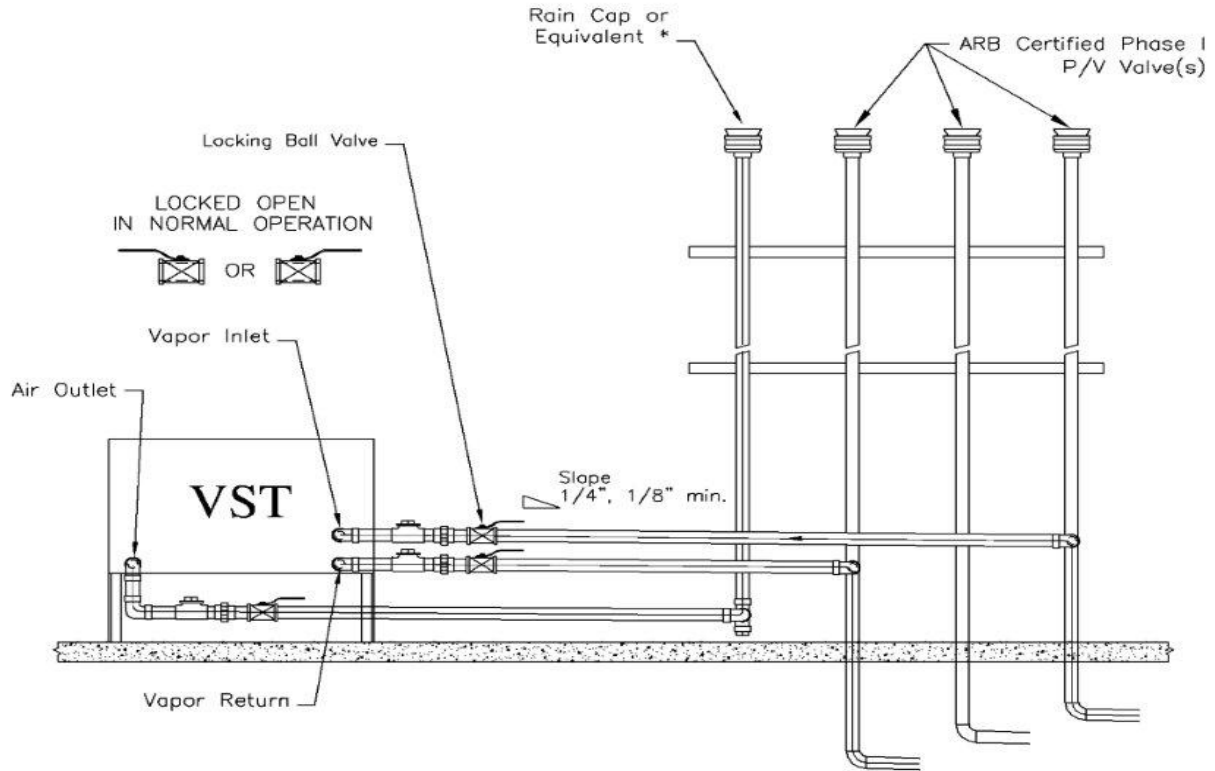
Test Company: _____ Facility Name: _____

Print Name (Technician) Signature Date

Technician Certification Number and Expiration Date
(ICC or District Training Certification, as applicable)

Figure 1A

Configuration of VST Membrane Processor to Conduct TP-201.3

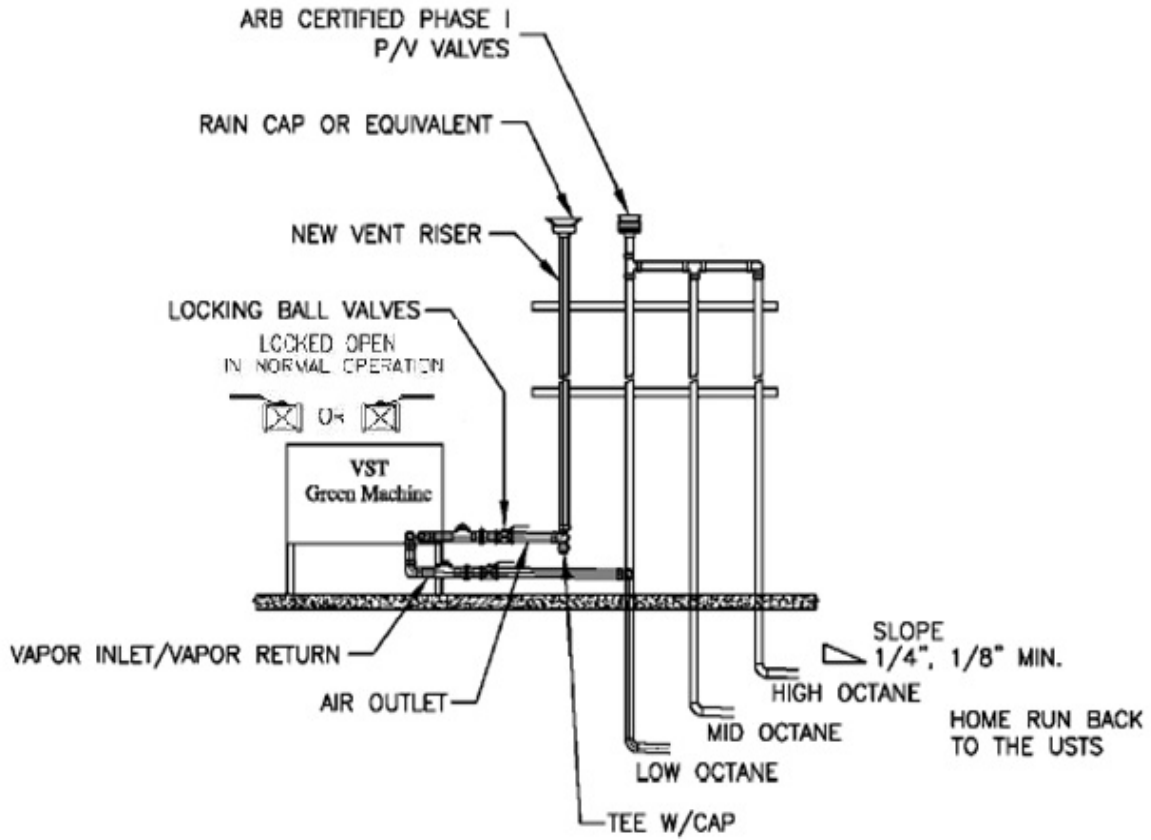


CAUTION: THE HANDLES ON THE LOCKING BALL VALVES MUST NOT BE REMOVED

* If a P/V valve is used, the internal components MUST be removed to allow open venting to the atmosphere.

Figure 1B

Configuration of VST Green Machine Processor to Conduct TP-201.3



Veeder-Root Vapor Polisher Installed

1. Prior to conducting TP-201.3, the ball valve on the inlet of the Veeder-Root Vapor Polisher shall be open, as shown in Figure 2. At the TLS Console, manually close the processor vapor valve in the PMC Diagnostic menu as described in VR-203 IOM Section 15; PMC Diagnostic Menus, or VR-204 IOM Section 12; PMC Diagnostic Menus.

Note: If Veeder-Root's "Maintenance Tracker" is installed and enabled, access to the "diagnostic mode" and "set-up mode" of the TLS Console is prohibited unless a Maintenance Tracker Technician Key or personal computer equipped with Veeder-Root's ISD Setup Tool Software Version 1.09 or higher is made available. Maintenance Tracker is an optional security device designed to prevent unauthorized tampering and clearing of Veeder-Root tank monitoring and ISD alarms. Maintenance Tracker resides within the TLS console and when enabled, a message will appear on the two line display of the TLS console. For additional instructions on how to access the desired parameters to complete this test procedure, see Exhibit 18; "Accessing PMC and ISD Parameters at Gasoline Dispensing Facilities (GDFs) with Veeder-Root's "Maintenance Tracker" Security Feature Installed & Enabled".

2. After conducting TP-201.3, enter the PMC Diagnostic Menu at the TLS Console and set the vapor valve to automatic mode.
3. The ball valve on the inlet of the Veeder-Root Vapor Polisher shall remain opened and locked.

Required Steps	Verification (please circle)
1. Inlet ball valve is open and vapor valve is closed before conducting TP-201.3?	Yes No
2. Vapor valve is in the automatic mode after conducting TP-201.3?	Yes No
3. Inlet ball valve is in the open locked position after conducting TP-201.3?	Yes No

Test Company: _____ Facility Name: _____

Print Name (Technician)

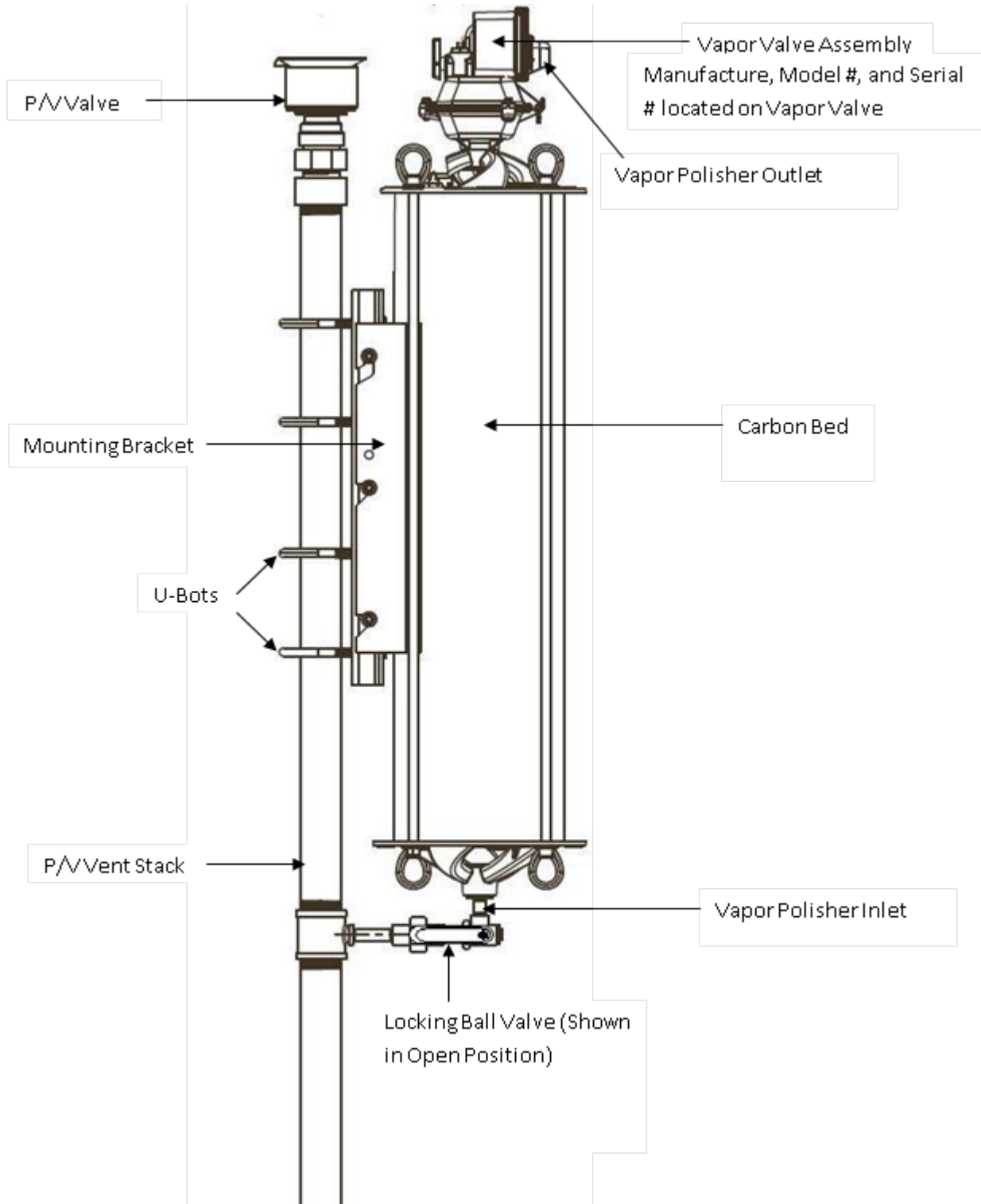
Signature

Date

Technician Certification Number and Expiration Date
(ICC or District Training Certification, as applicable)

Figure 2

Configuration of Veeder-Root Vapor Polisher to Conduct TP-201.3



Franklin Fueling System Clean Air Separator Installed

1. Prior to conducting TP-201.3, all four ball valves on the CAS shall be closed, as shown in Figure 3 or Figure 3H, to isolate it from the UST system to permit the pressurization of the UST system.
2. After conducting TP-201.3, the four ball valves on the Healy Clean Air Separator (CAS) shall be locked in their normal operating positions as shown in Figure 2B-16 or Figure 2B-16H, Exhibit 2.

Required Steps	Verification (please circle)
1. All four CAS ball valves closed before conducting TP-201.3	Yes No
2. All four CAS ball valves in normal operating positions after conducting TP-201.3.	Yes No

Test Company: _____ Facility Name: _____

Print Name (Technician)

Signature

Date

Technician Certification Number and Expiration Date
(ICC or District Training Certification, as applicable)

Figure 3

Configuration of Healy Clean Air Separator to Conduct TP-201.3

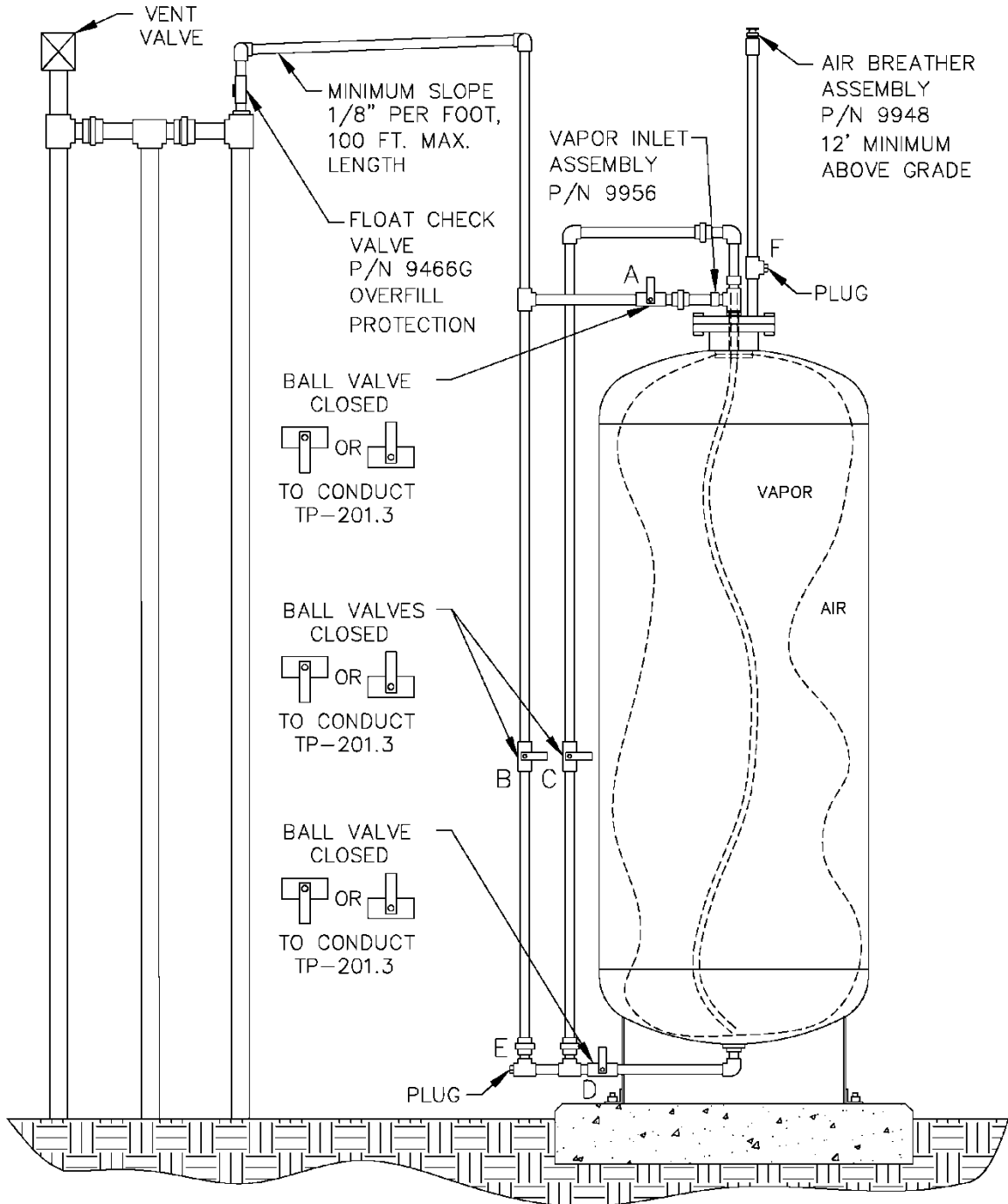
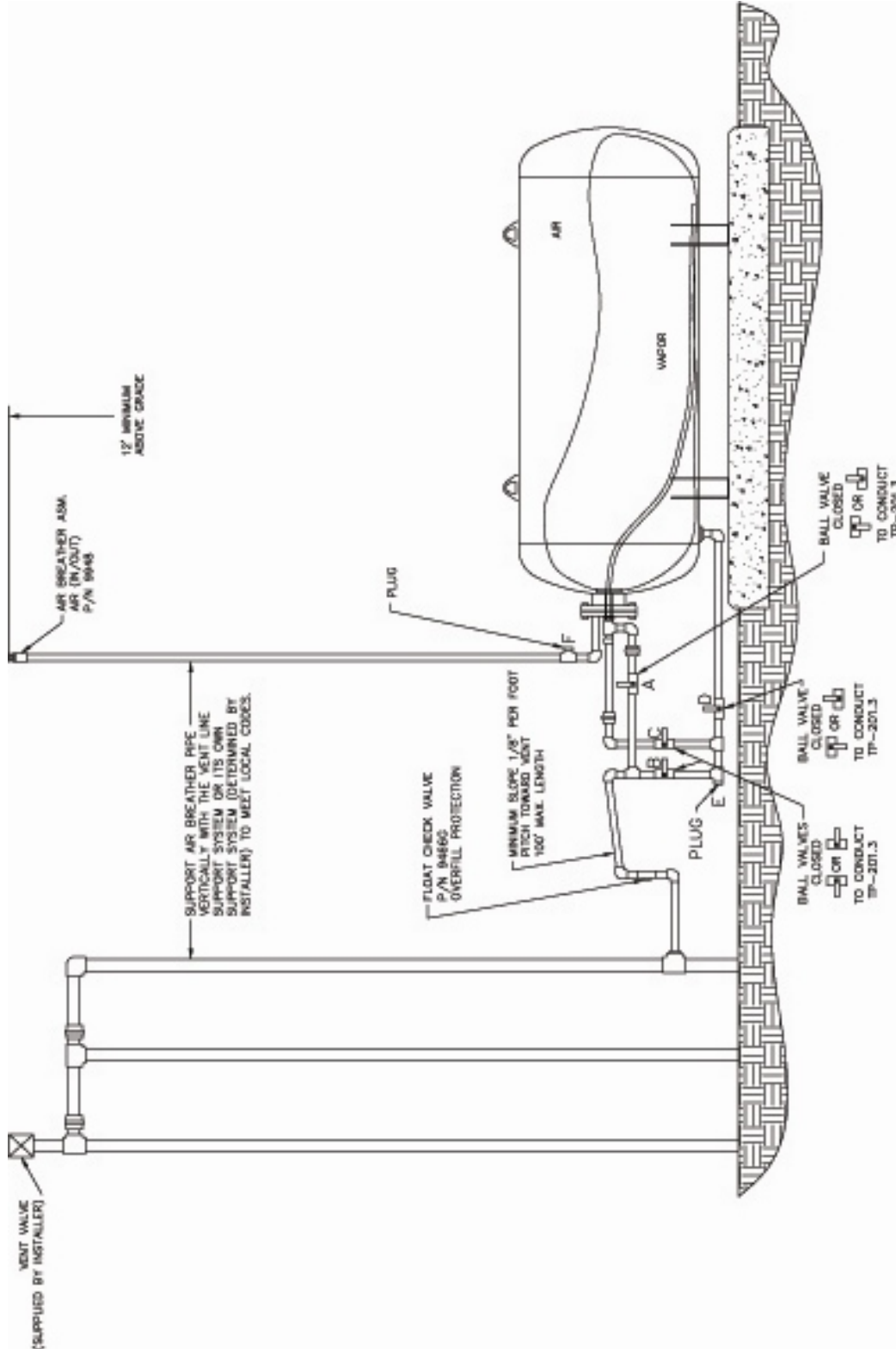


Figure 3H

Configuration of Healy Clean Air Separator to Conduct TP-201.3



Hirt VCS 100 Thermal Oxidizer Installed

1. Prior to conducting TP-201.3, the ball valve on the inlet of the Hirt VCS 100 processor shall be Open (Open to UST Ullage), as shown in Figure 4. At the Hirt Indicator Panel, turn the Power Switch to the "Off" position.
2. After conducting TP-201.3, turn the Power Switch to the "On" position.
3. The ball valve on the inlet of the Hirt VCS 100 processor shall remain opened and locked.

Required Steps	Verification (please circle)	
1. Inlet ball valve is open and Power Switch is in "Off" position before conducting TP-201.3?	Yes	No
2. Power Switch is in "On" position after conducting TP-201.3?	Yes	No
3. Inlet ball valve is in the open locked position after conducting TP-201.3?	Yes	No

Test Company: _____ Facility Name: _____

Print Name (Technician)

Signature

Date

Technician Certification Number and Expiration Date
(ICC or District Training Certification, as applicable)

Note: The Hirt Processor Operability Test (if required by the local District), shall be performed prior to conducting Exhibit 4.

Figure 4

Configuration of Hirt VCS 100 Thermal Oxidizer to Conduct TP-201.3

