

**Executive Order VR-202-Z  
Assist Phase II EVR System Including  
In-Station Diagnostic (ISD) Systems**

**Exhibit 1**

**SECTION I  
Part 1 - Equipment List**

<b><u>Component</u></b>	<b><u>Manufacturer/Model</u></b>
<b>Nozzle</b>	Healy Model 900 (Figures 1-1 and 1-2)  Note: Nozzle can have either a two position or three position hold open clip (see Figure 1-1)
<b>Processor (Only One Per GDF Installation)</b>	
<b>Active</b>	ARID Technologies Model AT-150 Permeator <sup>1</sup> (Figure 1-19)
<b>Passive</b>	Healy Model 9961 Clean Air Separator (Figures 1-3 and 1-4) Healy Model 9961H Clean Air Separator (Figures 1-3H and 1-4H)
<b>Inverted Coaxial Hoses</b>	Healy Model 75 Series Low Permeation Hose (3/4" I.D.) (Figure 1-5a) 75W-XXX-YZYZ-LP Where: W = hose color (varies) Note: Product label will have an "X" in this position for all hose colors XXX = hose length First two digits = length in feet Last digit = length in tenths of foot Note: Product label will have "XXX" in this position for hose length Y = hose end type S = Swivel End F = Fixed End Z = thread type 2 = Healy Straight Thread 3 = Metric Thread 4 = Balance-Type Thread

ContiTech<sup>2</sup> Futura HVR Series Low Permeation Hose (3/4" I.D.)

---

<sup>1</sup> ARID Permeator must be installed in conjunction with Veeder-Root ISD software version 1.06

<sup>2</sup> Veyance brand name has changed to ContiTech.

Component	Manufacturer/Model
-----------	--------------------

**Inverted Coaxial Hoses  
(continued)**

(Figure 1-5b)  
532-33W-X24-0YYZZ

Where:

W = hose color (varies)

X = fitting combination

2 = S2S2

3 = S3F2

4 = S4F2

5 = F2F2

6 = F3F2

7 = S2F2

8 = S4S2

Y = hose length in feet

Z = hose length in tenths of feet

VST V34EV ENVIRO-LOC™ Series Low Permeation Hose  
(3/4" I.D.)

(Figure 1-5c)

V34EV-XXX-VSVS or V34EV-XXX-HSHS or  
V34EV-XXX-HSVS or V34EV-XXX-BRVS or  
V34EV-XXX-BRHS

Where:

XXX = Length in inches (e.g. 096 = 96" length)

VSVS = M34 thread / 2 swivels

HSHS = 1-1/4" - 18 Straight Thread / 2 swivels

HSVS = 1-1/4" - 18 Straight Thread Swivel / M34  
Thread Swivel

BRVS = 1-7/8" - 12 Balance Thread Rigid / M34  
Thread Swivel

BRHS = 1-7/8" - 12 Balance Thread Rigid / 1-1/4" - 18  
Straight Thread Swivel

**Dispenser Conversion  
Adaptors (Optional)<sup>3</sup>**

Healy Model CX6-A (Required on Gasboy, Global Century,  
Reliance and Select Dispensers)

Healy Model CX6-VV1A\*

Healy Model CX6-VV2A\*

Healy Model CX6-VV3A

EBW Model 303-301-01

(Figures 1-8 and 1-9)

<sup>3</sup> If optional components are installed or required by regulations of other agencies, the components and model numbers manufactured by Franklin Fueling Systems may be used to facilitate installation. The use of dispenser conversion adaptors not listed above may be used to facilitate installation provided that all applicable performance standards are met.

**Component****Manufacturer / Model**

Note: Items marked with asterisk (\*) are no longer manufactured, but may be used for dispenser retrofit.

**Re-connectable  
Breakaway Coupling**

Healy Model 8701VV  
(Figure 1-10a)  
Optional Covers P/N 761 and P/N 762  
Healy Model 807 Swivel  
(Figure 1-10b)  
Catlow Model CTMCA  
(Figure 1-10c)  
VST Model VST-HEVR-SBK  
(Figure 1-10d)  
VST Model VST-ISVR-SBK (M34 type)  
(Figure 1-10e)

**Flow Limiter<sup>4</sup>**

Healy Model 1301  
(Figures 1-11 and 1-12)  
Healy Model 1302  
(Figures 1-13 and 1-14)

**Dispenser Vacuum  
Pump**

Healy Model VP1000 Vacuum Pump  
Healy/Franklin Electric Model VP1000 Vacuum Pump  
(Figure 1-15)

**Control Module**

Healy Model MC 100  
(Figure 1-16)

**Dispensers**

**Note:** Unihose dispensers shall be required unless as provided by Section 4.10 of CP-201.

Gilbarco Encore Series<sup>5</sup>

Healy Kit VP1000R<sup>6</sup> or VP1000S<sup>7</sup>

<u>Model #'s</u>	<u>Description:</u>
NA0	Encore 1 Grade Multi-hose
NA1	Encore 2 Grade Multi-hose
NA2	Encore 3 Grade Multi-hose
NA3	Encore 4 Grade Multi-hose
NG0	Encore 3 Grade Single-Hose
NG1	Encore 4 Grade Single-Hose plus 1

<sup>4</sup> Flow limiter is mandatory when the flow rate is greater than 10.0 gallons per minute to comply with US EPA requirement. 1301 is used with 8701VV breakaway. 1302 is used with 807 swivel breakaway.

<sup>5</sup> Encore Dispensers factory equipped with Healy VP1000 will now have an angled (~13°) outlet casting.

<sup>6</sup> Kit used to install Healy components in Encore Balance series dispenser. VP1000R previously sold as equivalent to VP1000L.

<sup>7</sup> Kit used to install Healy components in Encore Assist series dispenser. VP1000S previously sold as equivalent to VP1000K.

**Component****Manufacturer / Model****Dispensers  
(continued)**

NG4	Encore 2 Grade Single-Hose
NJ0	Multi-hose Blender
NJ2	Multi-hose Blender plus

NL0 NL1 NL2 NL3	Encore X+1 Blender
NN0 NN1 NN2 NN3	Encore X+0 Blender

GasBoy 9800 Series (Gilbarco)

Healy Kit VP1000M<sup>8</sup>

<u>Model #'s</u>	<u>Description:</u>
------------------	---------------------

9852 - Suffix1 Suffix2

9853 - Suffix1 Suffix2

Where:

Suffix1 can be:

- |     |   |   |
|-----|---|---|
| A   | = | Factory fabrication and assembly modifications to chassis |
| HC  | = | High capacity model                                       |
| M   | = | Manifold supply inlet at the pumping unit inlet           |
| TW1 | = | Manifold supply inlet                                     |
| TW2 | = | Two individual supply inlets                              |
| X   | = | Dispenser supplied by a submersible pump                  |
| Q   | = | Utilizes an alternate meter and pump                      |

Suffix2 can be:

- |    |   |   |
|----|---|---|
| B  | = | Battery back-up for electronics   |
| C  | = | Pump interface  |
| D  | = | DC conduit and junction box   |
| F  | = | Fuel filter   |
| G  | = | Imperial gallons registration   |
| H  | = | High hose retriever   |
| I  | = | Internal hose retriever   |
| L  | = | Lighted panel   |
| N  | = | Equipped to handle a long spout nozzle                                    |
| P  | = | Satellite dispenser as part of the unit (for connection to a master pump) |
| PP | = | Solenoid valves (optional only on pumps)                                  |
| R  | = | Liters registration   |
| S  | = | Piping for connection to satellite  |

<sup>8</sup> Kit used to install Healy components in GasBoy 9800 series dispenser.

**Component****Manufacturer / Model****Dispensers**

(continued)

SS	=	Stainless steel panels
SSA	=	Equipped with stainless steel doors
SSTS	=	Stainless steel tops and doors
T	=	Mechanical totalizer
U	=	Submersible drive relays
W	=	Heater
Y	=	Vapor recovery ready
Z	=	Front Load Nozzle
2	=	230 VAC/60hz operation
3	=	230 VAC/60hz operation with 380VAC/60hz motor (available on all models except 9852Q)
25	=	230VAC/50hz operation
35	=	230VAC/50hz operation with 380VAC/50hz motor
4	=	RS-485 interface
5	=	50hz operation
7	=	Electronic totalizer activator on both sides
9	=	Provided with 900-R Series TopKat

## Wayne Harmony Series

Healy Kit VP1000N<sup>9</sup> or VP1000Q<sup>10</sup>Model #'s                      Description:

prefix/VXXXYZ/suffix

Where:

prefix = Any number or letter (with a possible "H" for Harmony)

V = Vista

X = Any digit

Y = D or P

D = remote dispenser type for delivering fuel

P = suction pump for delivering fuel

Z = 1, 3, 4, 5, 6, 7 or 8

suffix = D1 or D2, and any combination of number(s) or letter(s)

<sup>9</sup> Kit used to install Healy components to Harmony Balance series dispenser.<sup>10</sup> Kit used to install Healy components to Harmony Assist series dispenser.

**Component****Manufacturer / Model****Dispensers**  
(continued)

## Wayne Ovation Series

Healy Kit VP1000P<sup>11</sup>

<u>Model #'s</u>	<u>Description:</u>
XYZ/ABC	
Where:	
X	= B or R B = Blended Dispenser R = Regular Dispenser
Y	= Number of hoses per side 1 = one hose per side 2 = two hoses per side
Z	= Number of inlets per side 1 = one inlet 2 = two inlets
A	= Number of grades 1 = one grade 2 = two grades 3 = three grades 4 = four grades 5 = five grades
B	= Number of sides 1 = one side 2 = two sides
C	= Number of columns 1 = one column 2 = two columns

---

<sup>11</sup> Kit used to install Healy components to Ovation Balance or Assist series dispenser. VP1000P previously sold as equivalent to VP1000C.

**Component****Manufacturer / Model****Dispensers****(continued)**

## Wayne Vista Series

Healy Kit VP1000T<sup>12</sup> & VP1000V<sup>13</sup>**Model #'s**                      **Description:**

prefix/VXXXXYZ/suffix

Where:

Prefix = Any number or letter

V        = Vista

X        = Any digit

Y        = D or P

D = remote dispenser type for  
delivering fuel

P = suction pump for delivering fuel

Z        = 1, 3, 4, 5, 6, 7 or 8

Suffix = D1 or D2, and any combination of number(s)  
or letter(s)Wayne Global Century & Select Series<sup>14</sup>**Model #'s**                      **Description**

3/GABCDE/Suffix

Where:

A        = Model Series

2 = Global Century

7 = Select

B        = Cabinet Style

2 = Column Style

C        = Flow Rate Capacity

0 = Standard Flow

4 = Twin I, Dual Filters

<sup>12</sup> Kit used to install Healy components to 3V and 4V Vista series dispenser. VP1000T previously sold as equivalent to VP1000C.<sup>13</sup> Kit used to install Healy components to 1V and 2V Vista series dispenser. VP1000V previously sold as equivalent to VP1000F.<sup>14</sup> Dispenser configuration only available for purchase from Dresser Wayne. There is no Kit for retrofit of these dispenser types.

**Component****Manufacturer / Model****Dispensers**

(continued)

- D = Number of Hoses & Orientation  
 1 = Single, Island-Oriented  
 2 = Twin I, Island-Oriented  
 3 = Twin II, Island-Oriented  
 7 = Twin I, Lane-Oriented or  
 Single Side, Lane-Oriented  
 w/ "R" Suffix  
 8 = Twin II, Lane-Oriented
- E = Dispenser Type  
 D= Dispenser-Remote
- Suffix = Any combination of letters or numbers

Wayne Reliance Series<sup>15</sup>

Model #'s                      Description  
 /GABCDE/Suffix

Where:

- A = Model Series  
 5 = Reliance Mechanical Fleet – Pricing  
 6 = Reliance Mechanical Fleet – Volume  
 Only
- B = Cabinet Style  
 2 = Column Style
- C = Flow Rate Capacity  
 0 = Standard Flow
- D = Number of Hoses & Orientation  
 1 = Single, Island-Oriented  
 2 = Twin I, Island-Oriented  
 3 = Twin II, Island-Oriented
- E = Dispenser Type  
 D= Dispenser-Remote
- Suffix = Any combination of letters or numbers

<sup>15</sup> Dispenser configuration only available for purchase from Dresser Wayne. There is no Kit for retrofit of this dispenser type.



**Component**

**Manufacturer / Model**

**Dispensers**  
(continued)

FFS/Healy Universal Retrofit Manual<sup>16</sup>

- Healy Kits = VP1000A<sup>17</sup>
- = VP1000D<sup>18</sup>
- = VP1000G<sup>19</sup>
- = VP1000H<sup>20</sup>
- = VP1000J<sup>21</sup>
- = Z071V<sup>22</sup>
- = Z070E<sup>23</sup>
- = Z008<sup>24</sup>
- = Z009<sup>25</sup>

**TABLE 1**  
**Components Exempt from Identification**  
**Requirements**

Component Name	Manufacturer	Model Number
Dispenser Kit	Healy	VP1000A & VP1000B VP1000D VP1000G VP1000H VP1000J VP1000M VP1000N VP1000P VP1000Q VP1000R VP1000S VP1000T VP1000V Z008 Z009 Z070E Z071V

<sup>16</sup> Any dispenser not currently listed in Exhibit 1 can be upgraded to Healy EVR using one of the kits listed in this section.

<sup>17</sup> Kit contains Universal Wire Harness for use in any dispenser make or model. For use with any VAC or VDC solenoid valves. VP1000A previously sold as equivalent to VP1000B.

<sup>18</sup> Early Gilbarco Encore 300 Blender Dispensers – 120 VAC valves (mfg. before 04/2003).

<sup>19</sup> Wayne DL Non-Blender Dispensers – 120 VAC valves.

<sup>20</sup> Tokheim Premier C Blender Dispensers – 24 VDC valves.

<sup>21</sup> Early Tokheim Blender Dispensers – Combination 120 VAC & 24 VDC valves.

<sup>22</sup> Universal Vapor Kit.

<sup>23</sup> Universal Electrical Kit.

<sup>24</sup> Standard Low Profile Single Hose Dispenser Retrofit Kit.

<sup>25</sup> Standard Low Profile Dual Hose Dispenser Retrofit Kit.

**Component****Manufacturer / Model****Maintenance Tracker Kit  
(Optional)**

Veeder-Root 330020-546

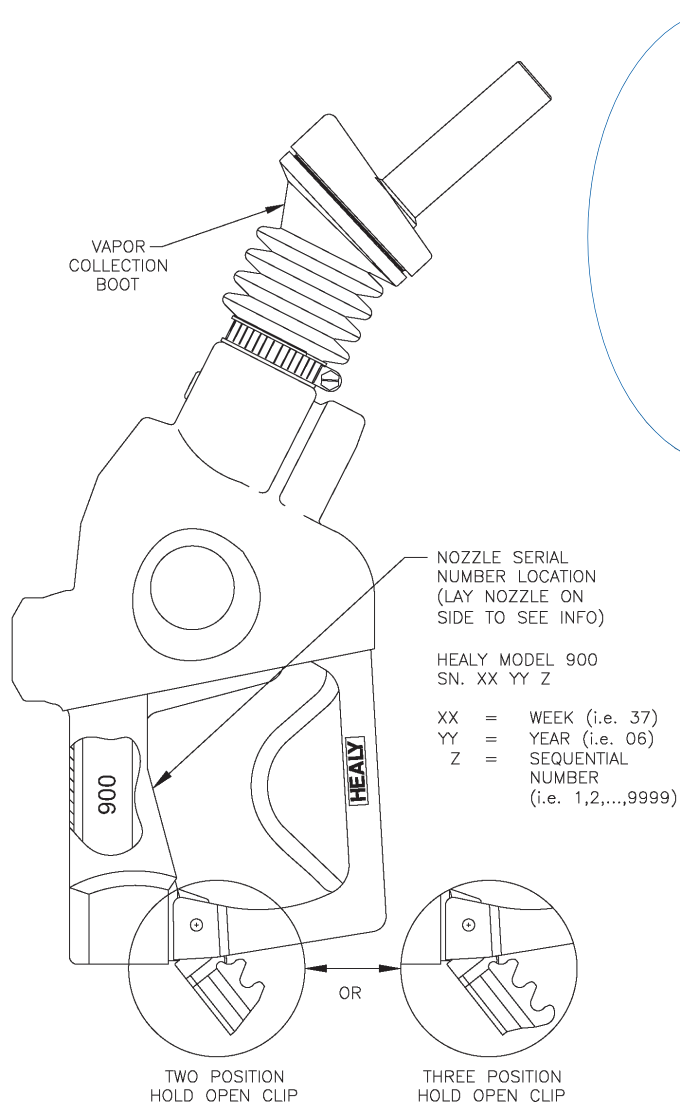
Consists of the following:

- Maintenance Tracker Technician Key (Figure 1-17)
- Interface Module RS232/485 Dual Module with DB9 Converter or Single Port Module with DB-25 converter (Figure 1-18)
- Manual

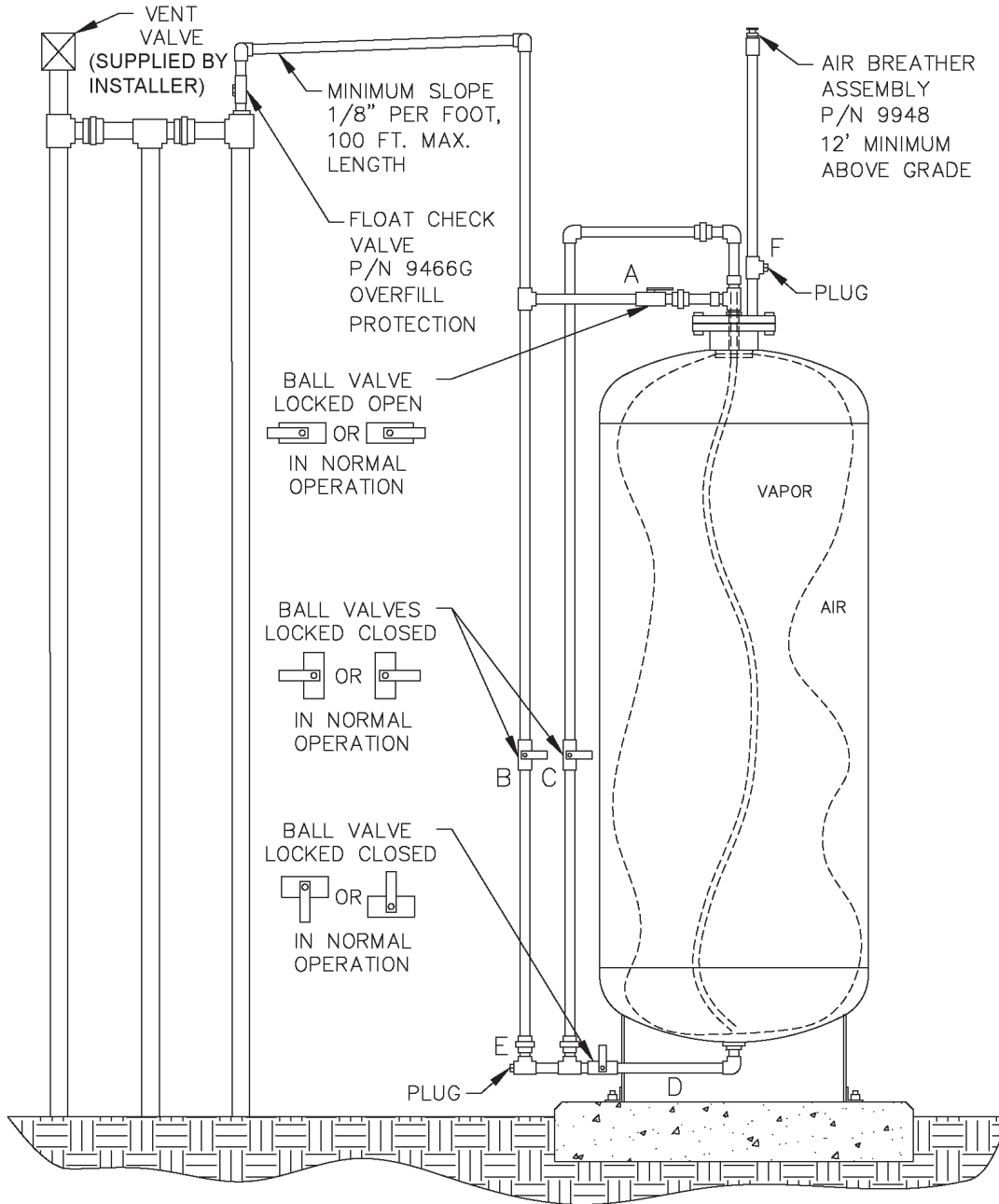
### Healy Model 900 EVR Nozzle

**FIGURE 1-1**  
(Drawing)

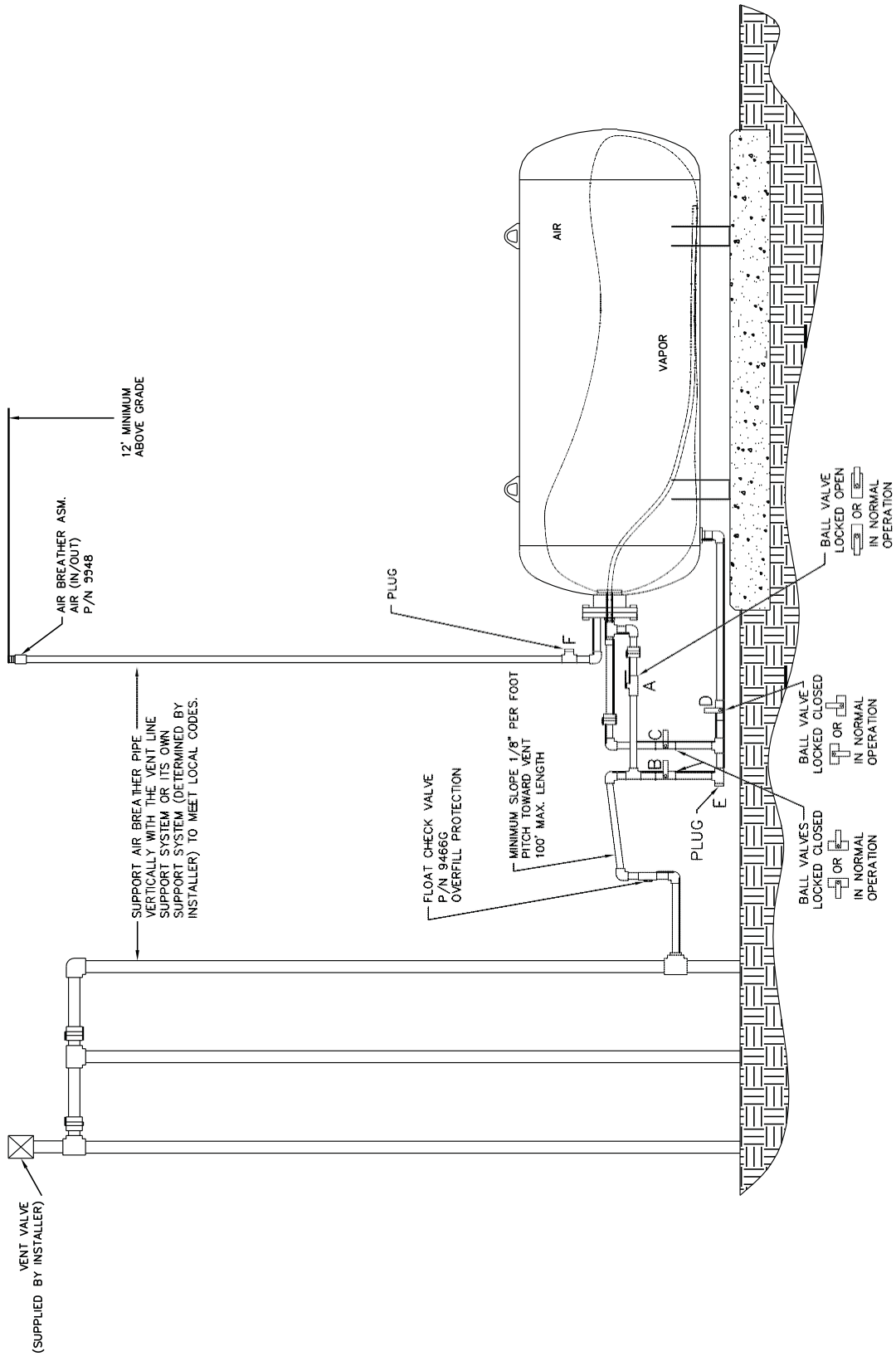
**FIGURE 1-2**  
(Image)



**FIGURE 1-3**  
**Healy Model 9961 Clean Air Separator**



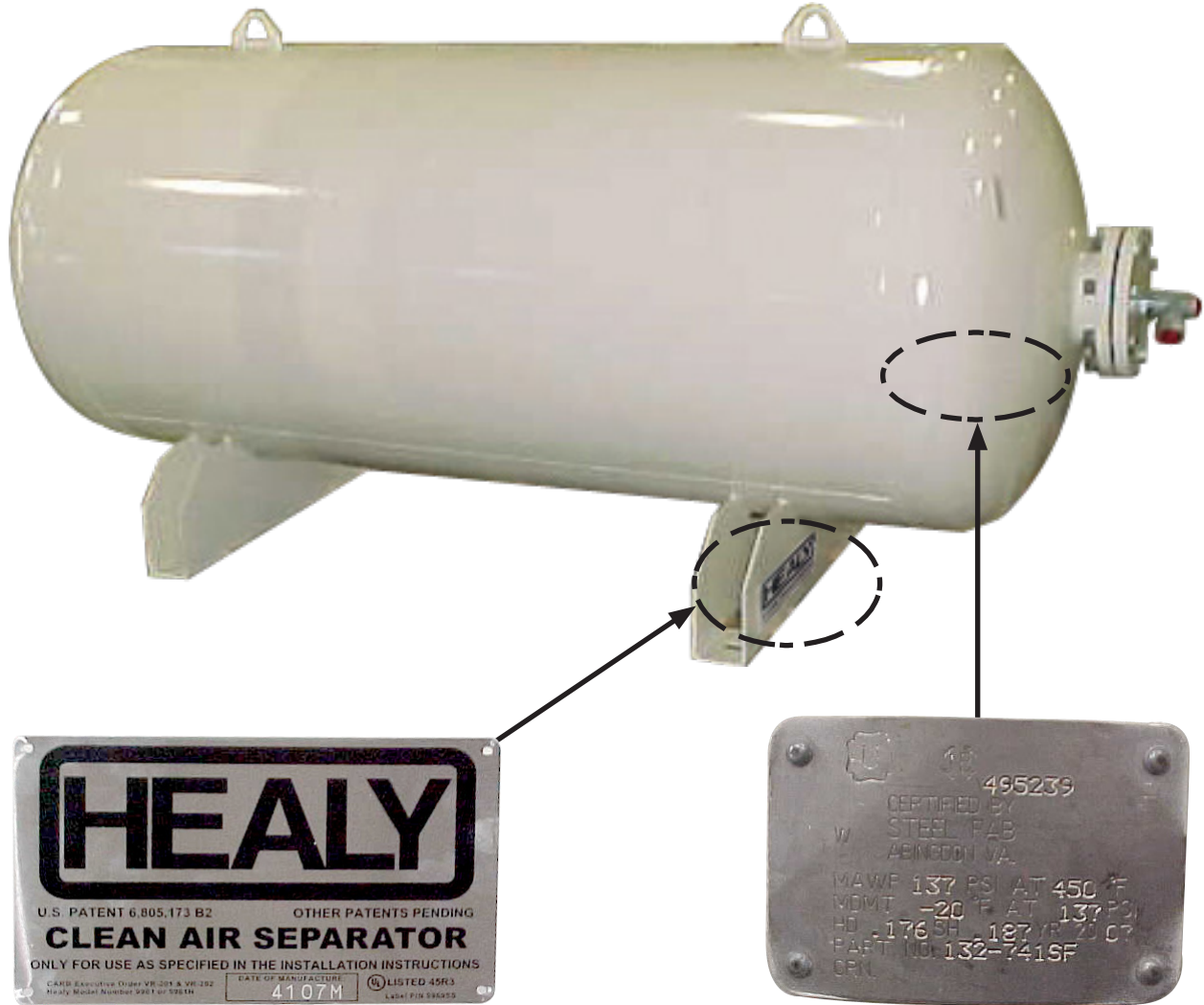
**FIGURE 1-3H**  
**Healy Model 9961H Clean Air Separator**



**FIGURE 1-4**  
**Healy Model 9961 Clean Air Separator**



**FIGURE 1-4H**  
**Healy Model 9961-H Clean Air Separator**



**Clean Air Separator Name Plate**

**Clean Air Separator Data Plate**  
(not pictured on far side of base)



**Figure 1-5a**  
**Healy Model 75 Series Low Permeation Hose Assembly**  
(hose and lay line colors may vary)





Figure 1-5b  
ContiTech Futura HVR Low Perm Series Hose  
(hose and lay line colors may vary)

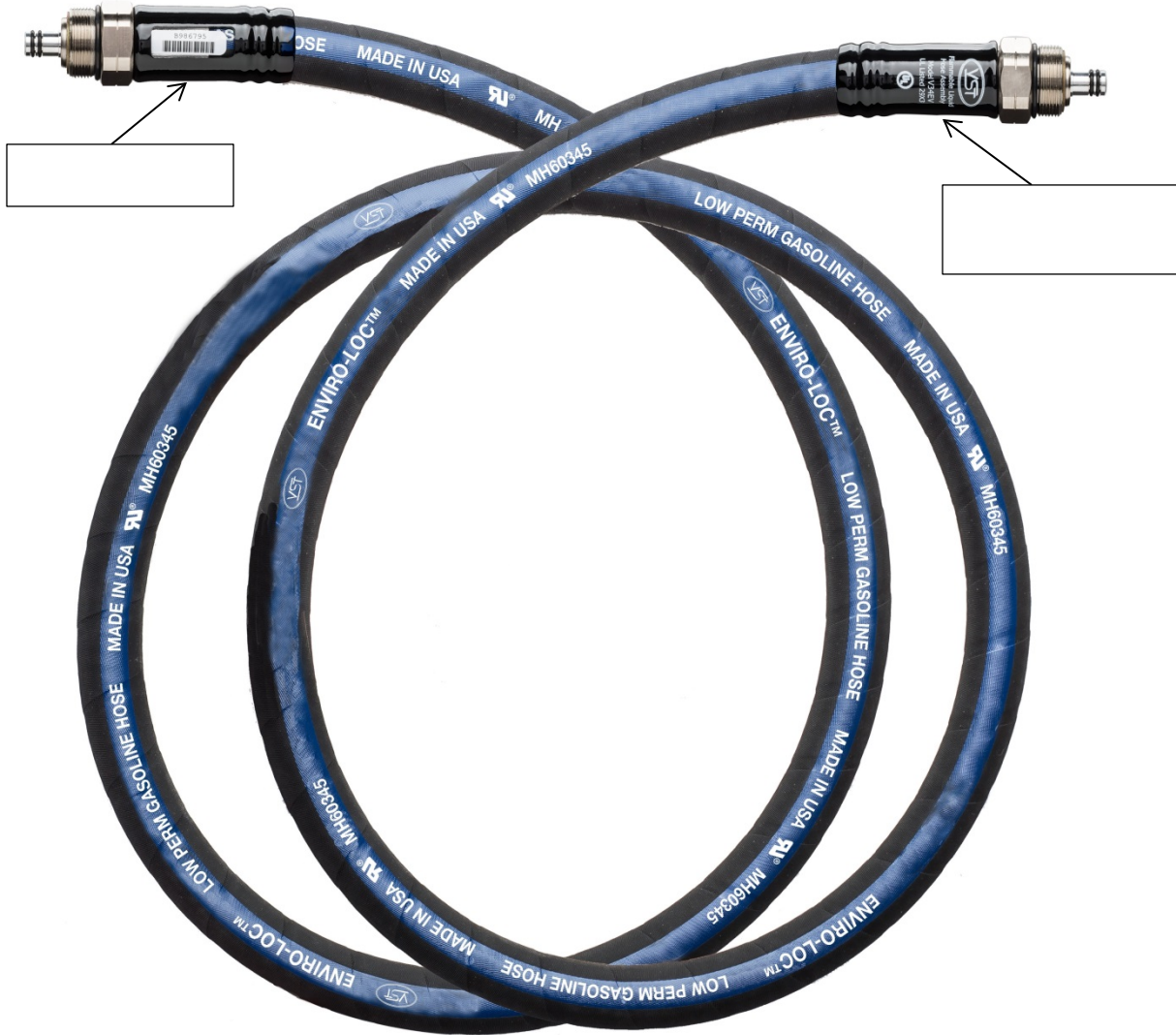
ContiTech  
559N Made in USA  
3/4"  
FLEXSTEEL<sup>®</sup> FUTURA<sup>™</sup> HVR  
Low Perm (10g/m<sup>2</sup>/Day) Gasoline Hose



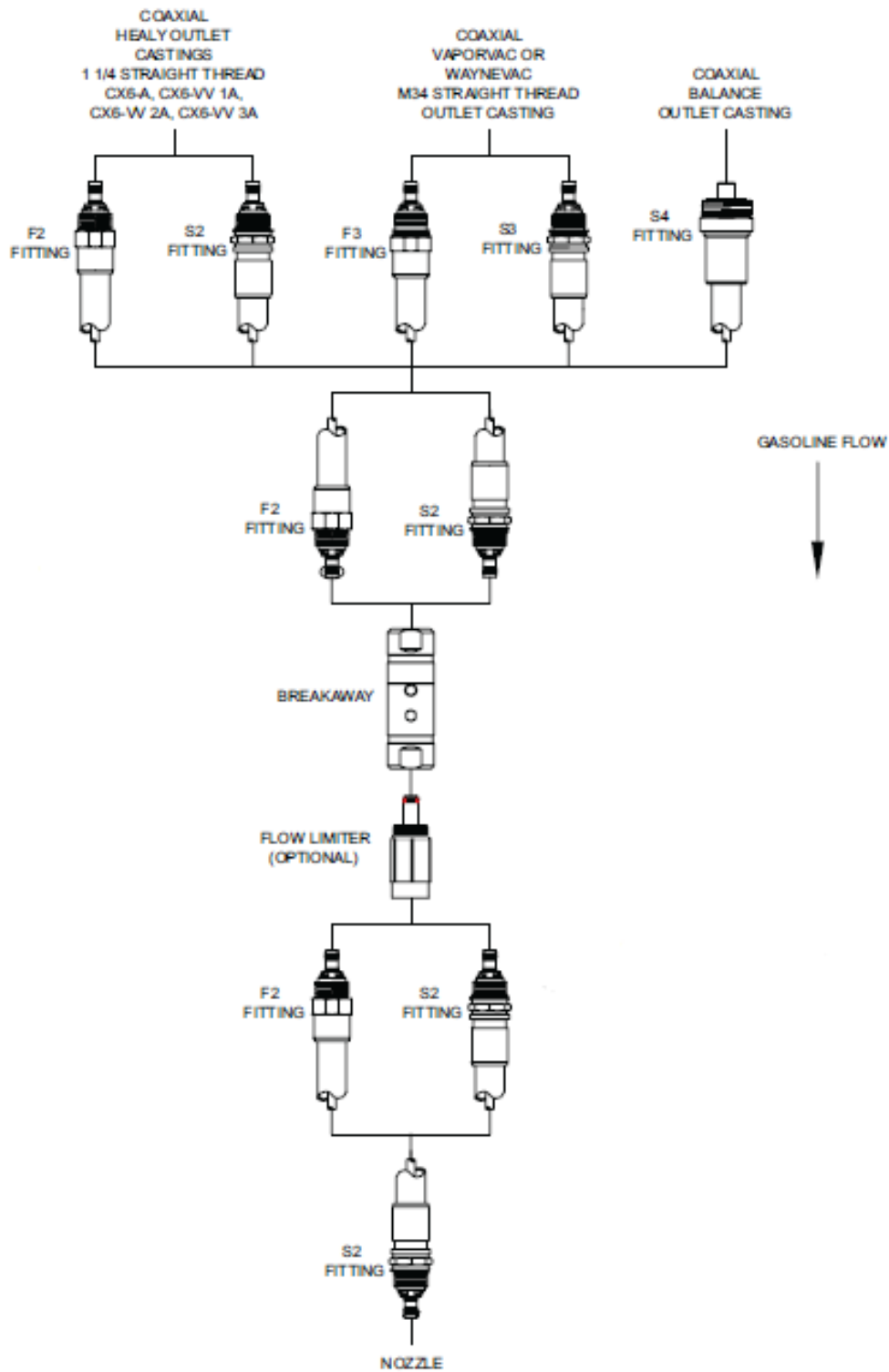
Serial Number

ContiTech USA, Inc.  
703 S. Cleveland Massillion Rd.  
Fairlawn, OH 44333 USA  
Telephone: 1-800-235-4632

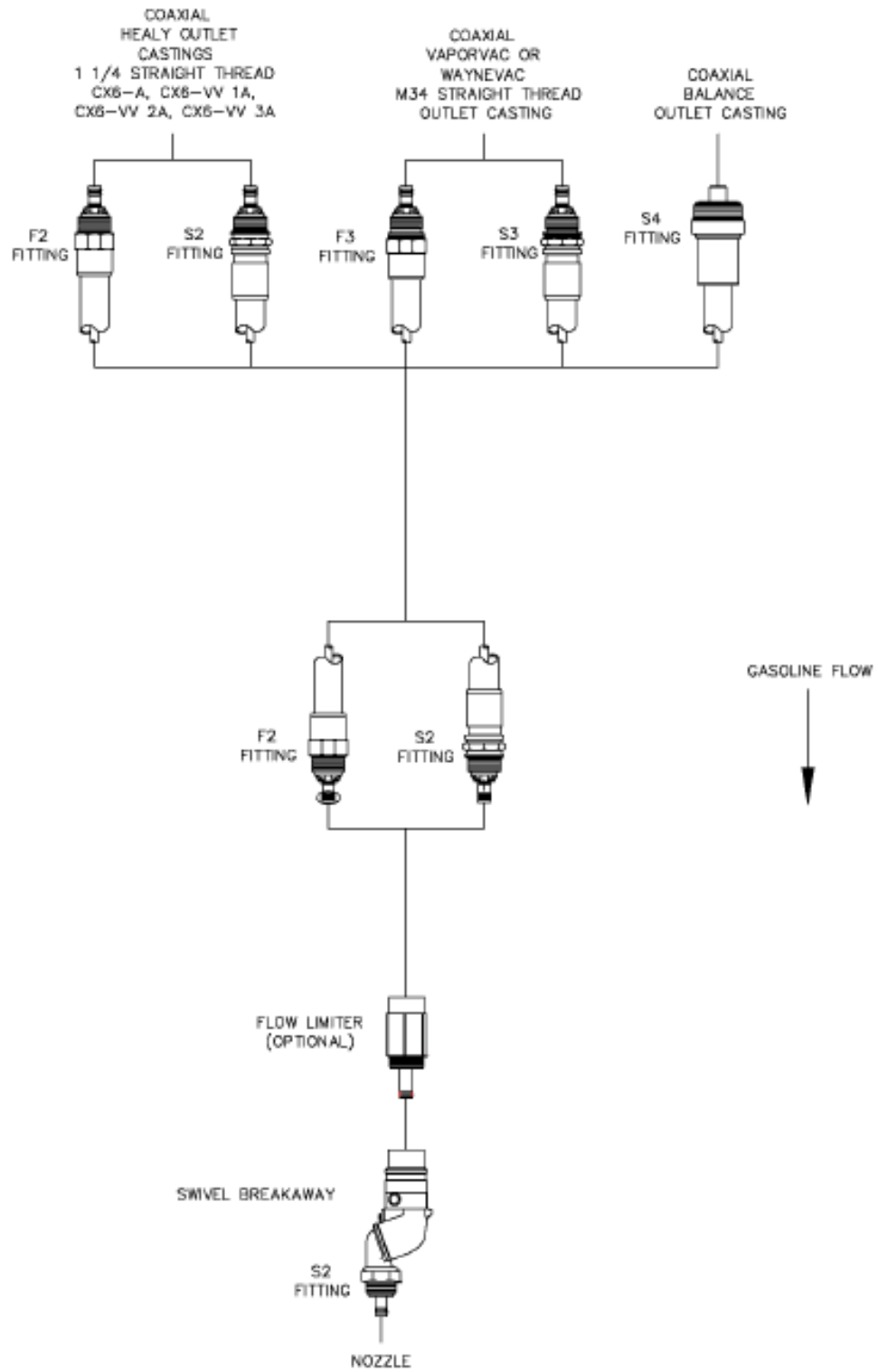
**Figure 1-5c**  
**VST V34EV ENVIRO-LOC™ Series Low Permeation Hose**  
(hose and lay line colors may vary)



**FIGURE 1-6**  
**Hanging Hardware Selection Options**  
**Breakaway and 1301 Flow Limiter**



**FIGURE 1-7**  
**Hanging Hardware Selection Options**  
**Model 807 Swivel Breakaway and 1302 Flow Limiter**



### Dispenser Conversion Adaptors

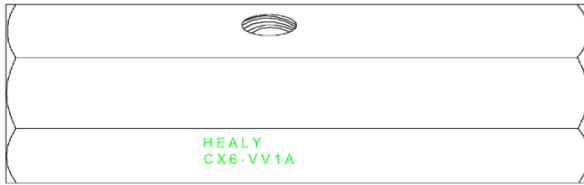
**FIGURE 1-8**  
Healy Model CX6-A



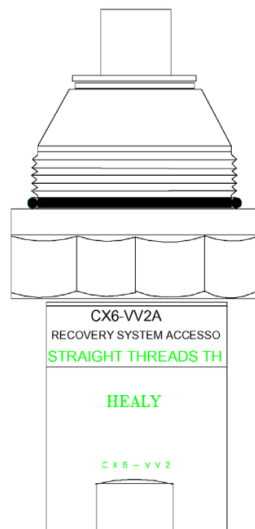
**FIGURE 1-8**  
Healy Model CX6-A



**FIGURE 1-8**  
Healy Model CX6-VV1A



**FIGURE 1-8**  
Healy Model CX6-VV2A



Dispenser Conversion Adaptors

FIGURE 1-9  
Healy Model CX6-VV3A

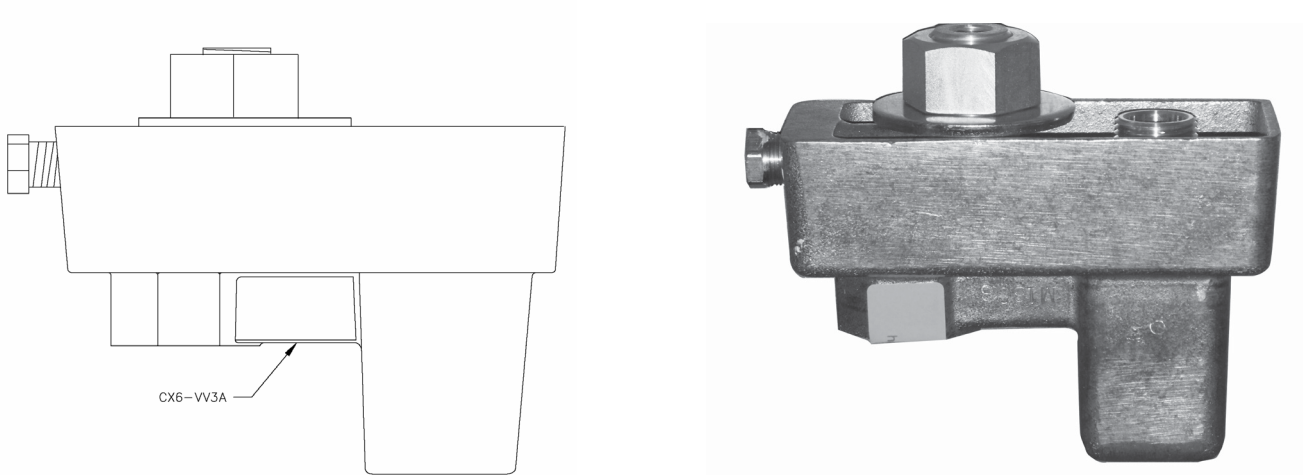
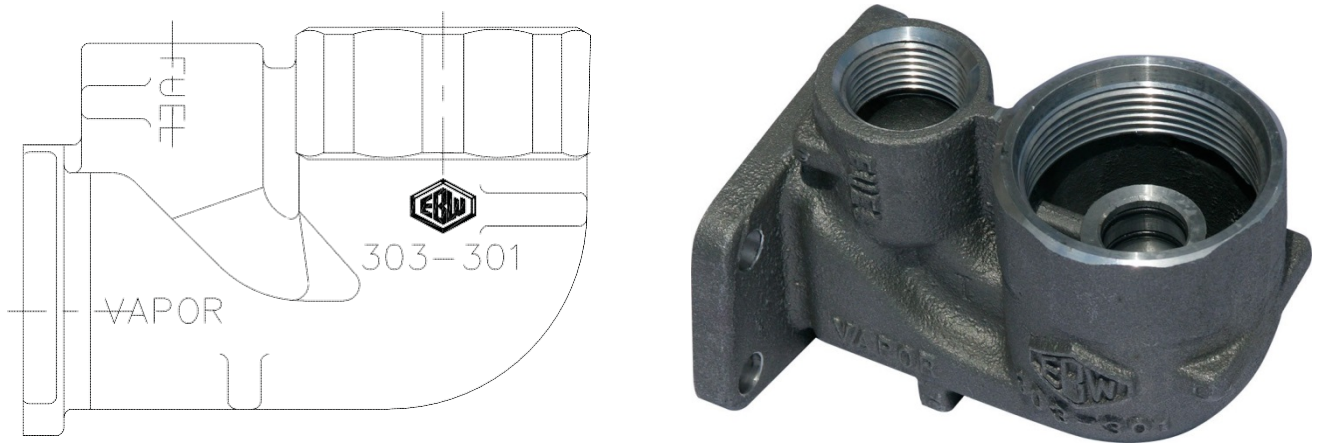
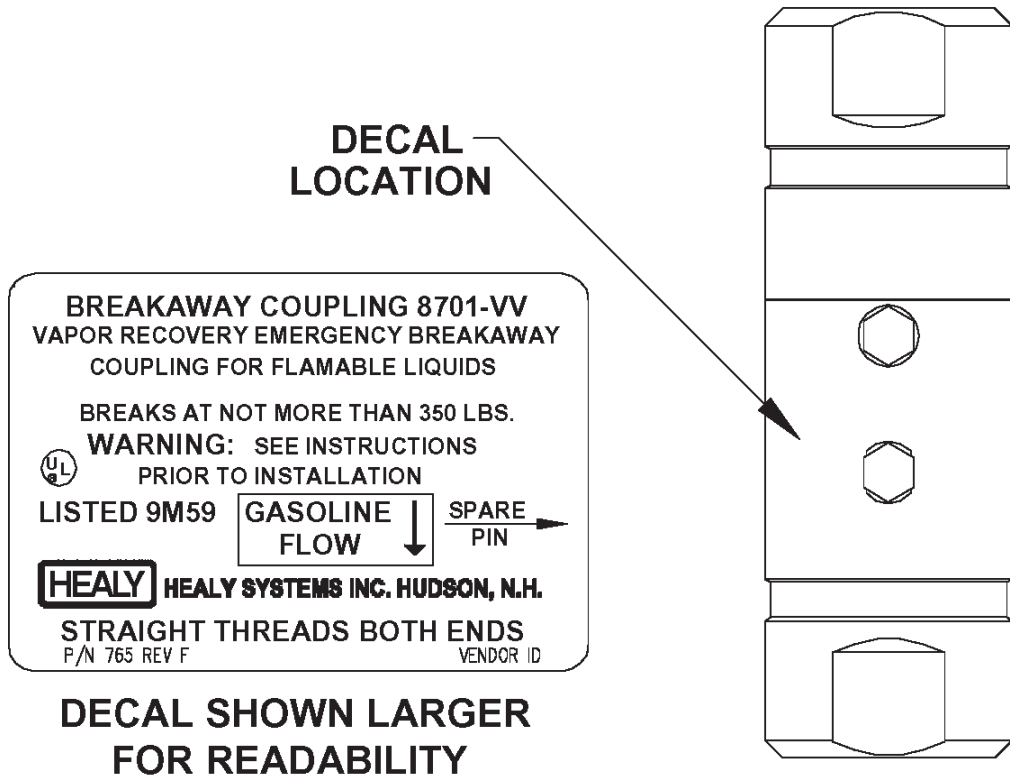


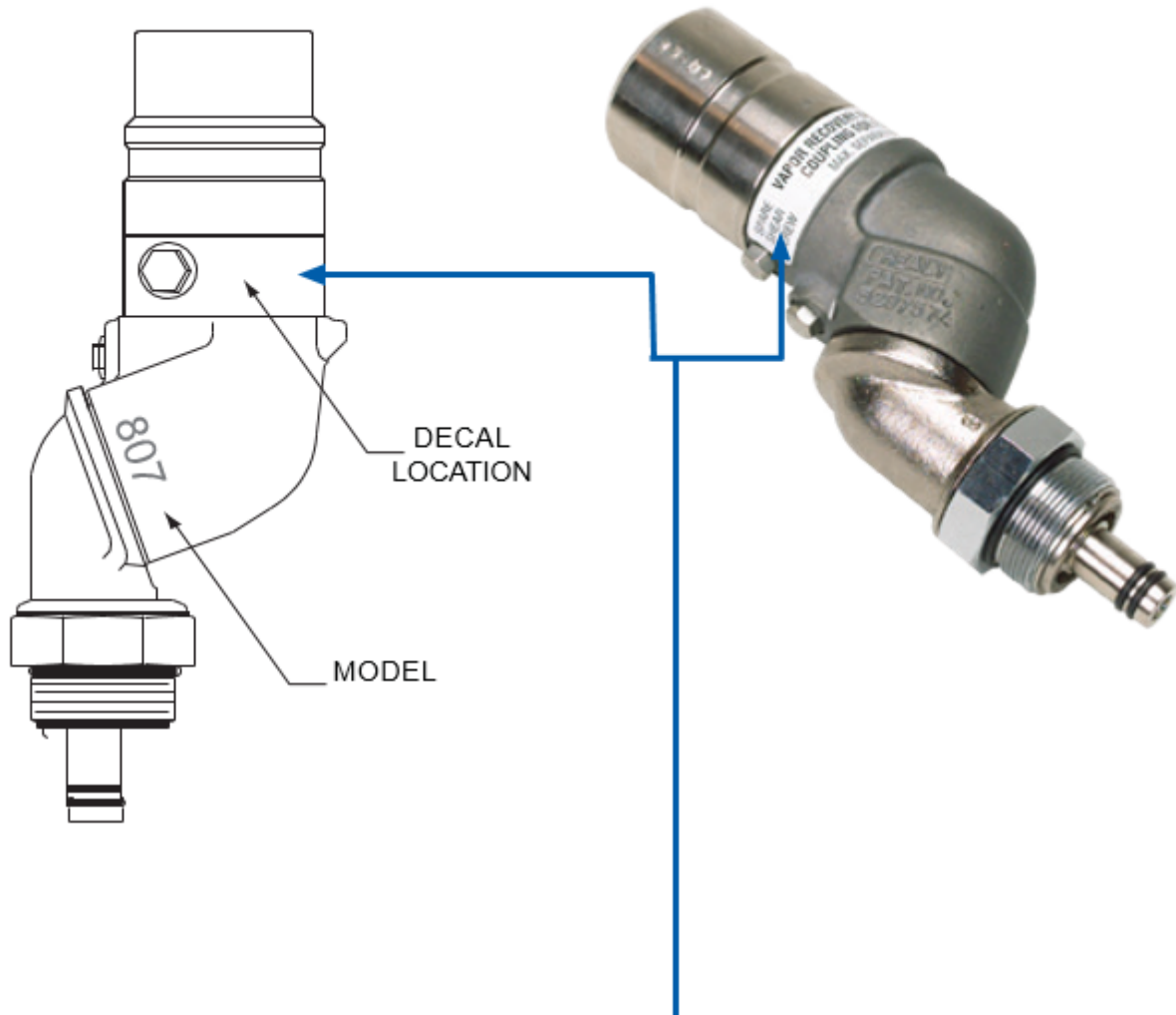
FIGURE 1-9  
EBW Model 303-301-01



**FIGURE 1-10a**  
**Healy Model 8701VV Breakaway**



**FIGURE 1-10b**  
**Healy Model 807 Swivel Breakaway**



FLOW ▼ STRAIGHT THDS. BOTH ENDS	<b>VAPOR RECOVERY EMERGENCY BREAKAWAY</b> COUPLING FOR FLAMMABLE LIQUIDS <b>MAX. SEPARATION FORCE 350#</b> <small>FRANKLIN FUELING SYSTEMS MADISON WI</small>	 <b>MODEL</b> LISTED 807 <small>98122</small>	SPARE SHEAR SCREW ▼	LBL P/N 893
--	--	--	------------------------------	-------------

FLOW ▼ STRAIGHT THDS. BOTH ENDS	<b>VAPOR RECOVERY EMERGENCY BREAKAWAY</b> COUPLING FOR FLAMMABLE LIQUIDS <b>MAX. SEPARATION FORCE 350#</b>	 <b>MODEL</b> LISTED 807 <small>98122</small>	SPARE SHEAR SCREW ▼	LBL P/N 893
--	--	--	------------------------------	-------------

Healy Systems Inc. Hudson, N.H. 03051

DECALS SHOWN LARGER FOR READABILITY

EITHER LABEL MAY APPLY



**FIGURE 1-10c**  
**Catlow Model CTMCA Breakaway**



M3418 Adaptor  
and Ferrule

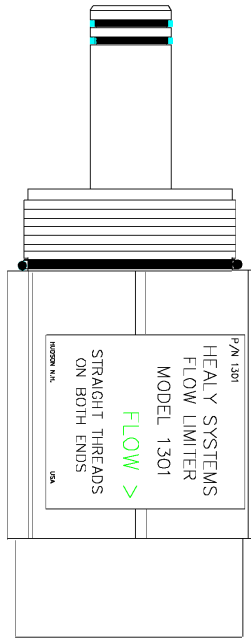
**FIGURE 1-10d**  
**VST Model VST-HEVR-SBK Breakaway**



**FIGURE 1-10e**  
**VST Model VST-ISVR-SBK Breakaway**  
**(M34 type)**



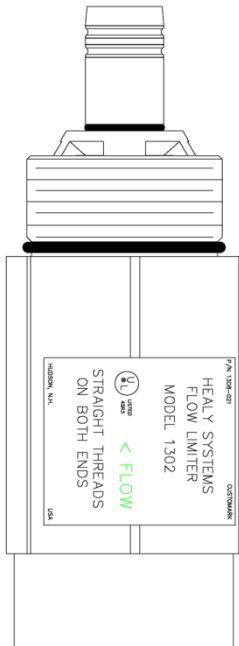
**FIGURE 1-11**  
Healy Model 1301 Flow Limiter



**FIGURE 1-12**  
Healy Model 1301 Flow Limiter



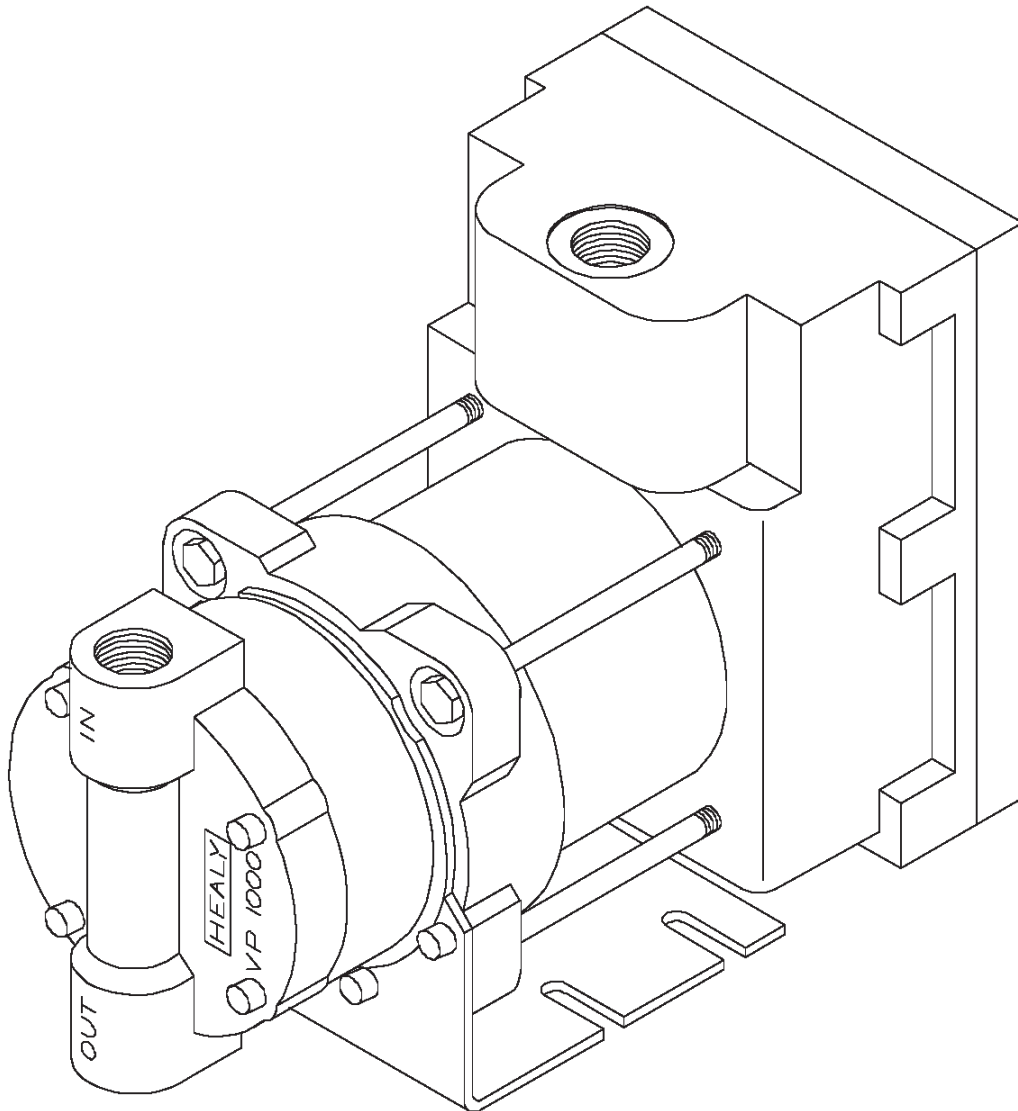
**FIGURE 1-13**  
Healy Model 1302 Flow Limiter



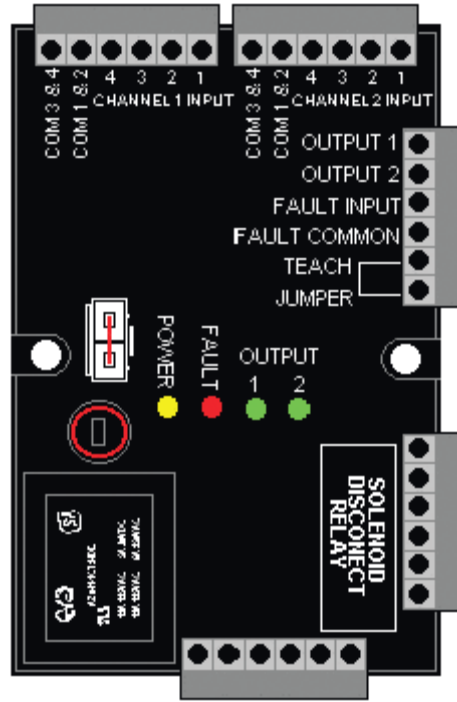
**FIGURE 1-14**  
Healy Model 1302 Flow Limiter



**FIGURE 1-15**  
**Healy Model VP1000 Vacuum Pump**



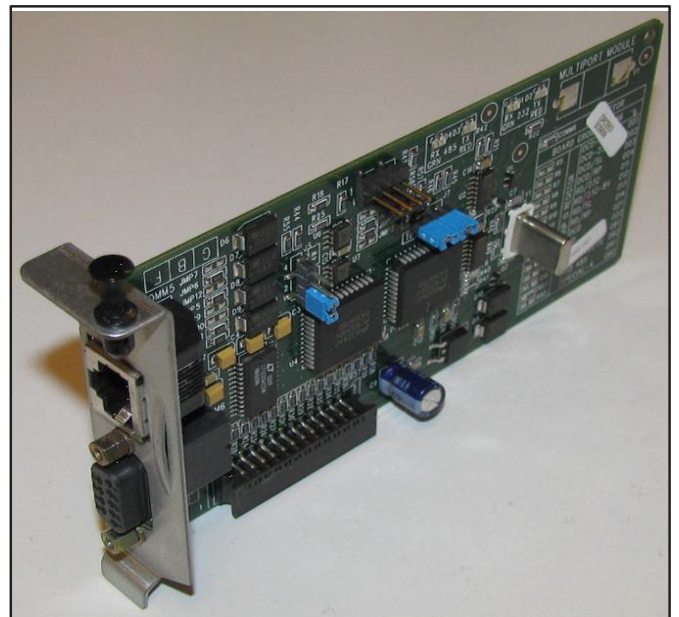
**FIGURE 1-16**  
**MC 100 Control Module**



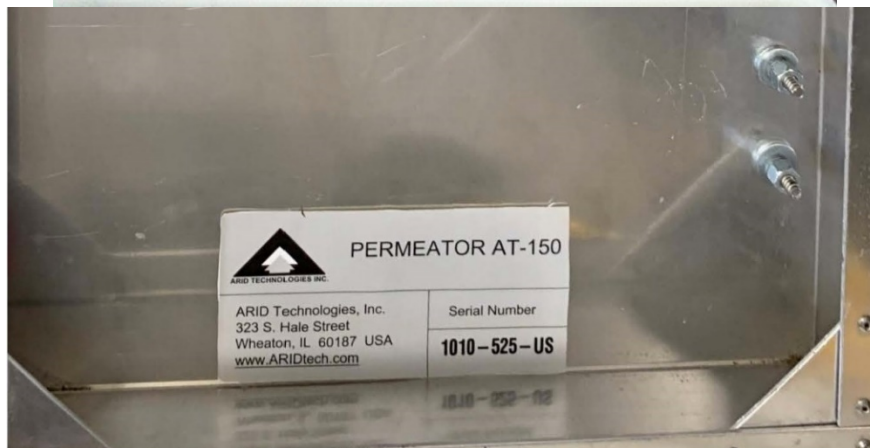
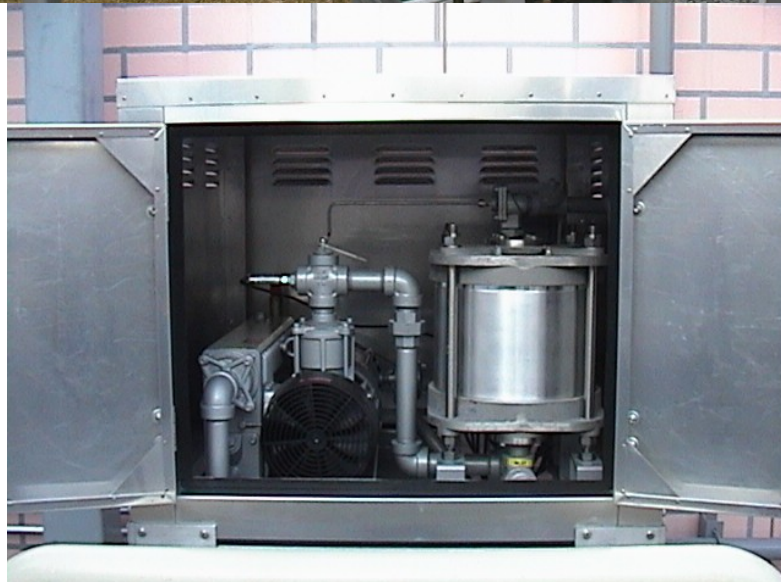
**FIGURE 1-17**  
**Maintenance Tracker Technician Key**



**FIGURE 1-18**  
**Interface Module RS232/485**  
**Dual Module with DB9 Converter or**  
**Single Port Module with DB-25 converter**



**FIGURE 1-19**  
**ARID Permeator AT-150**



Serial Number Location (inside cabinet on left door)

---

**Part 2 - Vapor Equipment List for Liquid Condensate Trap  
Figures 1A-LCT-1 and 1A-LCT-2**

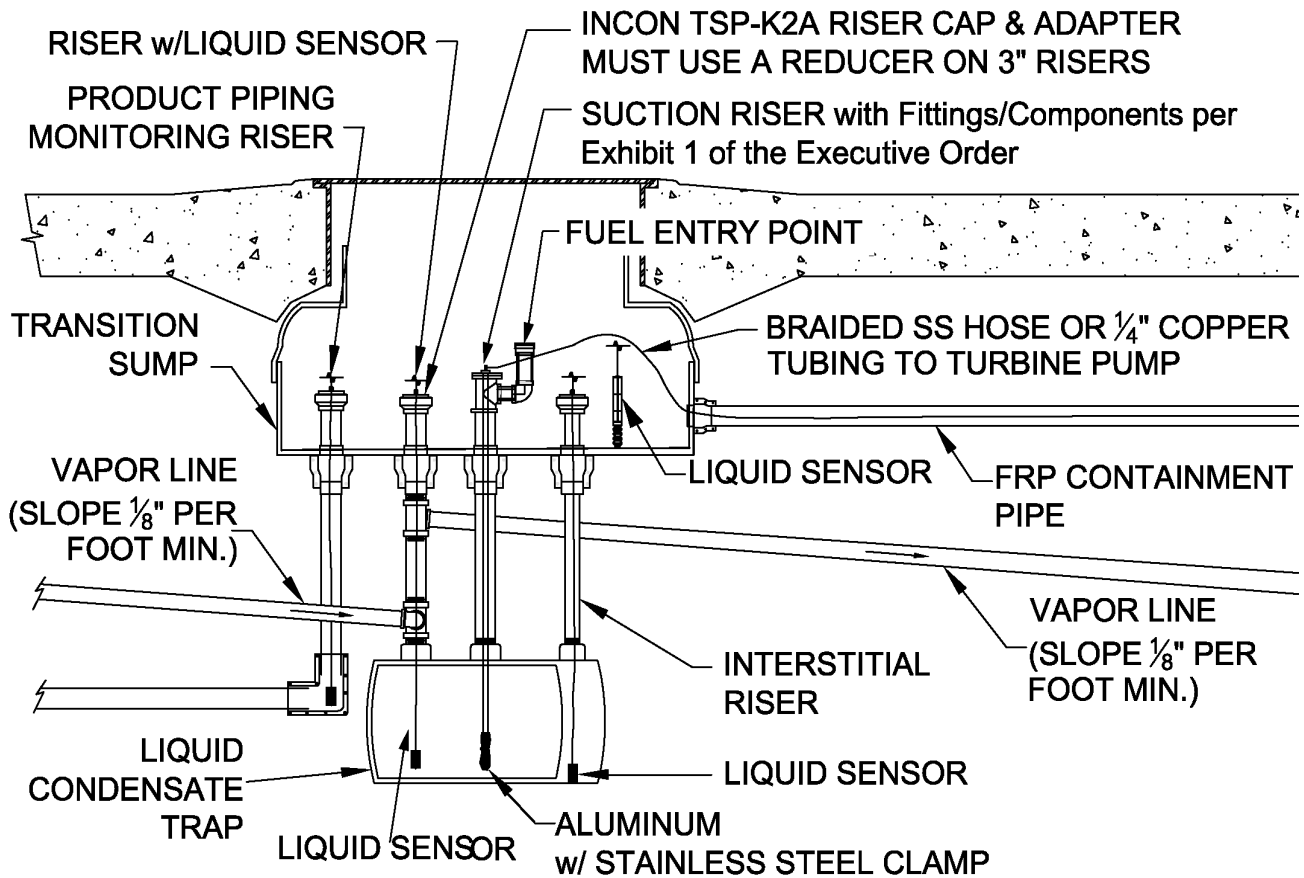
<b><u>Component</u></b>	<b><u>Manufacturer/Model</u></b>
<b>Riser Adapter</b>	INCON model TSP-K2A
<b>In-Line Filter</b>	140 micron, Swagelok B-4F2-140 or SS-4F2-140, or equivalent
<b>Screen</b>	Aluminum Insect screen (18X14 mesh), or Stainless Steel Insect screen (18X18 mesh).
<b>Stainless Steel Hose Clamp</b>	Sized to secure screen to suction tube.
<b>Liquid Sensor<sup>1</sup></b>	Must have an audible and visual alarm
<b>Liquid Condensate Trap<sup>1</sup></b>	Any capacity, manufacturer, make and model

---

<sup>1</sup> Must meet applicable State Water Resources Control Board requirements (e.g. LG-113, LG-167 and LG-169) and any local authority having jurisdiction which includes the Certified Unified Program Agency (CUPA).

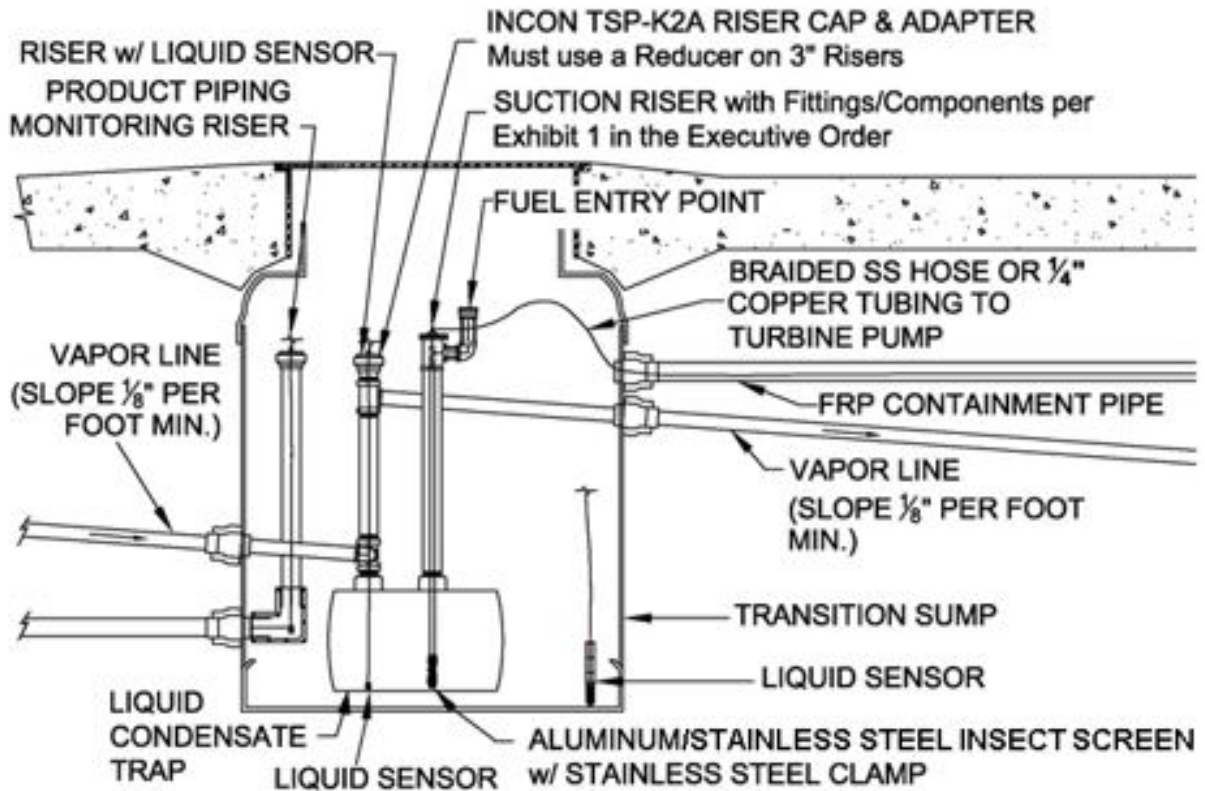


**FIGURE 1A-LCT-1**  
Typical Liquid Condensate Trap Installed Below the Transition Sump



**FIGURE 1A-LCT-2**  
**Typical Liquid Condensate Trap Installed Inside the Transition Sump**

**Note:** A Liquid Condensate Trap installed inside a liquid AND vapor tight transition sump that is monitored with a liquid sensor can be single walled (if installed before July 1, 2004).



## SECTION II - In-Station Diagnostics

### Option 1 - Veeder-Root Equipment (VR)

<u>Component</u>	<u>Manufacturer/Model</u>
<b>TLS Console</b>	<p>TLS-350            TLS-350 Plus TLS-350R            Red Jacket ProMax            Gilbarco EMC            Simplicity</p> <p>Veeder-Root 8482XX-XXX            Veeder-Root 8470XX-XXX X = Any digit            (Figure 1-ISD-VR-1)</p>
<b>ISD Software Version</b>	<p>Veeder-Root ISD 1.06<sup>26</sup>            (Required for new installations and facilities            undergoing major modification)</p> <p>Refer to Table 1-ISD –VR-1, Veeder-Root ISD Software            Version Compatibility Matrix</p>
<b>Vapor Flow Meter</b> (1 per Dispenser)	<p>Veeder-Root 331847-XXX            X = Any digit            (Figure 1-ISD-VR-2)</p>
<b>Vapor Pressure Sensor</b> (1 per GDF)	<p>Veeder-Root 331946-001 or 861190-201<sup>27</sup>            Wired, approved for installation in the dispenser or on            the vent stack            (Figure 1-ISD-VR-3a)</p> <p>OR</p> <p>Veeder-Root 861190-201            Low Powered Wireless, approved for installation on the vent            stack <b>ONLY</b>            (Figure 1-ISD-VR-3b)</p>

<sup>26</sup> ARID Permeator AT-150 installations must be done with Version 1.06 software. Clean Air Separator installations can use previous versions, but Version 1.06 software is compatible with both Permeator AT-150 and Clean Air Separator.

<sup>27</sup> For installations using the ARID Permeator AT-150, only dispenser mounted ISD transducer is approved.

<b><u>Component</u></b>	<b><u>Manufacturer / Model</u></b>
<b>Vapor Pressure Sensor Desiccant Tube (optional)</b> (1 per GDF)	Veeder-Root 330020 – Dryer Tube Figure (1-ISD-VR-3c)
<b>Dispenser Interface Module (DIM)</b>	Veeder-Root DIM Series (Figure 1-ISD-VR-4)
<b>RS232 Interface Module</b>	Veeder-Root RS232 Interface Module Series (Figure 1-ISD-VR-5)
<b>RF Receiver-2 (optional)*</b> (1 per GDF)	Veeder-Root 332440-029 (Figure 1-ISD-VR-6 and Figure 1-ISD-VR-7)
<b>RF Repeater-2 (optional)*</b> (1 per GDF)	Veeder-Root 332440-030 (Figure 1-ISD-VR-6 and Figure 1-ISD-VR-7)
<b>RF Transmitter-2 (optional)*</b> (1 per Dispenser)	Veeder-Root 332235-016 (Figure 1-ISD-VR-6 and Figure 1-ISD-VR-7)
<b>RF Battery Pack (optional)*</b> (1 per Transmitter)	Veeder-Root 332425-011 (Figure 1-ISD-VR-6 and Figure 1-ISD-VR-7)
<b>TLS RF Console-2 (optional)*</b> (1 per GDF)	Veeder-Root 332242-002 (Figure 1-ISD-VR-6 and Figure 1-ISD-VR-7)

---

\*

Optional wireless components for Veeder-Root Vapor Flow Meter

**TABLE 1-ISD-VR-1**  
**Veeder-Root ISD**  
**Software Version Compatibility Matrix**

Software Version *	Option		
	Dispenser Shutdown *** and Collection Monitoring Update	Wireless Components	Maintenance Tracker
1.01			•
1.02			•
1.03	•		•
1.04	•	•	•
1.05	•	•	•
1.06 **	•	•	•

\* Software Version 1.01 has been revoked for GDF's equipped with multiproduct (six pack) dispensers with fuel blending. Subject GDFs must upgrade to higher version software (1.02, 1.03, 1.04, 1.05 or 1.06) by 07/01/2012.

\*\* For new installations ISD software version 1.06 is compatible with all processors listed in this EO. For existing installations, refer to the above software compatibility matrix. With the exception of multiproduct (six pack) dispensers with fuel blending, software Versions 1.01, 1.02, 1.03, 1.04 and 1.05 may remain in use at existing GDFs. Software Version 1.06 must be installed at new GDFs or those undergoing a major modification as determined by date when the district issues the permit to construct.

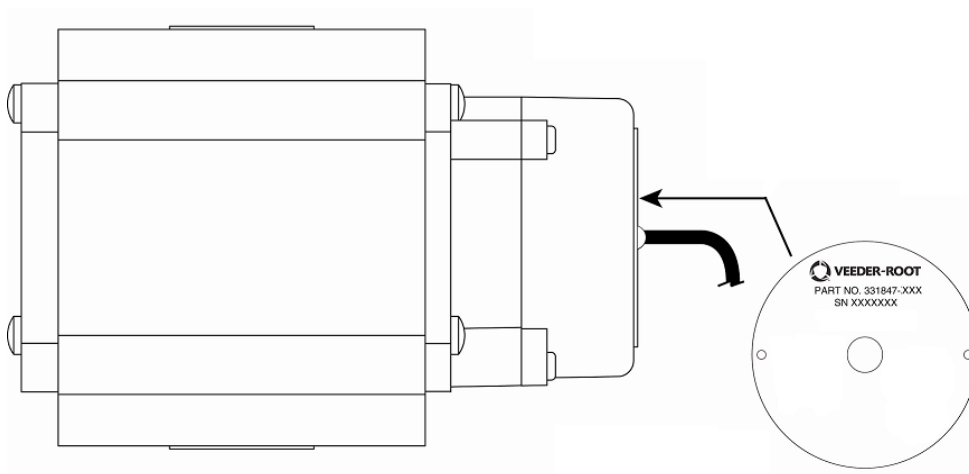
\*\*\* Dispenser shutdown can be achieved by alternate means for GDFs equipped with Software Version 1.01 and 1.02 as indicated in the CARB approved IOM for the Veeder-Root ISD System.

**FIGURE 1-ISD-VR-1**  
Veeder-Root 8482XX-XXX Veeder-  
Root 7470XX-XXX

**Standard TLS Console**

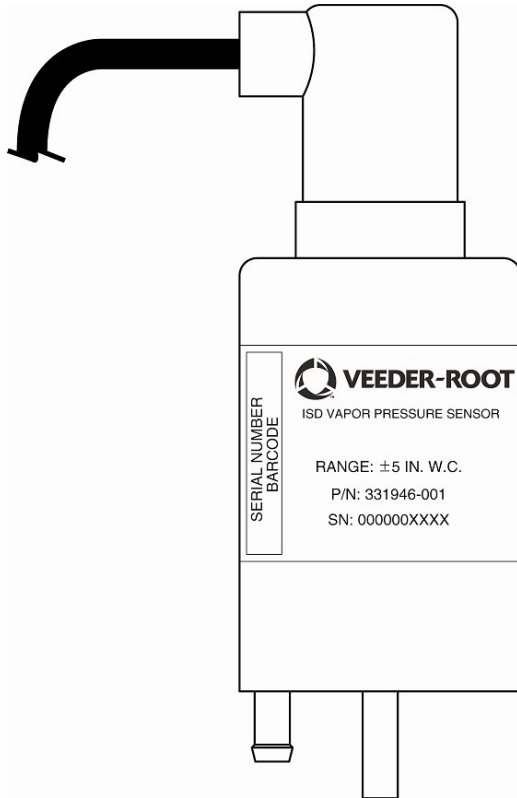


**FIGURE 1-ISD-VR-2**  
Vapor Flow Meter  
Veeder-Root 331847-XXX

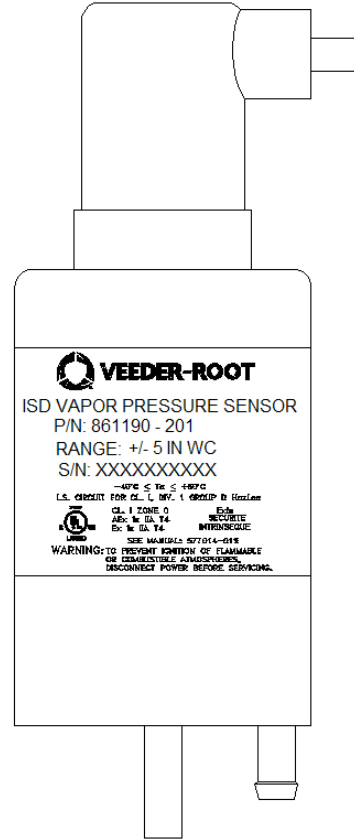


**FIGURE 1-ISD-VR-3**  
**Vapor Pressure Sensor**

**FIGURE 1-ISD-VR-3a**  
**Veeder-Root 331946-001**  
**Vapor Pressure Sensor**



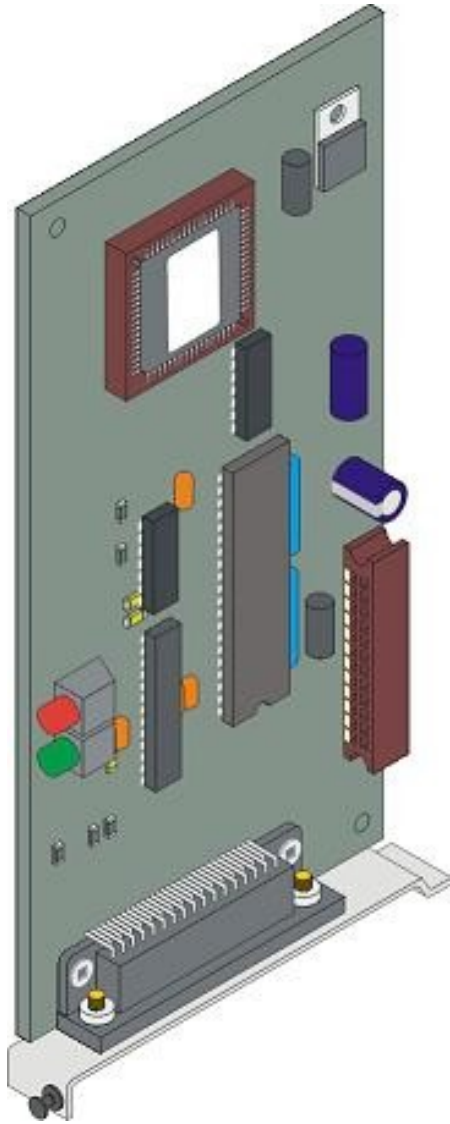
**FIGURE 1-ISD-VR-3b**  
**Veeder-Root 861190-201**  
**Low Powered Vapor Pressure Sensor**



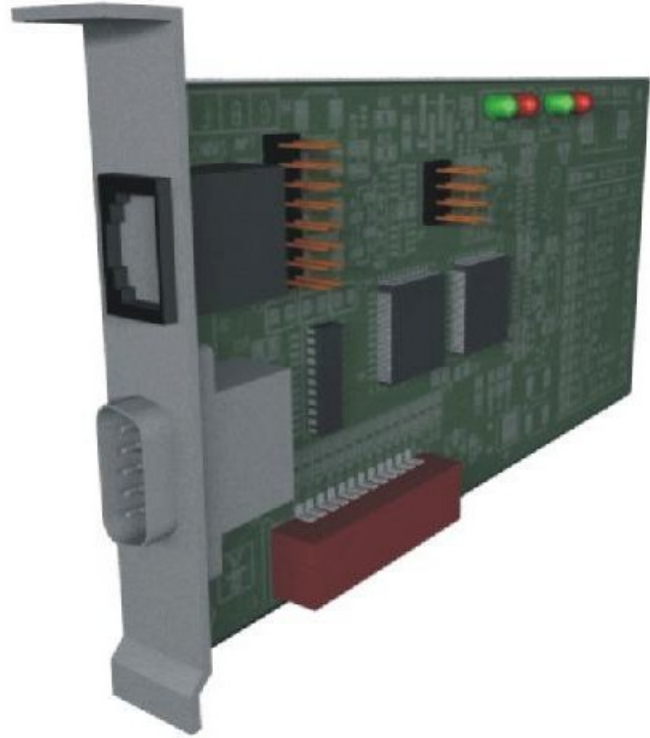
**FIGURE 1-ISD-VR-3c**  
**Veeder-Root 330020-717**  
**Dryer Tube (Optional)**



**FIGURE 1-ISD-VR-4**  
Dispenser Interface Module (DIM)



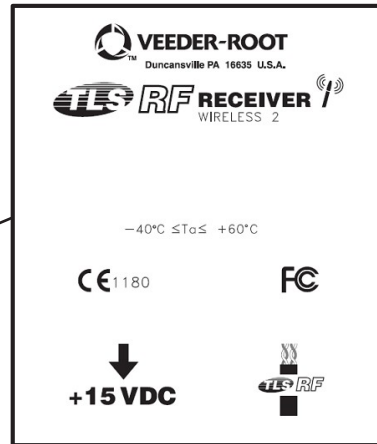
**FIGURE 1-ISD-VR-5**  
RS232 Interface Modules



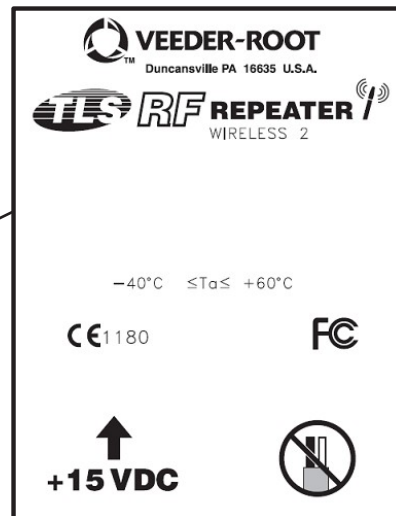


**FIGURE 1-ISD-VR-6**  
**Veeder Root Optional Wireless Components**

**RF Receiver-2**

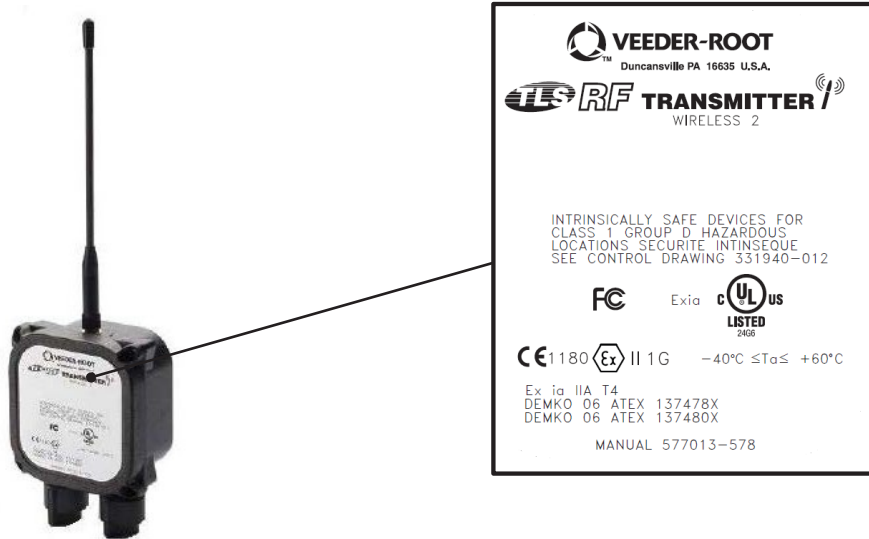


**RF Repeater-2**

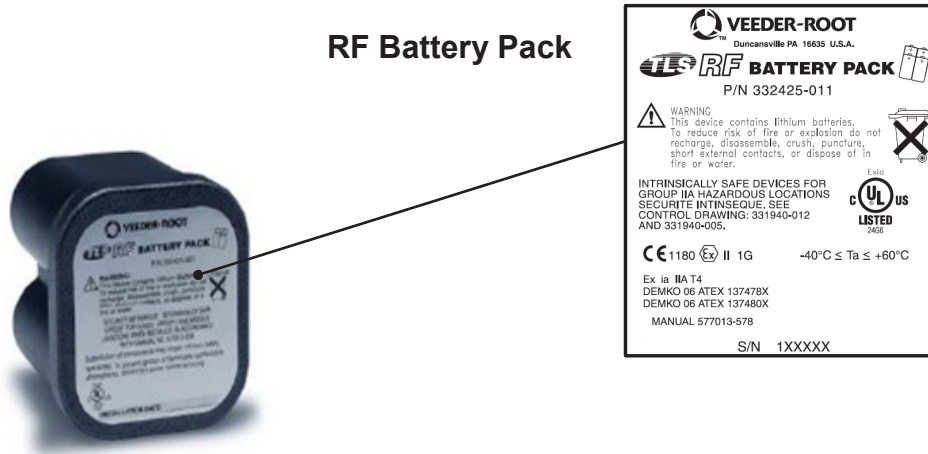


### FIGURE 1-ISD-VR-6 (continue) Veeder Root Optional Wireless Components

#### RF Transmitter-2



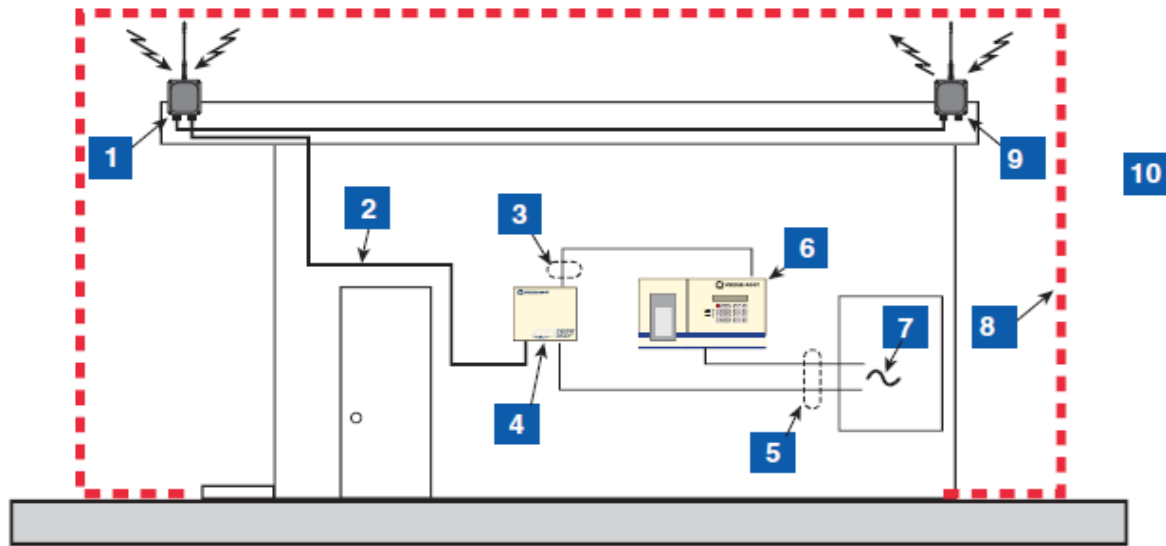
#### RF Battery Pack



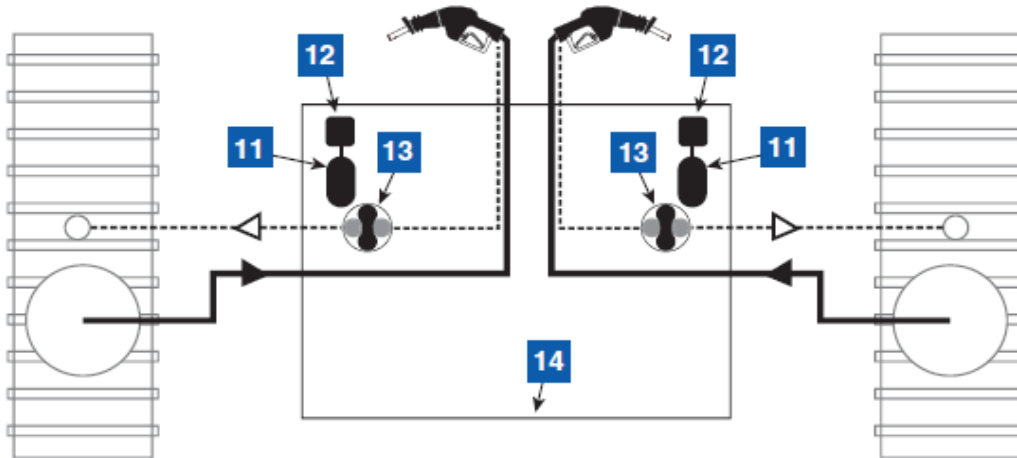
#### TLS RF Console-2



**FIGURE 1-ISD-VR-7  
TLS RF Wireless System Layout**



964-1iom 28.eps



**LEGEND FOR NUMBERED BOXES IN Figure 1**

To be installed in accordance with the National Electrical Code, NFPA 70 and the Code for Motor Fuel Dispensing Facilities and Repair Garages (NFPA 30A), or other local codes such as the CEC, Canadian Electrical Code.

**WARNING!** Substitution of components may impair intrinsic safety.

Circuitry within the console barrier forms an intrinsically safe, energy-limited system. This system is intrinsically safe for use in a Class I, Group D hazardous location.

- 1. Receiver (1 per RF System)
- 2. RS-485 Cable (Belden #3107A or equiv.)
- 3. NOTE: Intrinsically safe wiring shall be installed in accordance with Article 504-20 of the NEC, ANSI/ NFPA 70. Max cable length 1000 ft. (304 m). W2 Receiver (1 per RF System)

- 4. TLS-RF
- 5. Conduit that enters power wiring knockout.
- 6. TLS console (Vm = 250 V)
- 7. 120 or 230 Vac from power panel
- 8. Non-hazardous area
- 9. Repeater (1 per RF System)
- 10. Hazardous area (Class I, Div. 1, Group D)
- 11. Transmitter
- 12. Battery pack
- 13. Vapor Flow meter
- 14. Dispenser sump



**Section II - In-Station Diagnostics**

**Option 2- INCON Equipment**

**List<sup>28</sup>**

**Component**

**Manufacturer/Model**

**Console**

TS-EMS

INCON / TEMSXXXX/YV

Where:

X represents hardware option

(Example: X can be: 'D' for Display, 'P' for Printer)

Y represents software option

(Example: Y can be: 'S' for Secondary Containment Monitoring)

V represents Vapor Recovery Monitoring Application

TS-550

INCON / T550XXXX/YYYYV

TS-5000

INCON / T5000XXXX/YYYYV

Where:

X represents hardware option

(Example: X can be: 'D' for Display, 'P' for Printer)

Y represents software option

(Example: Y can be: 'T' for Tank Testing)

V represents Vapor Recovery Monitoring Application

(Figure 1-ISD-INCON-1)

**Note:** All consoles come standard with RS-232 (COMM 1) and Ethernet ports for data access.

**Vapor Recovery Monitoring (VRM) Software**

INCON / TS-VRM Version 1.2.0

**Vapor Flow Meter**

(1 per Dispenser)

INCON TS-VFM

(Figure 1-ISD-INCON-2)

**Vapor Pressure Sensor**

(1 per GDF)

INCON TS-VPS

(Figure 1-ISD-INCON-3)

<sup>28</sup> INCON ISD is not approved for use with the ARID Permeator AT-150.

<b><u>Component</u></b>	<b><u>Manufacturer / Model</u></b>
-------------------------	------------------------------------

**Data Transfer Unit (Optional)<sup>29</sup>**

(1 per dispenser and 1 per GDF)	INCON TS-DTU/P (Figure 1-ISD-INCON-4)
------------------------------------	--

**Dispenser Retrofit Kit (Optional)<sup>30</sup>**

(1 per dispenser with DTU)	INCON TS-DRK/x where x represents Type of Installation Kit
----------------------------	---

W, Wayne Installation Kit

E, Gilbarco Encore Installation Kit

A, Gilbarco Advantage Installation Kit

T, Tokheim Installation Kit

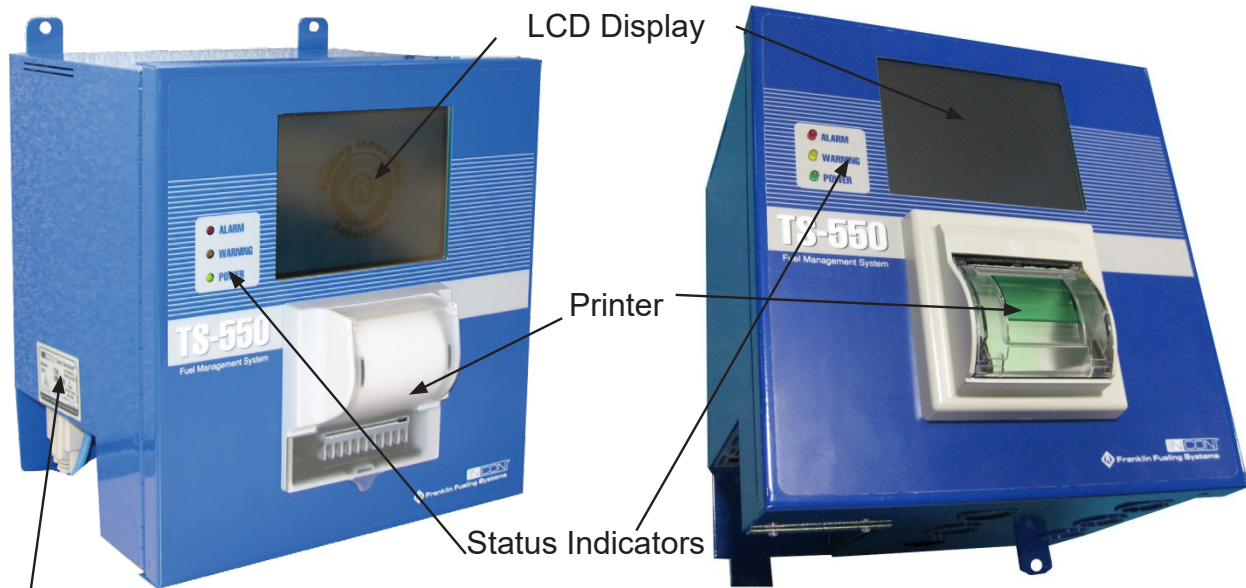
**Thermal Printer Retrofit for TS-EMS and TS-550 with VRM Consoles (Optional)**

- A. Order Model Number TSSP-TMPTR;
- B. ISD Software must be version 1.2.0 or higher; and
- C. The Console Firmware must be 1.5.x.xxxx or higher.

<sup>29</sup> Optional installation method for the replacement of dedicated wires to VFM and VPS. Refer to the IOM for more information.

<sup>30</sup> Optional installation method for the replacement of dedicated wires to VFM and VPS. Refer to the IOM for more information.

**FIGURE 1-ISD-INCON-1**  
**INCON TEMSXXXX/YV**  
**INCON T550XXXX/YYYYV**  
**INCON T5000XXXX/YYYYV**





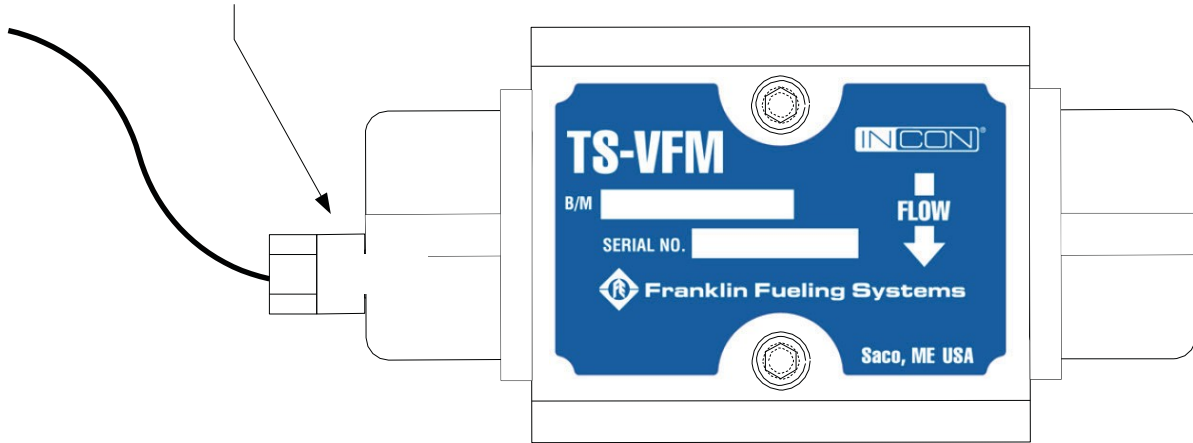
Label with console serial and model numbers

Communication Ports





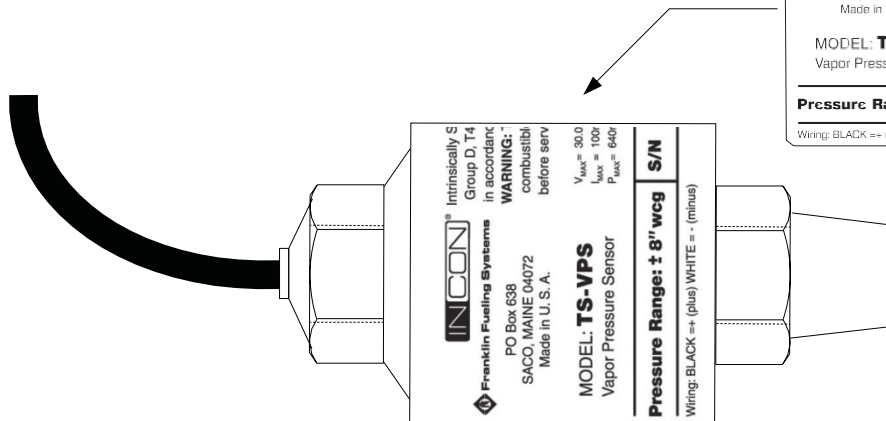
**FIGURE 1-ISD-INCON-2  
INCON TS-VFM  
Vapor Flow Meter**

 4000 $V_{max} = 28.0V$ $I_{max} = 100mA$ $P_{max} = 1.10W$ $C_i = 0.75\mu F$ $L_i = 0mH$	Intrinsically Safe Encoder for use in Class 1, Division 1 Group D, T4 hazardous location when installed in accordance with Control Drawing #000-1721. <b>WARNING:</b> To prevent ignition of flammable or combustible atmospheres, disconnect power before servicing. See installation instructions.	 <b>Franklin Fueling Systems</b> PO Box 638 SACO, MAINE 04072 U. S. A. Made in U. S. A.
	PN 240-0063 Rev D -40°C to +60°C	<b>TSP-ENCD S/N</b>



**FIGURE 1-ISD-INCON-3  
INCON TS-VPS  
Vapor Pressure Sensor**

 <b>Franklin Fueling Systems</b> PO Box 638 SACO, MAINE 04072 Made in U. S. A.	Intrinsically Safe Device for use in Class 1, Div. 1 Group D, T4 hazardous location when installed in accordance with Control Drawing #000-1728. <b>WARNING:</b> The prevent ignition of flammable or combustible atmospheres, disconnect power before servicing. See installation instructions.	 <b>LISTED</b> 4KA5 PN 240-0067 Rev A
	MODEL: <b>TS-VPS</b> Vapor Pressure Sensor $V_{max} = 30.0V$ $I_{max} = 100mA$ $P_{max} = 640mW$	
<b>Pressure Range: ± 8" wcg S/N</b>		
Wiring: BLACK =+ (plus) WHITE = - (minus) -40°C ≤ Ta ≤ 60°C		



**FIGURE 1-ISD-INCON-4  
INCON TS-DTU/P  
Data Transfer Unit**



Label with DTU Serial  
Number and ID Number