

EXHIBIT 2

System Specifications

This exhibit contains the installation, maintenance and compliance standards and specifications that apply to the Balance Phase II EVR Systems installed at gasoline dispensing facilities (GDFs). All components must be installed, maintained, and operated in accordance with the specifications in the **ARB Approved Installation, Operation and Maintenance Manual (IOM)**. Installation, maintenance and repair of system components, including removal and installation of such components in the course of any required tests, shall be performed by technicians certified by the appropriate manufacturer unless otherwise specified in the IOM. Additional certifications may be required in accordance with local district requirements.

Hanging Hardware

Nozzle

1. A vapor collection sleeve shall be installed on the VST nozzle at the base of the spout, as shown in **Figure 2B-1**. A vapor collection bellows shall be installed on the EMCO nozzle at the base of the spout, as shown in **Figure 2B-2**.
2. The VST Model VST-EVR-NB, VST Model VST-EVR-NB (G2), and EMCO Model A4005EVR nozzles have an integral vapor valve which prevents the loss of vapor from the underground storage tanks, ensures proper operation of the system and prevents the ingestion of air into the system. The performance of the nozzle vapor valve can be determined by items 2.1 or 2.2.
 - 2.1. The maximum allowable leak rate for the nozzle vapor path, as determined by TP-201.2B, shall not exceed 0.07 cubic feet per hour (CFH) at a pressure of two inches water column (2.00" WC)
 - 2.2. Verification of the integrity of the vapor valve can be performed on installed nozzles using the nozzle bag test procedure in Exhibit 7.
3. The gasoline flow rate of the nozzle shall be between six (6.0) and ten (10.0) gallons per minute as determined by the applicable provisions of section 6 or 7 of Exhibit 5 or by direct observation for 30 seconds minimum at the maximum hand held position.

Vapor Collection

1. The system pressure drop from the nozzle to the UST, as determined by TP-201.4 (Methodology 1) and Exhibit 6, shall not exceed the following:
 - 0.35 inches WC at a flow rate of 60 CFH of Nitrogen; and
 - 0.62 inches WC at a flow rate of 80 CFH of Nitrogen.

Coaxial Hoses

1. The maximum length of the curb hose, breakaway, and whip hose combined shall not exceed fifteen feet as measured from the base of the nozzle to the end of dispenser adapter or dispenser, as appropriate (Reference Exhibit 1, Figure 1A-2).
2. The liquid removal rate shall not be less than five milliliters per gallon (5.0 ml/gal) as determined by Exhibit 5 when tested with a gasoline flow rate between six (6.0) and ten (10.0) gallons per minute. Liquid removal requirement is applicable to all grades of gasoline.
3. All hoses shall have a permanent marking indicating the liquid pick-up location.
4. Any hose configuration is allowed when installed in accordance with IOM section 8.

Breakaway Couplings

1. The VST breakaways, model VSTA-EVR-SBK, and the EMCO safe break couplings, Model A4119EVR, are non-reconnecting and shall be replaced following a drive-off.
2. The EMCO safe break couplings, Model A4119EVR (Reconnectable), can be reconnected following a drive-off after conducting a visual and functional assessment per the drive-off procedure.
3. The VST breakaways, model VSTA-EVR-SBK (Reattachable), and OPW breakaways can be reconnected following a drive-off after conducting a visual and functional assessment per the drive-off procedure.

Flow Limiter

4. No flow limiter is allowed for this system.

Processors

VST ECS Membrane Processor

1. The processor vapor integrity shall demonstrate compliance with the static pressure decay criteria of TP-201.3 and Exhibit 4.
2. Unless there is maintenance or testing being conducted on the processor, the processor shall be in the automatic vapor processor mode and the three ball valves shall be locked in the open positions shown in **Figure 2B-3** for normal processor operation. The handles of the ball valves shall not be removed.
3. Piping to and from the processor shall be sloped 1/8" per foot minimum toward the vent line(s).

4. The hydrocarbon concentration of the ECS membrane processor taken from the Hydrocarbon Diagnostic Report shall be between \pm one percent ($\pm 1\%$) for the zero and mid-range gas and \pm two percent ($\pm 2\%$) for the high-range gas, when tested in accordance with Exhibit 8.
5. The processor shall activate when the pressure of the underground storage tank is less than or equal to 0.4 inches WC (≤ 0.4 inches WC) as determined by Exhibit 9.
6. The Vapor Pressure Sensor shall be between +0.2 and -0.2 inches WC when tested in accordance with section 9 of Exhibit 10.
7. The vapor pressure reading from the TLS console shall be within ± 0.2 inches WC of the measured ullage UST pressure as determined by section 8 of Exhibit 10.
8. The TLS console audible alarm shall be installed at a location that is most likely to be occupied by the station attendant during normal station operation (e.g., cash register).
9. The TLS console controlling the membrane shall have an RS232 port which shall be installed in a location that allows the RS232 port to be easily accessible, and if applicable per district requirements, for use at anytime. A vacant RS232 serial port shall always be available to electronically download reports.
10. The hydrocarbon concentration of the VST ECS Processor shall not exceed twelve percent (12%) as determined by accessing the Vapor Processor Status Report.

VST Green Machine Processor

1. Unless there is maintenance or testing being conducted on the processor, the processor shall be in the automatic vapor processor mode and the two ball valves shall be locked in the open positions shown in **Figure 2B-8** for normal processor operation. The handles of the ball valves shall not be removed.
2. Piping to and from the processor shall be sloped 1/8" per foot minimum toward the vent line(s).
3. The processor shall activate when the pressure of the underground storage tank is less than or equal to 0.4 inches WC (≤ 0.4 inches WC) as determined by Exhibit 9.
4. The Vapor Pressure Sensor shall be between +0.2 and -0.2 inches WC when tested in accordance with section 9 of Exhibit 10.
5. The vapor pressure reading from the TLS console shall be within ± 0.2 inches WC of the measured ullage UST pressure as determined by section 8 of Exhibit 10.
6. The TLS-350 audible alarm shall be installed at a location that is most likely to be occupied by the station attendant during normal station operation (e.g., cash register).
7. The TLS console controlling the Green Machine Processor shall have an RS232 port which shall be installed in a location that allows the RS232 port to be easily accessible,

and if applicable per district requirements, for use at any time. A vacant RS232 serial port shall always be available to electronically download reports.

8. The hydrocarbon concentration of the VST Green Machine Processor shall not exceed seventeen percent (17%) as determined by Exhibit 15.
9. The carbon type shall be BAX G1500 manufactured by MeadWestvaco.

Veeder-Root Vapor Polisher

1. The carbon type shall be BAX G1500 manufactured by MeadWestvaco.
2. Unless there is maintenance or testing being conducted on the processor, the vapor polisher shall be in the automatic vapor processor mode and the inlet ball valve shall be locked in the open position shown in **Figure 2B-4** for normal polisher operation. The handle of the ball valve shall not be removed.
3. The pressure reading from the TLS console shall be within ± 0.2 inches WC of the measured ullage UST pressure as determined by section 8 of Exhibit 10.
4. The Vapor Pressure Sensor shall be between +0.2 and -0.2 inches WC when tested in accordance with section 9 of Exhibit 10.
5. The Vapor Polisher pressure decrease between starting and ending pressures shall be less than 0.5 inches WC loss when tested in accordance with Exhibit 11. The ending pressure must be greater than 7.0 inches WC. Pressure drop across the Vapor Polisher at 18.0 standard cubic feet per hour flow shall be between 1.69 inches WC and 2.25 inches WC when tested in accordance with Exhibit 11. Differences in temperature readings shall not exceed 10 °F when tested in accordance with Exhibit 11. The atmospheric pressure sensor reading shall be within 10% of the atmospheric pressure obtained from a local independent source when tested in accordance with Exhibit 11.
6. The hydrocarbon concentration from the vapor polisher outlet shall not exceed 9000 ppm iso-butane (0.9% by volume iso-butane) when tested in accordance with Exhibit 12.
7. The TLS console controlling the vapor polisher shall have an RS232 port which shall be installed in a location that allows the RS232 port to be easily accessible, and if applicable per district requirements, for use at anytime. A vacant RS232 serial port shall always be available to electronically download reports.
8. Security seal tags must be installed on the vapor polisher. If for any reason the seal tags are damaged or missing, the district may require that Exhibit 11 and Exhibit 12 be conducted and pass prior to installing new security seal tags.

Hirt VCS 100 Thermal Oxidizer

1. The processor vapor integrity shall demonstrate compliance with the static pressure decay criteria of TP-201.3 and Exhibit 4.
2. Unless there is maintenance or testing being conducted on the processor, the processor shall be on (power lamp is lit). The ball valve on the inlet of the processor shall be locked in the open position shown in **Figure 2B-5** and the 3-Way Valve handle shall be pointing down in the Normal Operating Position (Opened to UST Ullage) shown in **Figure 2B-6** during normal processor operation. The handles of the ball valves shall not be removed.
3. The processor shall be installed at least 20 feet from the pressure/vacuum vent valve(s) and the associated piping shall be sloped 1/8" per foot minimum toward the vent line(s) or tank fitting.
4. The VCS 100 Indicator Panel shall be installed at a location that is most likely to be occupied by the station attendant during normal station operation (e.g., cash register).
5. The processor shall activate when the processor is exposed to an atmospheric pressure input and the Processing lamp at the Indicator Panel shall light within three (3) minutes as determined by Exhibit 13.
6. When the processor is exposed to an atmospheric pressure input, the MALFUNCTION lamp at the Indicator Panel shall light within sixty two (62) minutes as determined by Exhibit 13.
7. If the MALFUNCTION lamp lights, the system is not in proper working order. The GDF owner/operator shall immediately take the following actions:
 - a. record the date and time the MALFUNCTION lamp lit in the station's maintenance and alarm records;
 - b. investigate the cause of the MALFUNCTION light as provided by section 16 of the Installation, Operations, and Maintenance Manual. Record results of inspections, maintenance, and/or testing conducted in the station's maintenance and alarm records; and if necessary,
 - c. record the date and time when the GDF owner/operator called the maintenance contractor for service.

Franklin Fueling Systems Clean Air Separator Pressure Management System

1. The Clean Air Separator vapor integrity shall be evaluated using the test procedure outlined in Exhibit 14 of the Executive Order.
2. The Franklin Fueling Systems Clean Air Separator shall be installed within 100 feet from the vent line(s), and the associated piping shall be sloped 1/8" per foot minimum toward the vent line(s).
3. Unless there is maintenance or testing being conducted on the Franklin Fueling Systems Clean Air Separator, the four ball valves shall be locked in the positions shown in **Figure**

2B-7 or **2B-7H** for normal Clean Air Separator operation. Figure 2B-7 applies to vertical CAS installations and Figure 2B-7H applies to horizontal CAS installations

Pressure/Vacuum Vent Valves for Storage Tank Vents

1. All P/V vent valves shall be an ARB certified P/V valve for a Phase I system.
2. At least one pressure/vacuum (P/V) vent valve shall be installed on each tank vent. The maximum number of P/V vent valves allowed and P/V vent valve performance specifications are listed in the applicable Phase I EVR Executive Order. Vent lines may be manifold to minimize the number of P/V vent valves and potential leak sources, provided the manifold conforms to all applicable fire regulations. However, the vents connecting the vapor inlet and vapor outlet to the VST ECS Membrane Processor cannot be manifold together.

Warranty

Each manufacturer listed in Exhibit 1 shall include a warranty tag with the certified component(s). The manufacturer warranty tag, included with each component, shall be provided to the service station owner/operator at the time of installation.

Vapor Recovery Piping Configurations

NOTE: Vapor Return Piping shall meet the requirements specified in section 4.11 of CP-201.

1. Vapor Return and Vent Lines

For facilities installed on or after April 1, 2003, all vapor return and vent lines shall be a minimum nominal internal diameter of 2 inches from the dispensers or the vent stacks to the first manifold. All lines after the first manifold and back to the underground storage tank shall have a minimum nominal internal diameter of 3 inches.

Note: Facilities permitted by a local district prior to April 1, 2003 shall be required to meet the three inch diameter standard only upon facility modification which involves the addition, replacement, or removal of 50 percent or more of the buried vapor piping.

2. All vapor return lines shall have a minimum slope of 1/8 inch per foot from the dispenser riser to the riser of the UST. A slope of 1/4 inch or more per foot is recommended wherever feasible.
3. The dispenser shall be connected to the riser with either flexible or rigid material that is listed for use with gasoline. The dispenser-to-riser connection shall be installed so that any liquid in the lines will drain toward the storage tank. The internal diameter of the connector, including all fittings, shall not be less than one inch (1").

Note: The dispenser-to-riser connection is defined as the piping connection between the dispenser piping and the inlet of the dispenser riser. A vapor shear valve may also be part of the riser connection.

4. There is no length restriction for the vapor return piping of the system as long as the system complies with the maximum pressure drop requirement, item 1 of the Vapor Collection section.
5. No product shall be dispensed from any fueling point at a GDF installed with the Balance Phase II EVR System if there is a vapor line that is disconnected and open to the atmosphere.
6. Bulk Plant Operations are not allowed with this system.

Dispensers

1. The dispenser vapor piping must be sized adequately to meet the maximum pressure drop requirement, item 1 of the Vapor Collection section.
2. Dispenser vapor piping shall be installed so that any liquid in the lines will drain toward the dispenser riser.

Liquid Condensate Traps

1. Liquid condensate trap connections and fittings shall not leak. Compliance with this requirement shall be verified by the use of commercial liquid leak detection solution or by bagging, when the vapor containment space of the underground storage tanks is subjected to a non-zero pressure. (Note: Leak detection solution will detect leaks only when positive gauge pressure exists).
2. The Liquid Level Sensor shall alarm within five (5) minutes when tested in accordance with Exhibit 16, **Liquid Condensate Trap Compliance Test**.
3. The Liquid Level Sensor audible alarm shall be installed at a location that is most likely to be heard by the station attendant during normal station operation (e.g. cash register).
4. The Liquid Evacuation System shall automatically evacuate gasoline when tested in accordance with Exhibit 16, **Liquid Condensate Trap Compliance Test**.
5. A metal tag specifying the capacity of the Liquid Condensate Trap shall be installed and maintained as specified in the Installation, Operation, and Maintenance Manual.

Phase I System

1. The Phase I system shall be an ARB-certified system that demonstrates compliance with the static pressure decay test criteria contained in TP-201.3 and Exhibit 4.

Maintenance Records

1. Each GDF operator owner shall keep records of alarms and maintenance performed at the facility. Such records shall be maintained on site in accordance with district requirements or policies. The records shall include alarm date and time, nature of the alarm, troubleshooting, maintenance or repair performed to validate and/or correct alarms, component, or system failures, date when maintenance or repair was conducted, name and Certified Technician Identification Number of individual conducting maintenance or test, affiliation, and telephone number. Additional information may be required in accordance with local district requirements. An example of a GDF maintenance and alarm form is shown in **Figure 2B-8**.
2. Maintenance shall be conducted in accordance with the Scheduled Maintenance section of the ARB approved Installation, Operation, and Maintenance Manual.

Vapor Recovery Equipment Defects

The following is deemed a defect for the affected grade point(s) or system.

Grade Points – VST Nozzles

1. The grade point shall be removed from service when more than 30% of a nozzle face seal is missing (e.g., a triangular or similar shape in which greater than 2.5 inches of the faceplate circumference is missing (accumulated)).
2. The grade point shall be removed from service when more than 0.4 square inches of a nozzle vapor collection sleeve is missing (e.g., a rectangular shape of greater than nine/sixteenth (9/16) inches or more on each side, a circular shape of eleven/sixteenth (11/16) inches or more in diameter, or a triangular shape of seven/eighth (7/8) inches on the side.
3. The grade point shall be removed from service when the total slit length in the convolutions exceeds 18 inches as determined by direct measurements.

Grade Points – EMCO Nozzles

4. The grade point shall be removed from service when more than 0.4 square inches of a nozzle boot face material is missing (e.g., a triangular or similar shape in which greater than 7/16 inches of the boot face circumference is missing (accumulated)).
5. The grade point shall be removed from service when there is slit across seven (7) consecutive bellows convolutions as determined by direct measurements.
6. The grade point shall be removed from service when there is a 360 degree cut around the bellows convolution.

Grade Points – General

7. The grade point shall be removed from service when the dispensing rate is greater than ten (10.0) gallons per minute (gpm) or less than five (5.0) gpm as determined by the applicable provisions of section 6 or 7 of Exhibit 5 or by direct observation for 30 seconds minimum at the maximum hand held position.
8. The grade point shall be removed from service when a hose is found to have greater than 150 ml of gasoline in the vapor side as determined by sections 6.1 to 6.5 of Exhibit 5. Note: Prior to draining gasoline from the vapor side of the hose, use Emco tool P/N 494635EVR (for EMCO EVR nozzle) or VST tool P/N VST STP 100 (for VST EVR nozzle) and plug the fuel spout. **Do not activate dispenser when draining gasoline from the vapor side of the hose.**
9. The fueling point shall be removed from service when the system pressure drop exceeds the following conditions as determined by Methodology 1 of TP-201.4 and Exhibit 6:
 - 0.95 inches WC at a flow rate of 60 CFH of Nitrogen; and
 - 1.52 inches WC at a flow rate of 80 CFH of Nitrogen.

10. The grade point shall be removed from service when any hose has a visible opening as determined by direct observation.
11. The grade point shall be removed from service when any nozzle lever has spring tension (live lever) when the vapor recovery sleeve or bellows is uncompressed as determined by the weekly interlock inspection procedure per IOM Section 2.
12. The grade point shall be removed from service when the nozzle automatic liquid shut-off mechanisms malfunction in any manner as determined by EPO No. 26-F (See Vapor Recovery Equipment Defects List) or direct observation.
13. The grade point shall be removed from service when any nozzle has a defective vapor valve as determined by Exhibit 7 or when the vapor valve has a leak rate that exceeds 0.07 cubic feet per minute at a pressure of two (2) inches WC as determined by TP-201.2B.
14. The grade point or system shall be removed from service when any component required by this Executive Order is absent, installed improperly or disconnected as determined by direct observation.

System with VST ECS Membrane Processor

1. Unless there is maintenance or testing being conducted on the VST ECS membrane processor, the system shall be removed from service when the three ball valves on the VST ECS membrane processor are not locked in the proper operating configuration (**Figure 2B-3**) as determined by direct observation.
2. Unless there is maintenance or testing being conducted on the VST ECS membrane processor, the system shall be removed from service when the ECS membrane processor is not in the automatic vapor processor mode as determined by the Diagnostic section of the Pressure Measurement Control (Section 12) of IOM.

System with VST Green Machine Processor

1. Unless there is maintenance or testing being conducted on the VST Green Machine processor, the system shall be removed from service when the two ball valves on the VST Green Machine processor are not locked in the proper operating configuration (**Figure 2B-8**) as determined by direct observation.
2. Unless there is maintenance or testing being conducted on the VST Green Machine processor, the system shall be removed from service when the Green Machine processor is not in the automatic vapor processor mode as determined by the Diagnostic section of the Pressure Measurement Control Install, Setup, & Operation Manual (Section 12 of IOM).
3. Unless there is maintenance or testing being conducted on the VST Green Machine processor, the system shall be removed from service when the Green Machine controller is not on as determined by the VST Control Panel section of IOM Section 18.

System with Veeder-Root Vapor Polisher

1. Unless there is maintenance or testing being conducted on the Veeder-Root Vapor Polisher, the system shall be removed from service when the ball valve on the Vapor Polisher is not locked in the proper operating configuration (**Figure 2B-4**) as determined by direct observation.
2. Unless there is maintenance or testing being conducted on the Veeder-Root Vapor Polisher, the system shall be removed from service when the Vapor Polisher is not in the automatic vapor processor mode as determined by the Diagnostic section of the Pressure Measurement Control (Section 15) of IOM.

System with Hirt Thermal Oxidizer

1. Unless there is maintenance or testing being conducted on the Hirt Thermal Oxidizer, the system shall be removed from service when the ball valve on the Thermal Oxidizer is not locked in the proper operating configuration (**Figure 2B-5**) as determined by direct observation.
2. Unless there is maintenance or testing being conducted on the Hirt Thermal Oxidizer, the system shall be removed from service when the Thermal Oxidizer Indicator Panel is not in the "power on" position (power lamp is lit).

System with Franklin Fueling Systems Clean Air Separator

1. The system shall be removed from service when the Franklin Fueling Systems Clean Air Separator fails the leak decay test outlined in Exhibit 14.
2. Unless there is maintenance or testing being conducted on the Franklin Fueling Systems Clean Air Separator, the system shall be removed from service when the four ball valves are not locked in the positions shown in **Figure 2B-7** or **2B-7H** for normal Clean Air Separator operation. Figure 2B-7 applies to vertical CAS installations and Figure 2B-7H applies to horizontal CAS installations.

Veeder-Root PMC System Specifications

TLS Console & PMC Software Version Number

The TLS console shall be installed in a location that allows the RS232 port to be easily accessible, and if applicable, per district requirements, for use at anytime. A vacant RS232 serial port shall always be available to electronically download reports.

The presence of PMC and the PMC software version number can be verified on the TLS Console LCD screen by using the <STEP> key or by using the TLS Console <PRINT> key to print and review the latest PMC Daily Report.

The TLS Console must have a printer as well as an RS232 interface port.

The term "TLS Console" used throughout this Exhibit includes but is not limited to TLS-350, TLS-350 Plus, TLS-350-R, Red Jacket ProMax, and Gilbarco EMC consoles, which are also referenced in Exhibit 1.

If the TLS Console is equipped with security features which prohibit access to the TLS Console, instructions to override these security features shall be maintained on site in accordance with air district requirements and shall be available to the air district upon request. If Veeder-Root's "Maintenance Tracker" is installed and enabled, access to the "diagnostic mode" and "set-up mode" of the TLS Console is prohibited unless a Maintenance Tracker Technician Key or personal computer equipped with Veeder-Root's ISD Setup Tool Software Version 1.09 or higher is made available. Maintenance Tracker is an optional security device designed to prevent unauthorized tampering and clearing of Veeder-Root tank monitoring and ISD alarms. Maintenance tracker resides within the TLS console and when enabled, a message will appear on the two line display of the TLS console. For additional instructions on how to access the desired parameters to complete this test procedure, see Exhibit 18; "Accessing PMC and ISD Parameters at Gasoline Dispensing Facilities (GDFs) with Veeder-Root's "Maintenance Tracker" Security Feature Installed & Enabled".

Vapor Pressure Sensor Operability Test Procedure

The Veeder-Root vapor pressure sensor operability test procedure provided in Exhibit 10 and the applicable ***ARB Approved Installation, Operation and Maintenance Manual*** (IOM), shall be used at GDF sites to determine the operability of the Veeder-Root PMC system to comply with applicable performance standards and performance specification in CP-201. Testing the PMC equipment in accordance with this procedure will verify the proper selection, setup and operation of the TLS Console sensors and interface modules.

The Vapor Pressure Sensor

The Veeder-Root PMC system requires one Vapor Pressure Sensor per GDF installed into one of the dispensers located closest to the tanks (If a row of dispensers are equal distance from the tank pad and within 10' of each other, any dispenser can be used), or on the vent stack, in accordance with the applicable **ARB Approved IOM Manual**. For vapor vent stack installation, determine which vapor vent stack line is closest to the tank being monitored. Select this line for the addition of the pressure sensor. The connection must be BELOW the Veeder-Root Carbon Canister if equipped in accordance with the applicable section of the **ARB Approved IOM Manual**.

Note: Installation of a Veeder-Root pressure sensor is only required at facilities equipped with a Veeder-Root Vapor Polisher, VST Green Machine, or VST Membrane processor. For these facilities, a wired pressure sensor may be installed at either the dispenser or on the vent stack. Or, for these facilities, a wireless pressure sensor may be installed on the vent stack, as per the IOM. **Figure 2B-9** shows a typical image of the vapor pressure sensor and optional dryer tube. **Figure 2B-10** shows a typical image of the optional wireless components. **Figure 2B-11** shows a typical wired sensor dispenser installation configuration. **Figure 2B-12** shows a typical wired sensor vapor vent stack installation configuration. **Figure 2B-13** shows the wireless vapor pressure sensor installed in the required Universal Enclosure.

RF Wireless Components

The Veeder-Root wireless components must be installed in accordance with **Section 19: TLS RF Wireless 2 System (W2) Installation and Maintenance Guide of the ARB Approved IOM**. The wireless system consists of the following devices (**Figure 2B-11**):

- a. TLS RF Console-2 Box
- b. RF Transmitter-2
- c. RF Transmitter Battery Pack
- d. RF Repeater-2
- e. RF Receiver-2

The transmitter automatically identifies the type of sensor (i.e. carbon canister vapor valve, pressure sensor, or flow meter) connected to it and polls it periodically. The collected data is converted to radio format and transmitted through air to the receiver. The TLS RF provides this data to the TLS Console on the next poll by the TLS Console. To prevent adjacent GDFs with wireless equipment from interfering with each other's transmissions, dip switches on the Transmitter and Receiver are used to configure a site ID. The Repeater is not required, but may be installed as needed to provide a second path for the wireless signal traveling from the Transmitter to the Receiver.

Maintenance Tracker Kit

The Maintenance Tracker kit consists of the following devices:

- Technician Key
- Interface Module RS232/485 Dual Module with DB9 Converter or Single Port Module with DB 25 converter
- Manual

Training Program

All Veeder-Root contractors must successfully complete the applicable Veeder-Root training program before they can install, startup, and service TLS Console equipment as shown in the following table:

Veeder-Root Contractor Training Certification Requirement Table

Veeder-Root Contractor Certification Requirements	Installer Certification ⁶	ATG Technician Certification ⁷	VR Vapor Products Certification ⁸
Install ¹ ISD	√	√	√
Install PMC	√	√	√
Install CCVP	√	√	√
Install Wireless ISD/PMC	√	√	√
Installation Checkout ²		√	√
ATG Startup ³ / Training ⁴ / Service ⁵		√	√
ISD Startup / Training / Service			√
PMC Startup / Training / Service			√
CCVP Startup / Training / Service			√
Wireless ISD/PMC Startup / Training / Service			√
Install Pressure Sensor (ATG)	√	√	√
Maintain Pressure Sensor (ATG)		√	√
Calibrate Pressure Sensor (ATG)		√	√
Clear ATG Pressure Sensor Alarm (ATG)		√	√
Clear ISD/ PMC alarms (ISD/PMC)			√
¹ Perform wiring and conduit routing; equipment mounting ² Inspect wiring and conduit routing; equipment mounting ³ Turn power on, program and test the systems ⁴ Provide supervised field experience in service techniques and operations ⁵ Troubleshoot and provide routine maintenance as specified in the IOM ⁶ UST Monitoring Systems – Installer (Level 1) ⁷ Certified UST Monitoring Technician ⁸ VR Vapor Products Note: A current Veeder-Root Installer Certification is a prerequisite for the ATG Technician Certification course.			

The schedule, fee, and registration information for the Authorized Service Contractor (ASC) training program can be found at <http://www.Veeder.com>. To confirm TLS Console or ISD training a regulator should send an email to technicaltraining@gilbarco.com with the name (and company) of the ASC to obtain verification of the ASC TLS Console/ISD training status or call 800-997-7725 and press "4" to get to the Veeder-Root menu and then "*" to speak to a representative or sign on to the Gilbarco Learning Suite at <http://wise.gilbarco.com>.

Maintenance

The TLS console, including interface modules, does not require scheduled maintenance. PMC System Self-Test Monitoring algorithms are designed to verify proper selection, setup and operation of the TLS console and sensors.

There is no recommended maintenance, inspection nor calibration for the Vapor Pressure Sensor. Servicing should be performed in response to warning or alarm conditions.

Figure 2B-1
Model VST-EVR- NB Nozzle

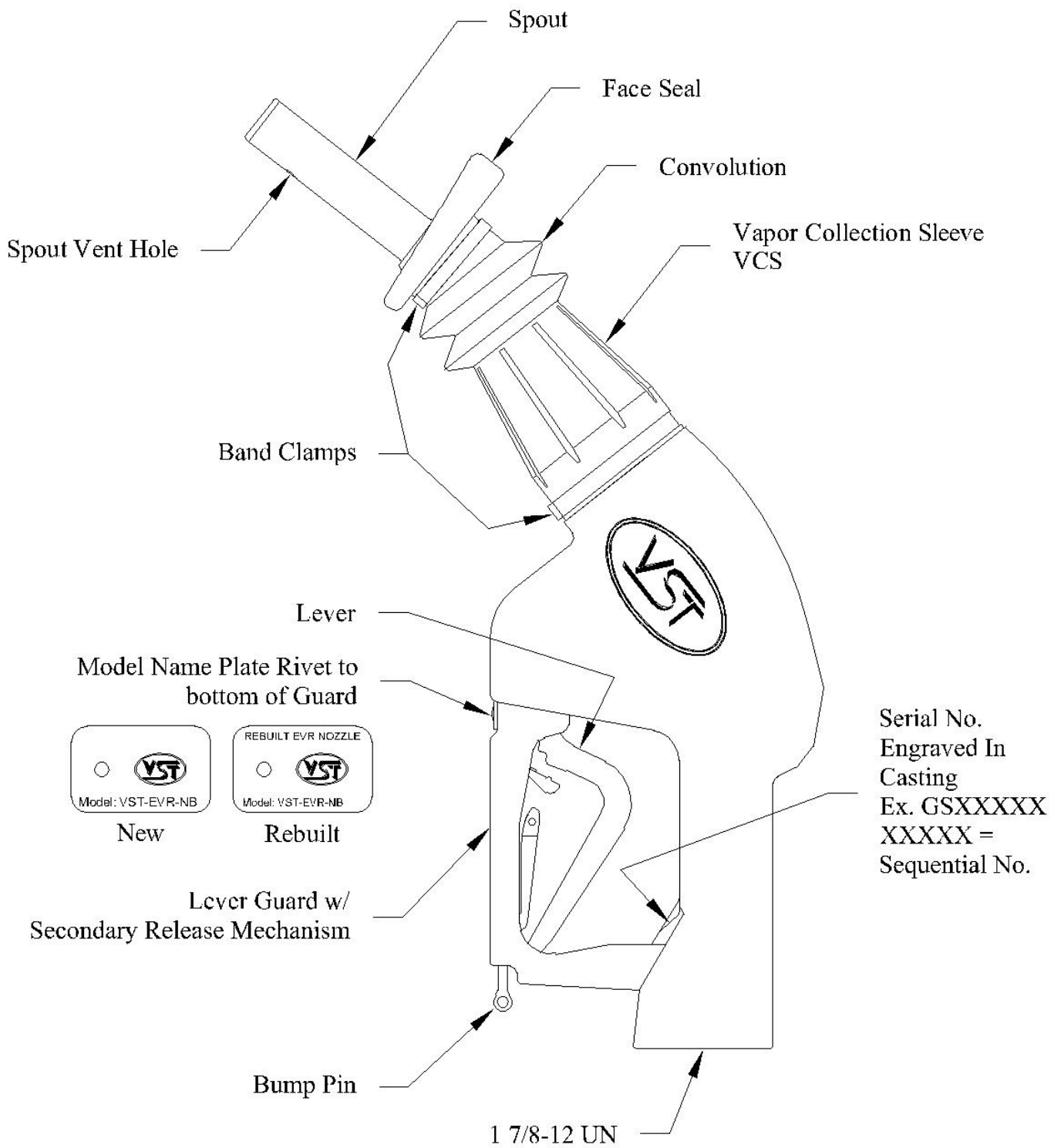


Figure 2B-1
Model VST-EVR- NB (G2) Nozzle

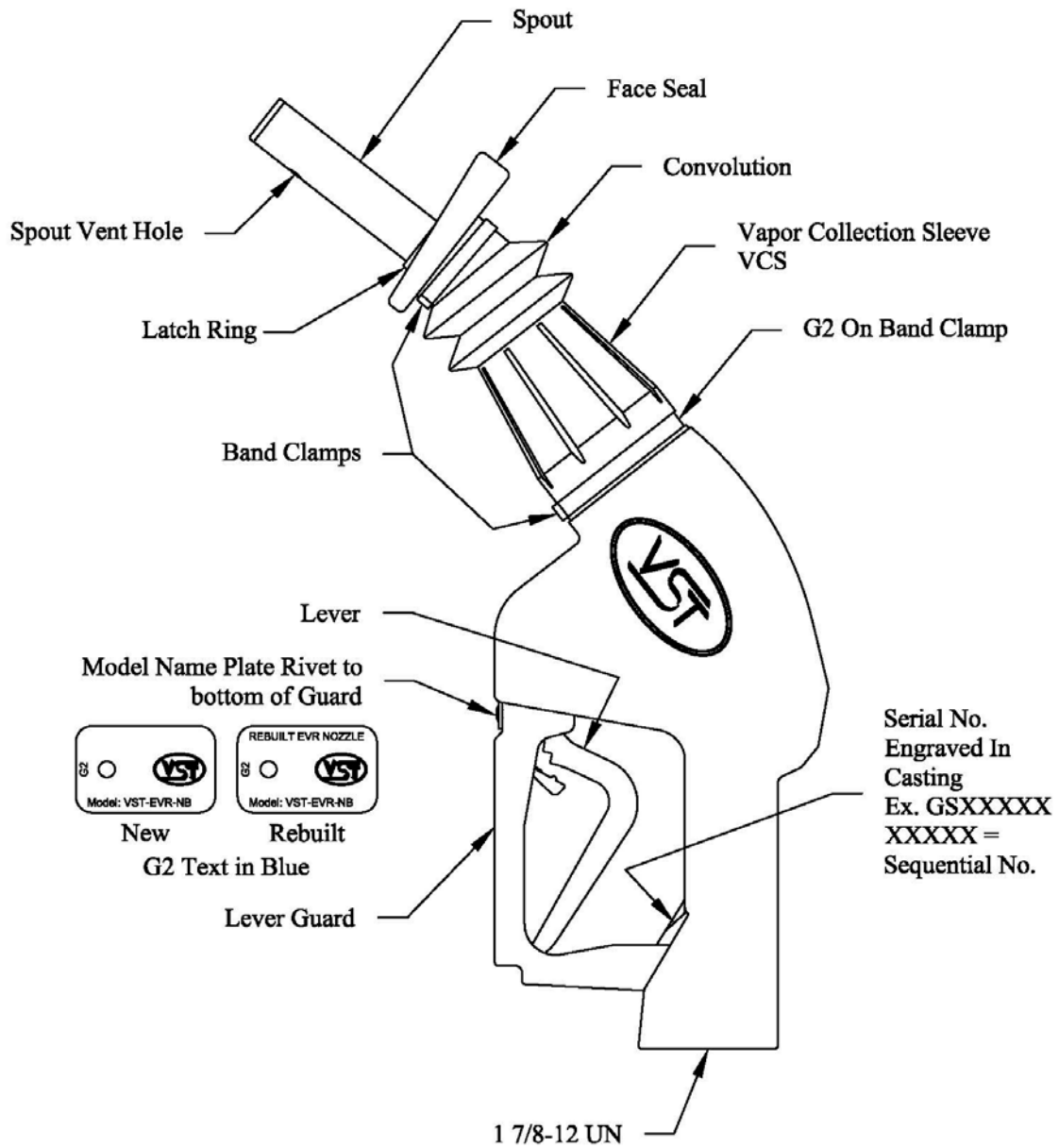


Figure 2B-2
EMCO Model A4005EVR Nozzle

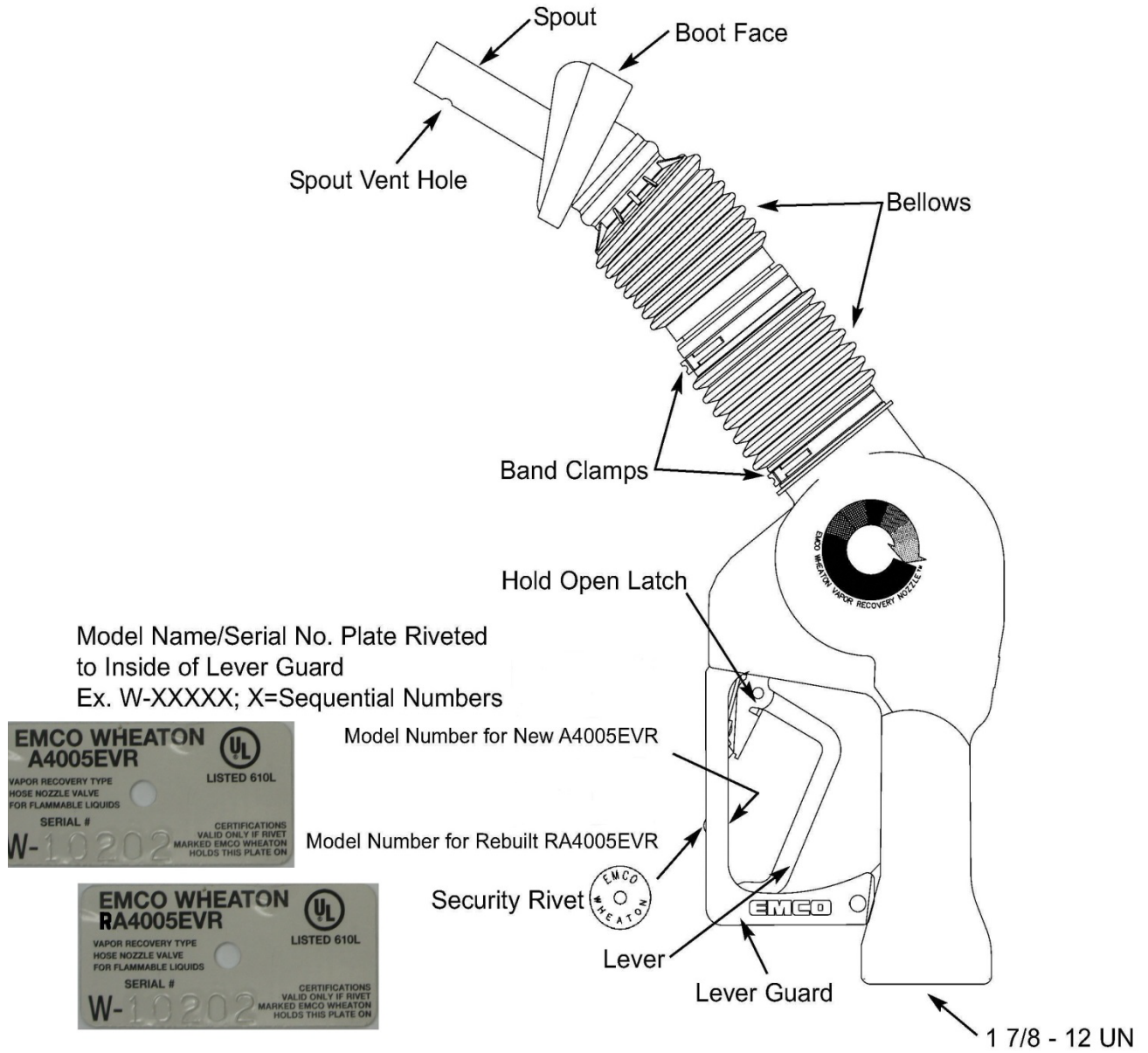
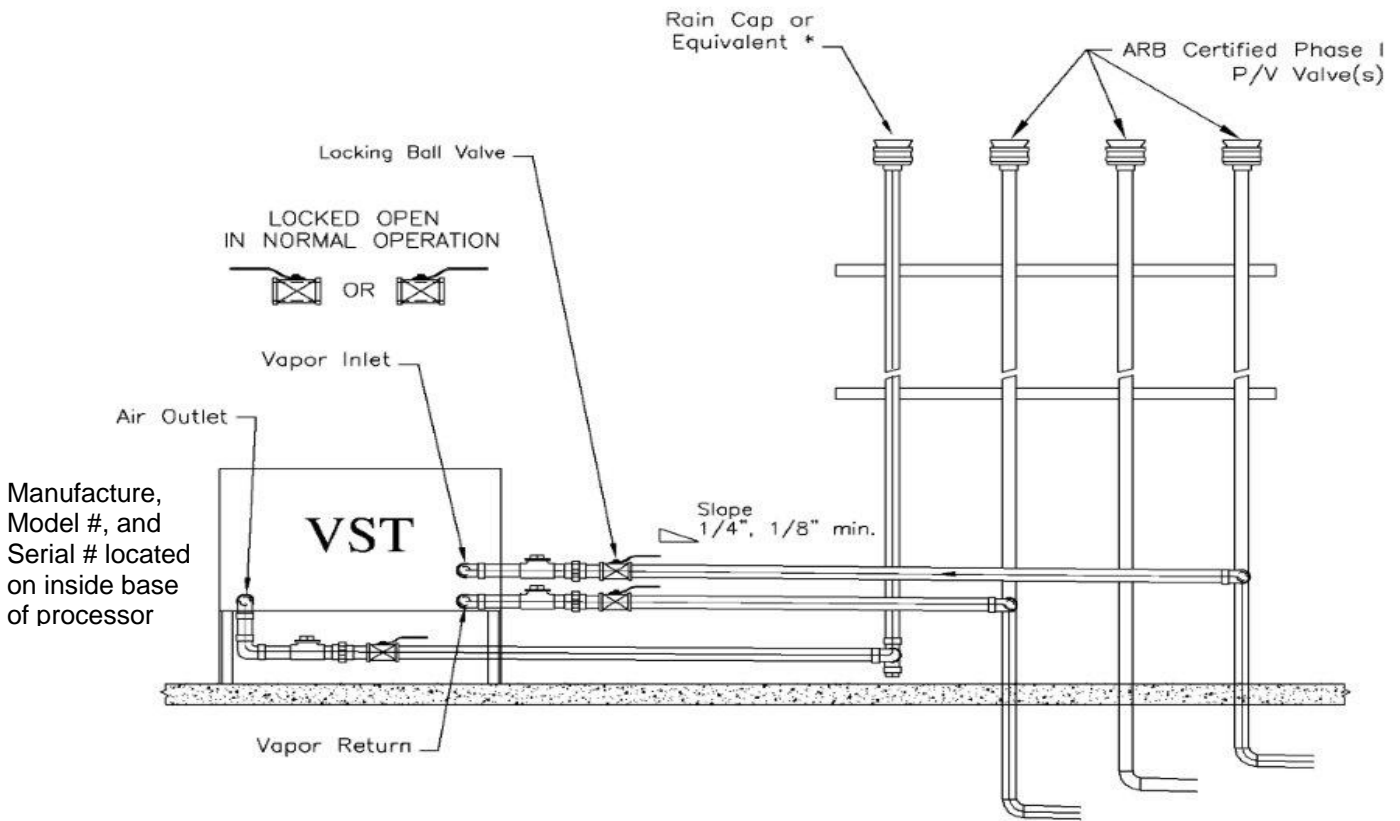


Figure 2B-3
Typical VST-ECS-CS3 Membrane Processor



CAUTION: THE HANDLES ON THE LOCKING BALL VALVES MUST NOT BE REMOVED

* If a P/V valve is used, the internal components MUST be removed to allow open venting to the atmosphere.

Figure 2B-4
Typical Veeder-Root Vapor Polisher

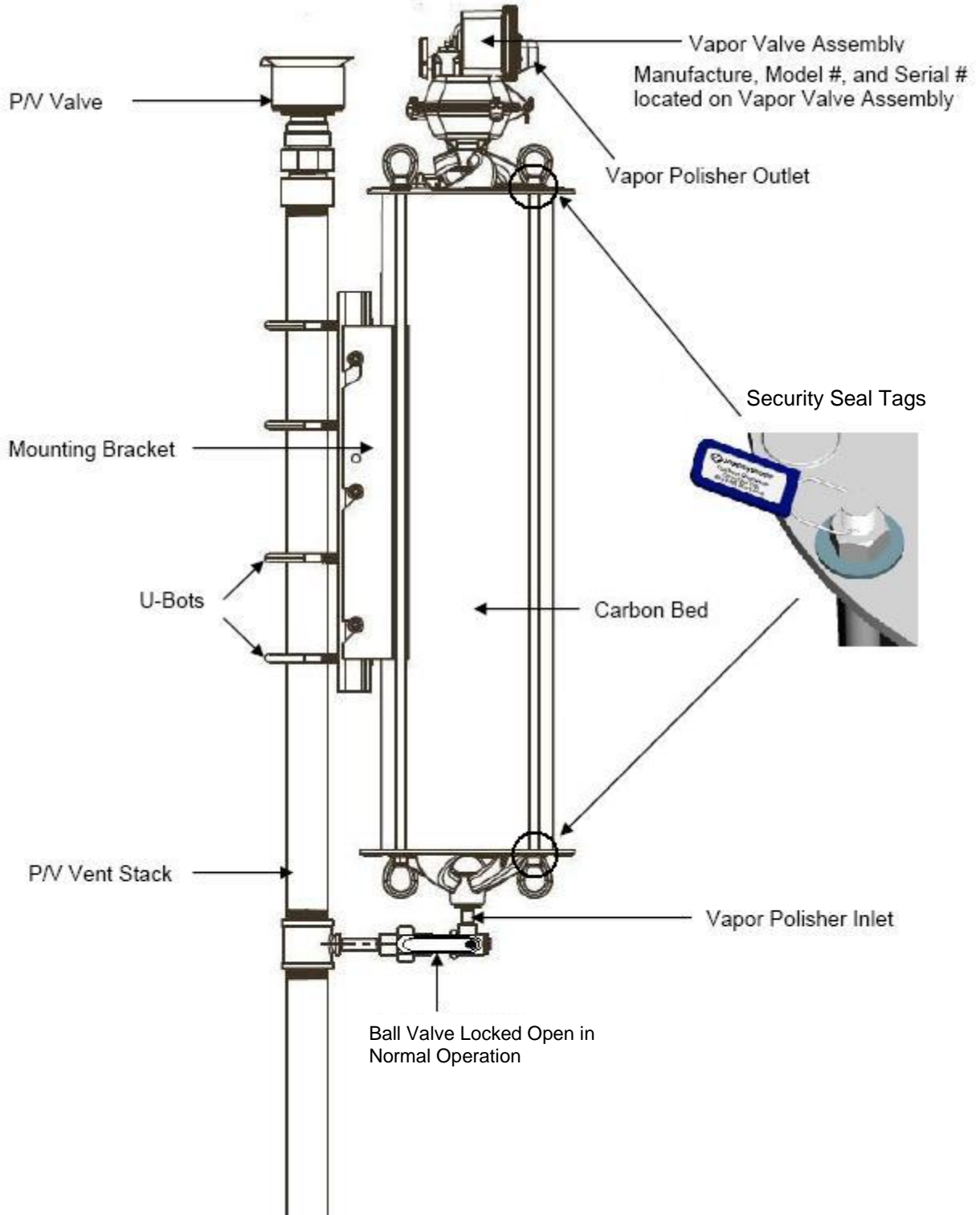


Figure 2B-5
Hirt VCS 100 Thermal Oxidizer
(shown in normal operation)

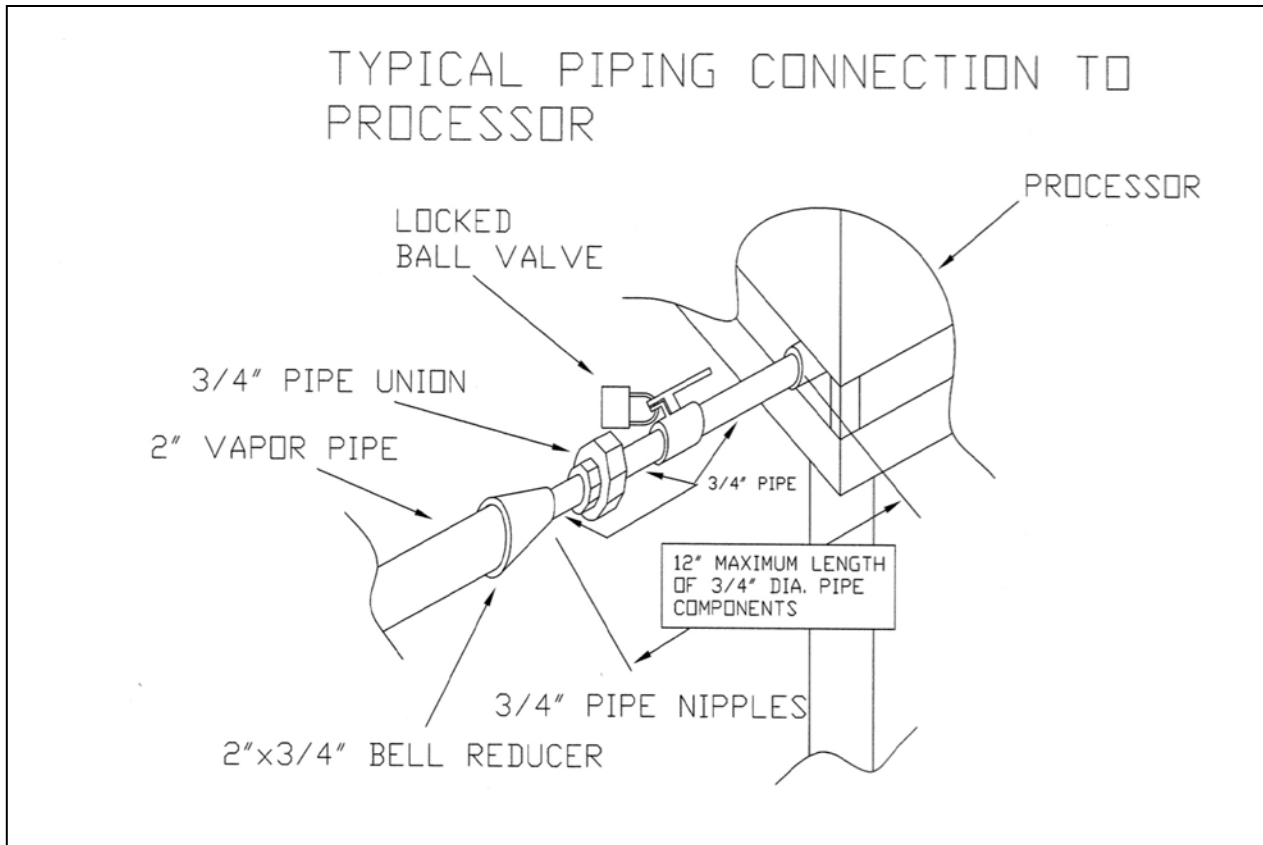
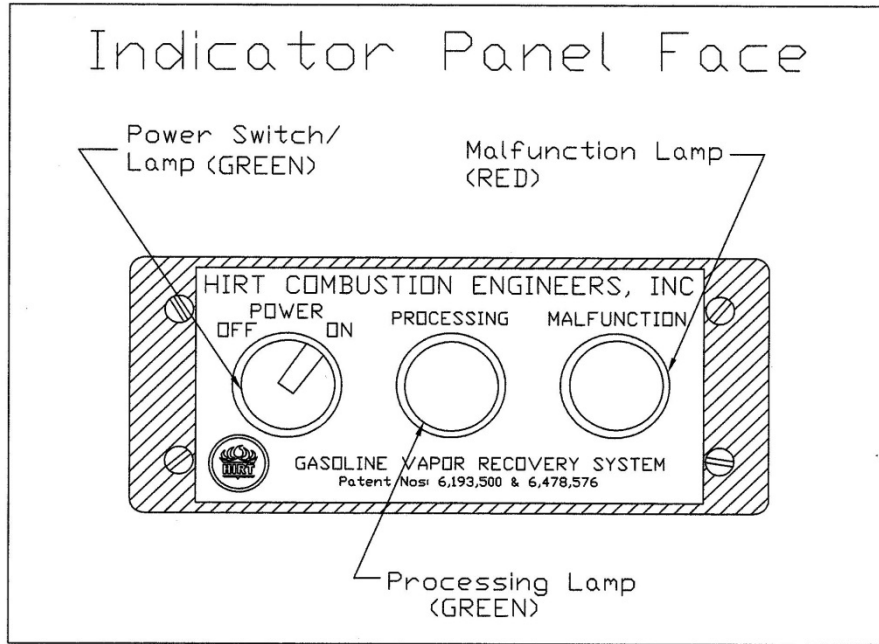


Figure 2B-6
Hirt VCS 100 Thermal Oxidizer
(3-Way Valve shown in normal operation)

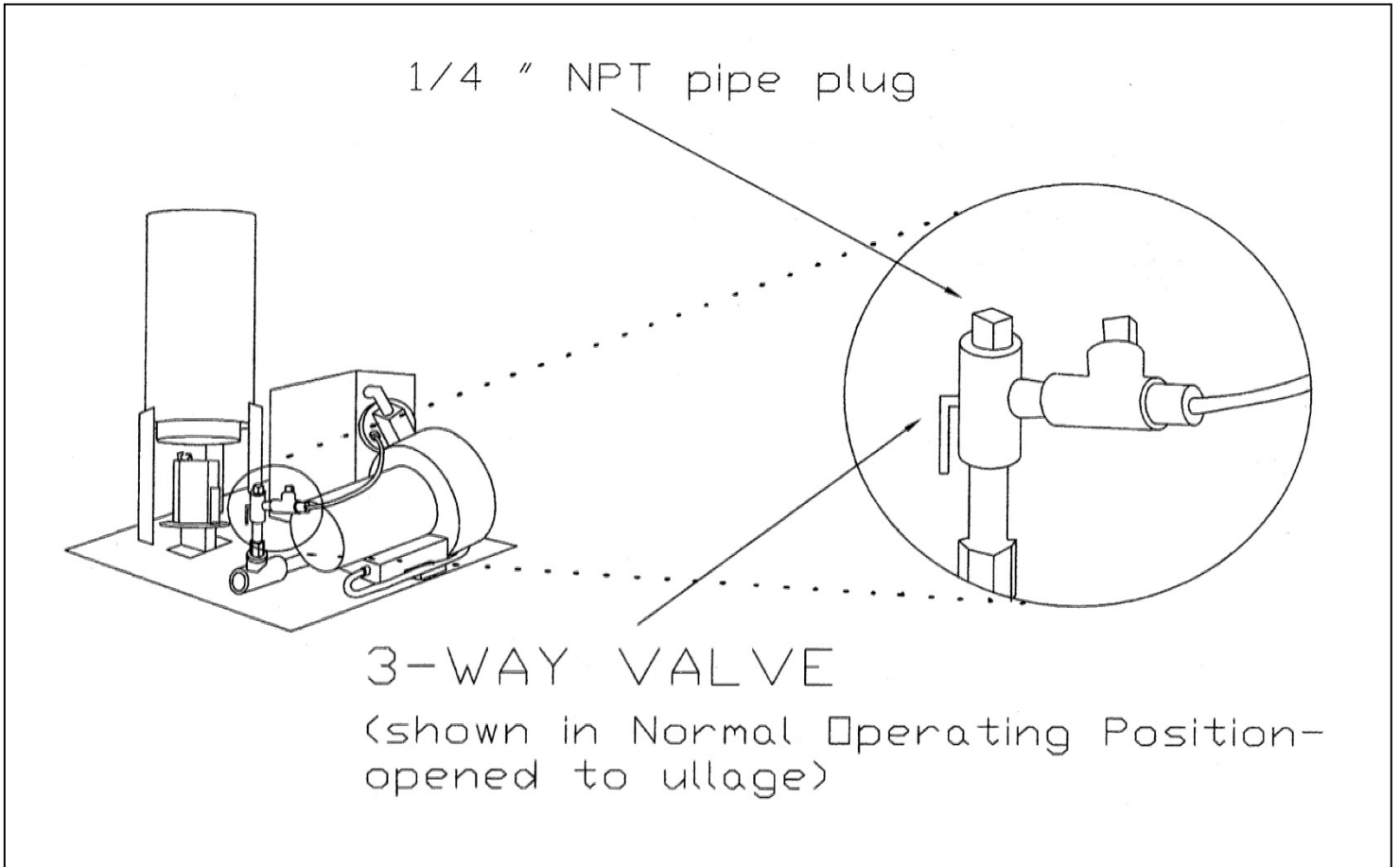


Figure 2B-7
Clean Air Separator Normal Operation Configuration

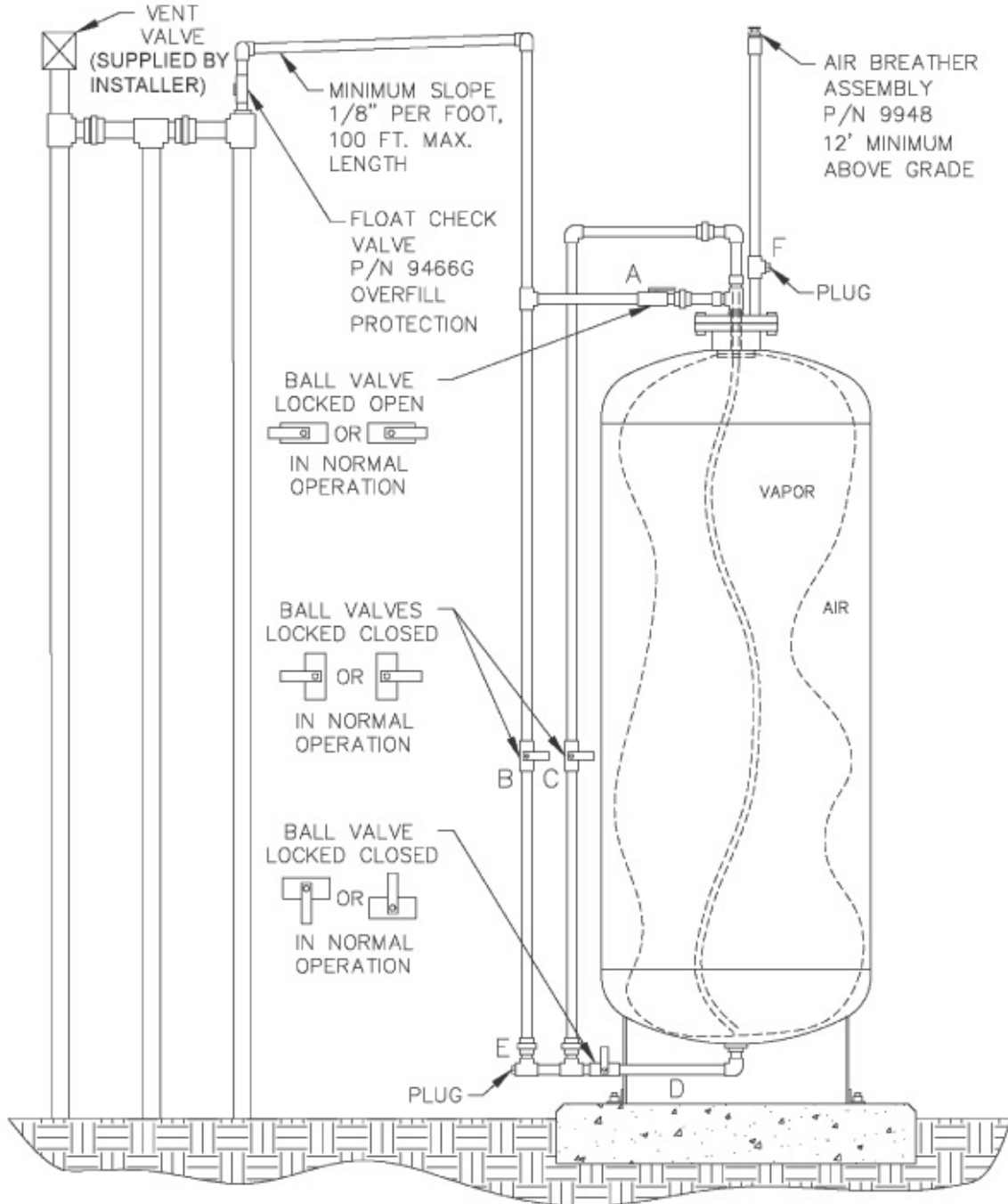


Figure 2B-7H
Clean Air Separator Normal Operation Configuration

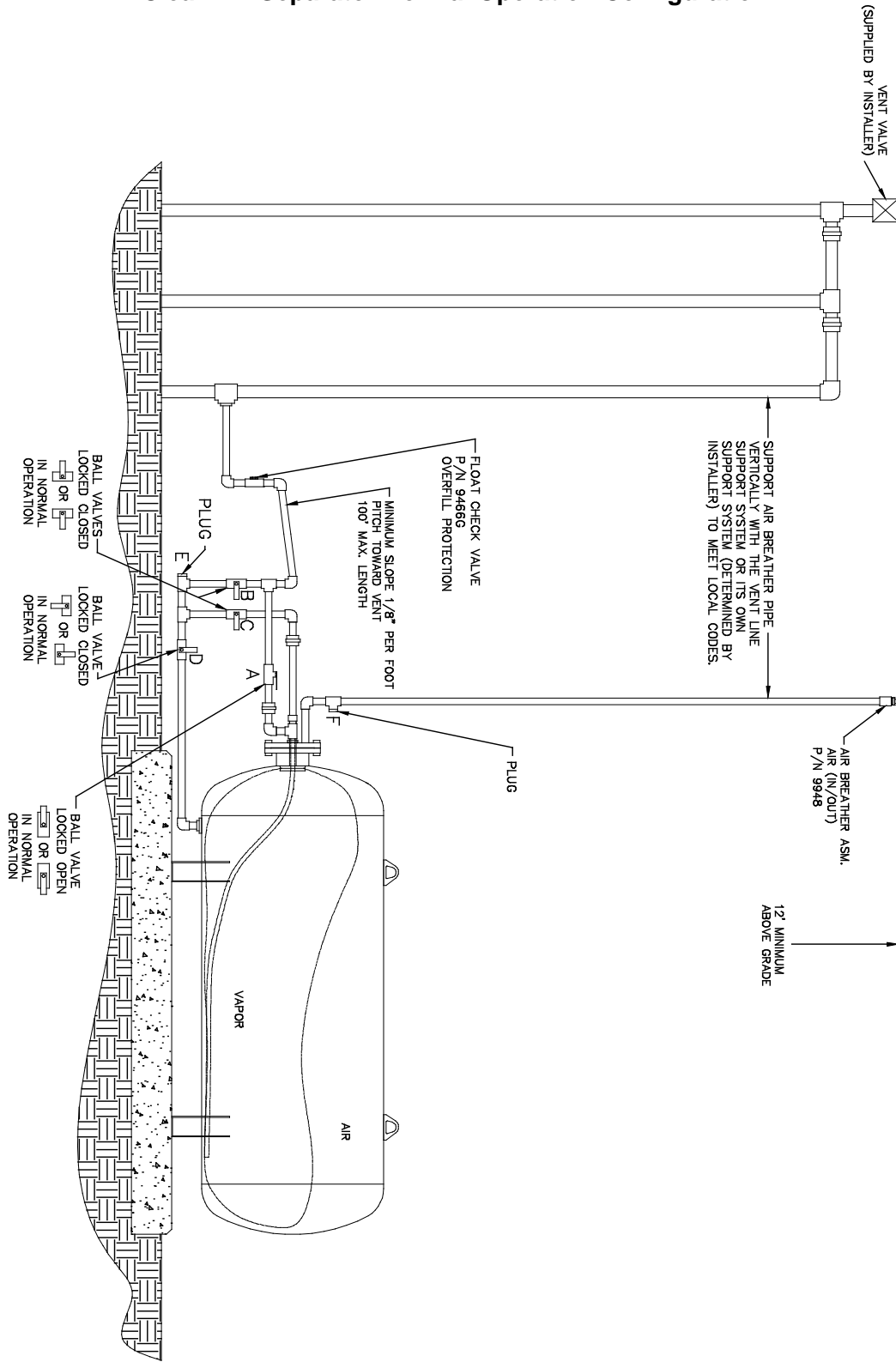
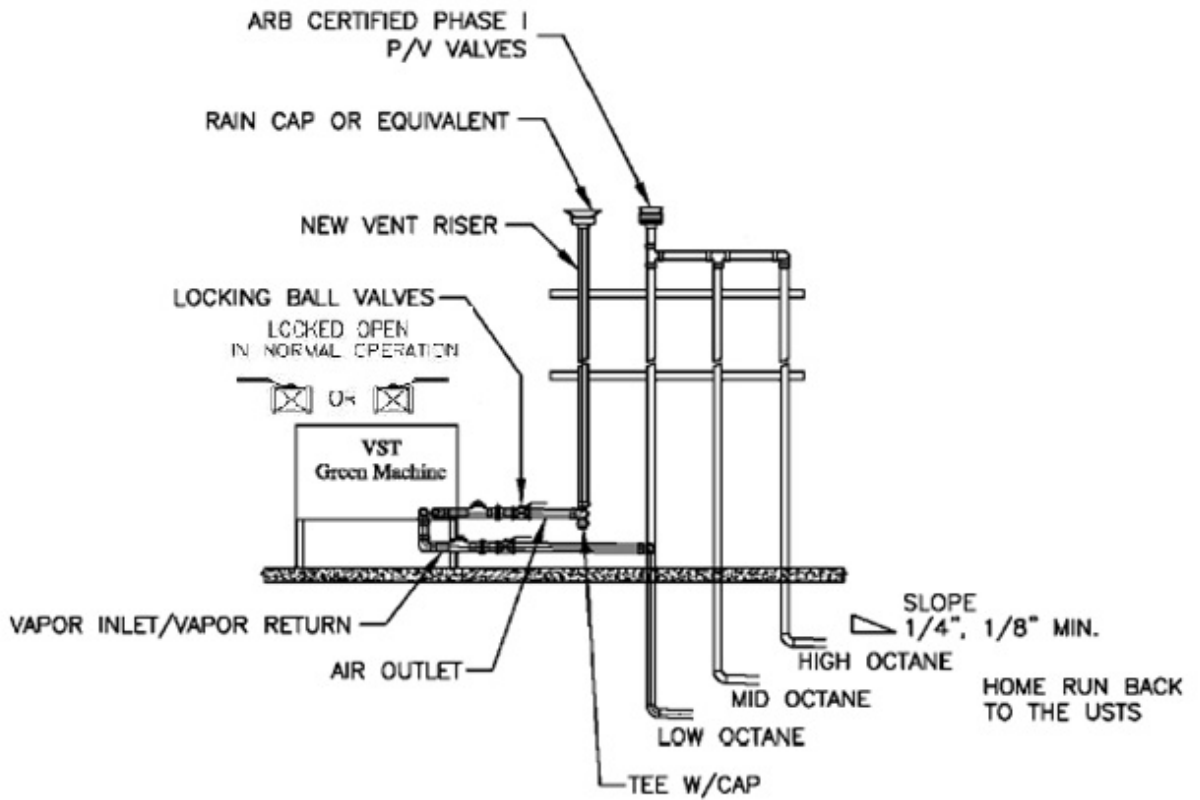
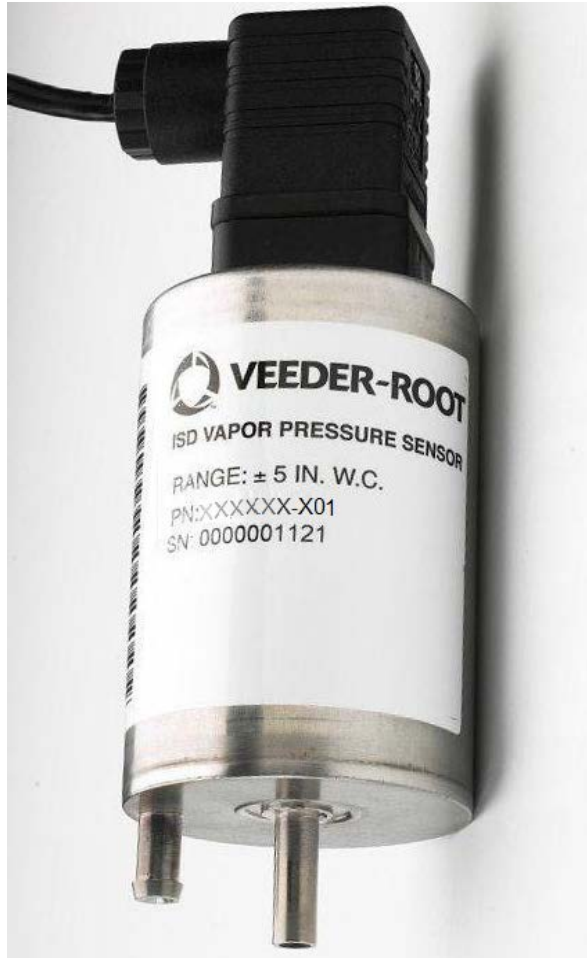


Figure 2B-8
Typical VST-GM-CS1-100 Green Machine Installation



**Figure 2B-9
Veeder-Root Vapor Pressure Sensors**



Veeder-Root Model # XXXXXX-XXX

Where X=	
Wired	331946-001
Low Powered	861190-201



Veeder-Root Model #330020-717 Dryer Tube

Figure 2B-10
Veeder-Root Wireless Components



Wireless TLS RF Console



Wireless Receiver



Wireless Repeater



Wireless Transmitter



Wireless Battery Pack



Wireless Enclosure

Figure 2B-11

Wired Veeder-Root Vapor Pressure Sensor – Typical Dispenser Installation

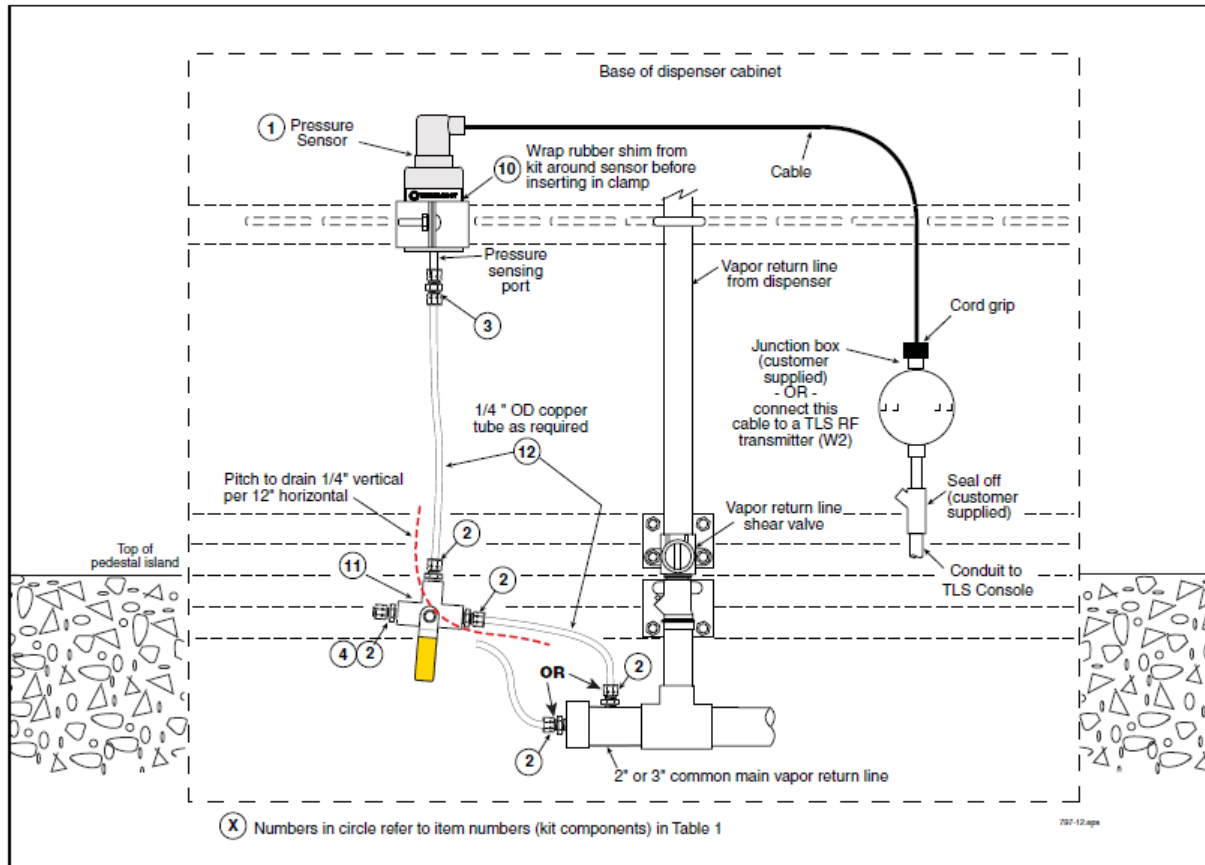


Figure 2B-12

Wired Veeder-Root Vapor Pressure Sensor – Typical Installation on the Vapor Vent Stack

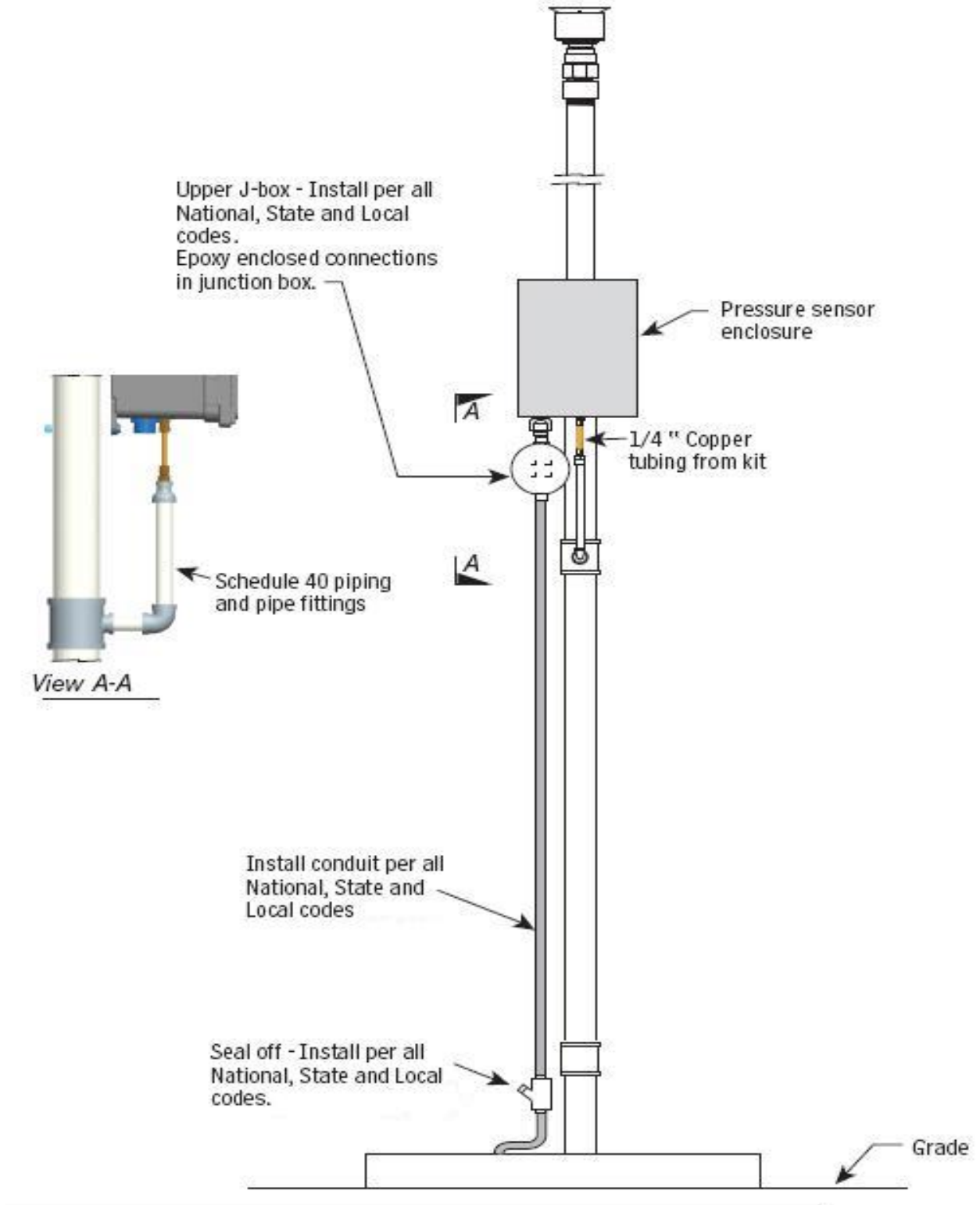
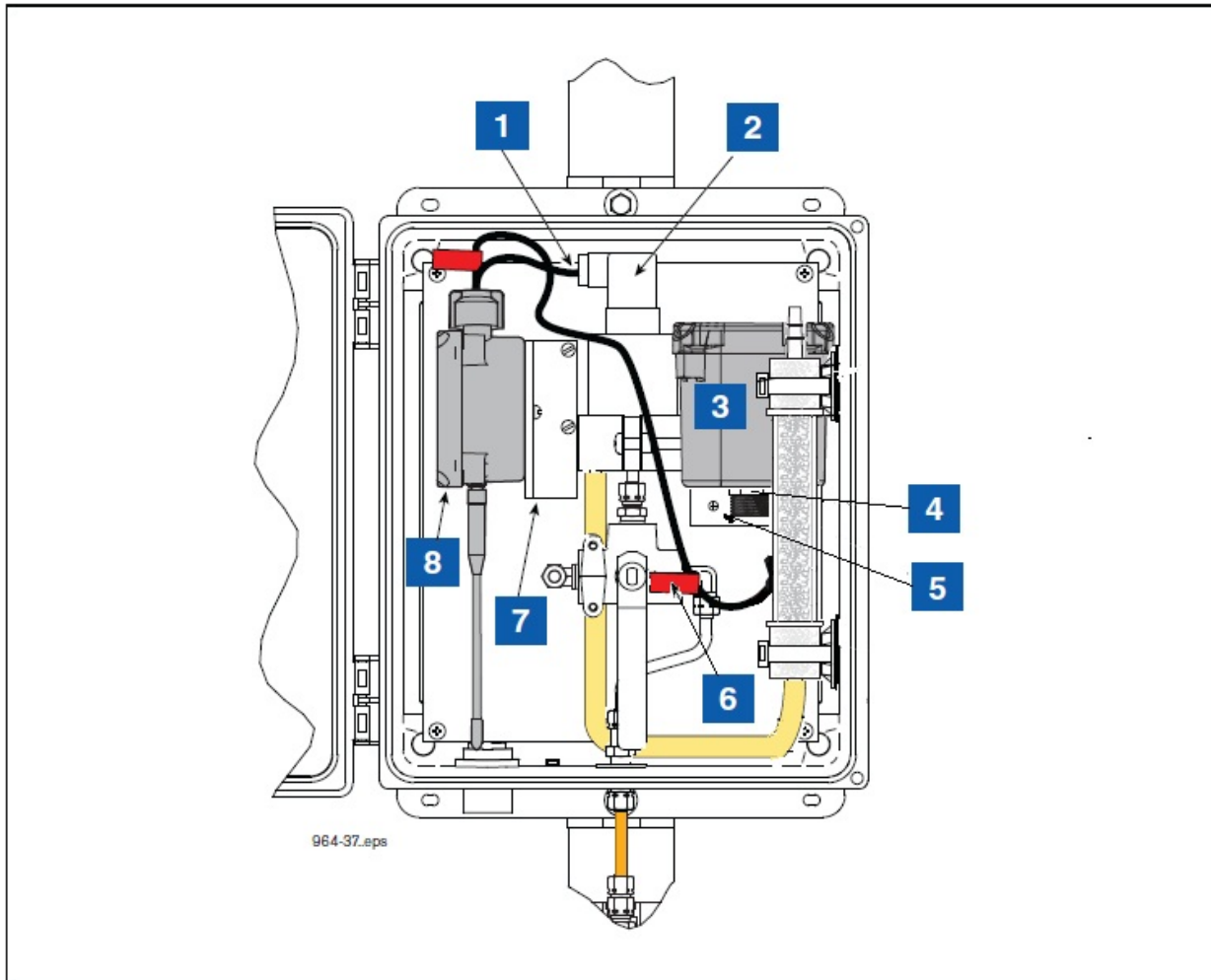


Figure 2B-13
Wireless Veeder-Root Vapor Pressure Sensor - Typical Vent Stack Enclosure
Installation Configuration



Example VRPS transmitter/battery pack installation in vent stack enclosure

LEGEND FOR NUMBERED BOXES	
1. VRPS cable	5. Attach Battery L bracket using two #10 taptite screws
2. VRPS	6. Battery caution label attached to battery cable (2 places)
3. Battery pack	7. Attach Transmitter L bracket using two #10 taptite screws
4. Thin hex nut	8. Transmitter

Figure 2B-14
Example of a GDF Maintenance Record and Alarm History Form

Date of Maintenance/ Test/Inspection/Failure /alarm history (including date and time of maintenance call)	Repair Date To Correct Test Failure	Maintenance/Test/Inspection Performed and Outcome/Action Taken in Response to Alarm	Affiliation	Name and Technician ID Number of Individual Conducting Maintenance or Test	Telephone Number