



Console DTU (Data Transfer Unit)

Installation Instructions

Overview

The TS-DTU will be installed in the dispenser when it is used as a Remote DTU or inside the building when used as a Console DTU. These installation instructions are to be used for installing the TS-DTU inside the building.

When used as a Console DTU, data is received from the Remote DTU units via power line communication. The data is then sent to the System Console (TS-550/5000/EMS) for processing. Unlike the Remote DTU units, the Console DTU will have no Intrinsically safe sensors connected to it.

Site Inspection

A licensed electrician should perform a site inspection before installing any equipment. The Console DTU must be connected to all electrical phases that supply power to dispensers containing Remote DTUs.

Check for any electrical isolation. Isolation between the electrical panel and the dispenser can result in poor or no communication with the DTU. Make sure there is not a power conditioner between the Console DTU and dispenser power.

Installation Procedure

Tools and Supplies Needed

• 1/2 " Cord grip/strain relief	• Small slotted screwdriver
• Multimeter	• Mounting screws
• 2-wire shielded cable	• 14 AWG wire (one for each phase and ground)

Step 1 – Remove System Power

Remove power from the TS-5XXX Series System Console and do NOT return power to the System Console or to the Console DTU until instructed to do so.



Electrical Hazard! Always disconnect power supplies before installing or servicing the console TS-DTU. Use proper lock-out and tag-out procedures to ensure no power is accidentally applied to the system. Failure to do so could result in severe injury or death.

Step 2 – Mounting the Console DTU

Mount the Console DTU as close to the circuit breaker panel that is supplying the dispenser(s). Remove the cover and insert a screw (not supplied) into each of the four corners of the enclosure. Mount the unit to the wall. You may optionally use the supplied mounting brackets.

Step 3 – Power Connection

The Console DTU may use the same circuit breaker as the System Console but **DO NOT** connect the power for the Console DTU inside the Console enclosure. Install a junction box or wire the Console directly to the circuit breaker panel.

Ideally, the circuit selected for the console power will be on the same phase as all dispensers and no further power connections will be required. If any dispensers are on a different phase, run wires from the L2 and L3 connections on the Console DTU to the appropriate circuit breakers for the required extra phases. If there is any question about what phase some of the dispensers are on, it is recommended to connect all three phases to the Console DTU.

Connect the neutral for the Console DTU to the same neutral supplying the dispensers. If there is not a clean neutral return for the DTU then poor quality may result.

Warning: Cycling power to the Console DTU without powering off the System Console will cause the System Console to reboot.

Installer must use conduit for connecting the DTU on the power connection side.

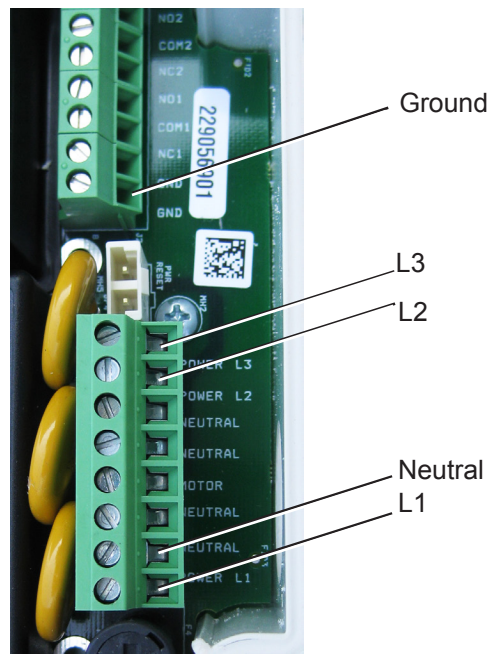


Figure 1: Power Connections to the Console DTU

Step 4 – Bus Termination Jumper Removal

The Console DTU will provide system bus termination when installed and running. Therefore the system bus termination currently provided by the Power Supply Module needs to be removed. Refer to the TS-5XXX Series Installation Guide for instructions on how to remove a module.

Be extremely careful when removing the power supply module so it does not rub against any other part of the system. After it is removed from the system, locate the system bus termination jumper JP1 and remove it (Figure 2).

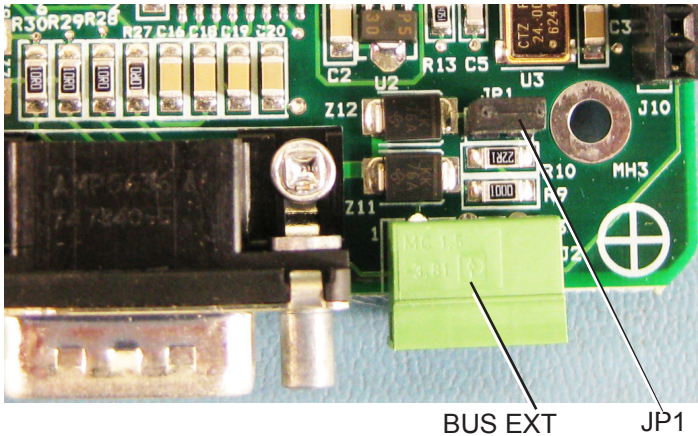


Figure 2: JP1 Location on the Power Supply Module

Re-Install the power supply module, securing it properly in place and replace the communication bracket as required.

Step 5 – Data Connection

The Console DTU acts as an external System Console module and therefore must be connected to the system bus. This is made possible via the external BUS EXT connection, located on the power supply module.

The bus connection requires 2-wire shielded cable and FFS recommends Belden 87761. On the Console DTU, the cable enters through the Intrinsicly Safe (I.S.) opening but is connected outside of the I.S. area, which is not used in the Console DTU. Therefore the I.S. shield will need to be removed and discarded. Secure the bus cable on the Console DTU side using a cord grip.

On the System Console communications bracket, locate the BUS EXT connector (Figure 4). The connector is removable for convenient wiring. Refer to the following table and make the proper BUS (HIGH, LOW, GND) connections (Figure 3). To make the necessary connections between the System Console and the DTU, plug the BUS EXT connector back into the System Console. Secure the bus cable so it is not accidentally disconnected.

Belden Cable	BUS EXT	Console DTU Connection
Red Wire	HIGH	HIGH
Black Wire	LOW	LOW
Shield	GND	GND

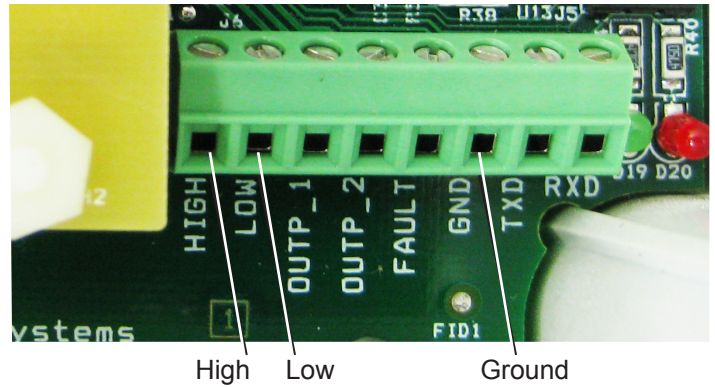


Figure 3: Console DTU BUS EXT Connection

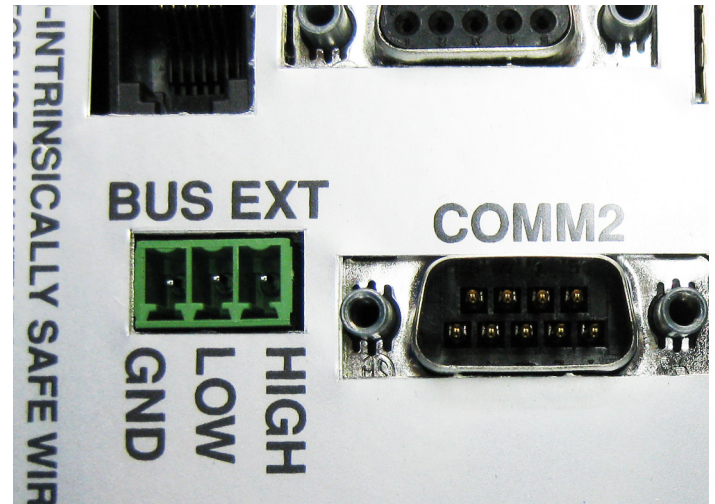


Figure 4: Console Side BUS EXT Connection

Step 6 – Review All Connections

Review power and data connections and make sure the cable is attached securely. Finally replace the Console DTU Cover.

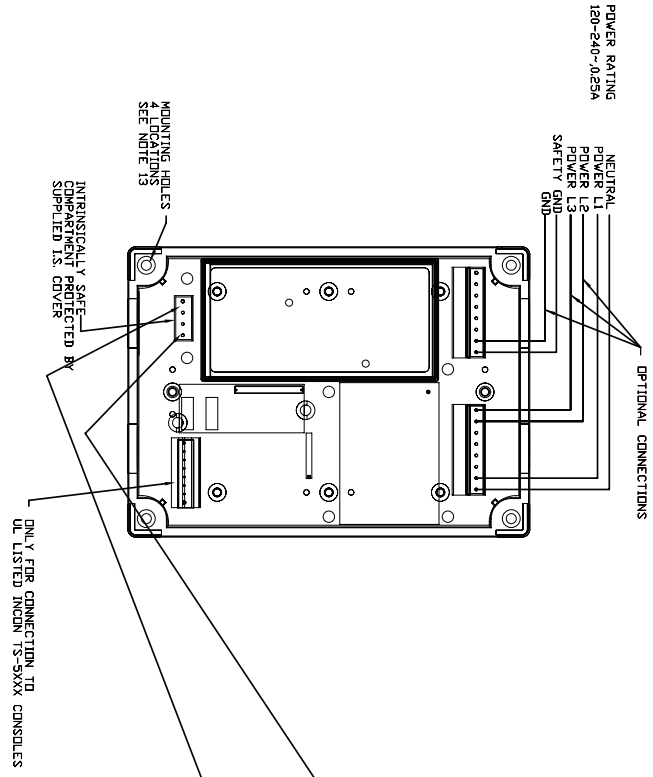
Step 7 – Power Up

Return power to the System Console and the newly installed Console DTU.

Related Documents

- 000-2146 DTU Dispenser Retrofit Manual
- 000-2142 T5 Console Programming Manual, rev D or higher
- 000-2150 T5 Installation Manual
- 000-2058 VRM IOM manual rev C or higher

- NOTES**
- 1) THE MODEL TS-DTU/P SHALL NOT BE CONNECTED TO ANY EQUIPMENT WHICH USES OR GENERATES GREATER THAN 250V.
 - 2) EACH GROUND TERMINAL SHALL BE CONNECTED TO A SUITABLE SYSTEM EARTH GROUND. THE DC RESISTANCE BETWEEN GROUND TERMINALS AND EARTH GROUND SHALL BE LESS THAN 1 OHM.
 - 3) THE MODEL TS-DTU/P WIRING SHALL BE INSTALLED IN ACCORDANCE WITH THE APPLICABLE NATIONAL OR LOCAL CODES. CONDUCTORS OF DIFFERENT INTRINSICALLY SAFE CIRCUITS RUN IN THE SAME CABLE/CONDUIT MUST HAVE AT LEAST 10% OF INSULATION.
 - 4) CAPACITANCE AND INDUCTANCE OF THE FIELD WIRING FROM THE INTRINSICALLY SAFE EQUIPMENT TO THE CABINET SHALL NOT EXCEED THE VALUES LISTED IN TABLE 1, 1A, 1B AND 1C. CAPACITANCE SHALL BE MEASURED USING A CAPACITANCE METER (C) AND INDUCTANCE SHALL BE MEASURED USING AN INDUCTANCE METER (L). CAPACITANCE (C) SHOULD BE MEASURED PER FOOT FOR INDUCTANCE (L) AND L₀ RESPECTIVELY. THE FOLLOWING VALUES SHALL BE USED: C=60pF/ft., (200pF/m) L=0.2uH/ft. (0.7uH/m).
 - 5) WIRING, CABLING AND SEALS MUST BE INSTALLED IN ACCORDANCE WITH THE NEC, IEC OR OTHER APPLICABLE NATIONAL OR LOCAL CODES.
 - 6) USE ONLY CABLE THAT IS SPECIFIED IN USER INSTALLATION MANUAL OR LISTED EQUIVALENT FOR THE INSTALLATION OF LIQUID LEVEL PROBES.



OPTIONAL CONNECTIONS

POWER RATING
120-240-0.25/0A

- NEUTRAL
- POWER L1
- POWER L2
- POWER L3
- SAFETY GND

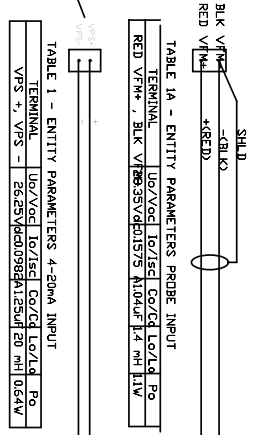
MOUNTING HOLES
4 LOCATIONS
SEE NOTE 13

INTRINSICALLY PROTECTED BY
SUPPLIED I.S. COVER

ONLY FOR CONNECTION TO
DL LISTED INCON TS-3XXX
CONSOLES

- 7) USE THE FOLLOWING WIRE TYPES:
FOR I.S. WIRING USE 18AWG MINIMUM DIL AND GASOLINE RESISTANT TYPES, TFFN, THWN, THHN, FOR POWER AND GROUND WIRING USE 12 AWG OR LARGER. POWER L1 AND NEUTRAL USE 4 AWG OR LARGER. SAFETY GROUND - USE 18 AWG OR LARGER. FOR TS-3XXX WIRING SEE NEC ARTICLE 725 FOR CABLE TYPES OR USE AWG STYLE 2464 OR 2576.
- 8) ONLY USE GRAMP TYPE CONNECTORS FOR ELECTRICAL CONNECTIONS. ONLY USE WIRE AND CABLE TYPES LISTED IN THE USER INSTALLATION MANUAL FOR WIRE TYPES.
- 9) ALL FIELD WIRING CONNECTIONS MUST BE MADE WITH EPOXY SEAL - PACKS.
- 10) SEE INSTALLATION MANUAL FOR WIRE DETAIL.
- 11) THE GENERAL CONNECTOR MUST SUPPLY THE SPECIFIED WIRE.
- 12) THE ENTITY CONCEPT ALLOWS THE USER TO IDENTIFY ACCEPTABLE COMBINATIONS OF INTRINSICALLY SAFE APPARATUS AND ASSOCIATED APPARATUS THAT HAVE NOT BEEN EXAMINED AS A SYSTEM. EACH APPARATUS IS EXAMINED SEPARATELY BY A NATIONALLY RECOGNIZED TEST LABORATORY (NRTL) OR NOTIFIED IN TABLE 1, 1A, TO DETERMINE THE Vmax (V), Imax (d), Cl, AND Li VALUES THE CONTROL DRAWING FOR THE INTRINSICALLY SAFE APPARATUS SHALL BE USED. THE COMBINATION OF THE INTRINSICALLY SAFE APPARATUS AND ASSOCIATED APPARATUS MUST COMPLY WITH THE FOLLOWING:
 $V_o \leq V_i$ (Vmax)
 $I_o \leq I_i$ (Imax)
 $L_o \leq L_i$ (Lmax)
 $C_o \leq C_i$ (Cmax)
 $P_o \leq P_i$ (Pmax)
 $L_p \leq L_i$ (Lmax)
 $C_p \leq C_i$ (Cmax)
 $L_s \leq L_i$ (Lmax)
 $C_s \leq C_i$ (Cmax)
 (SEE NOTE 4)

13) USE MOUNTING HOLES TO SECURE TS-DTU/P TO WALL OR MOUNTING BRACKET (SUPPLIED).



CLASS 1, DIV 2, GROUP D OR
NON-HAZARDOUS LOCATION

MODELS TS-DTU/P

ASSOCIATED APPARATUS
IEEX IAA IIA

TABLE 1A - ENTITY PARAMETERS PROBE INPUT

TERMINAL	I _o /V _o d	I _o /I _s c	C _o /C _d	L _o /L _d	P _o
RED V _{max}	16.25V	60.00	98.8A	1.25uF	20 mW
BLK V _{max}	20.00V	1.00	575	0.00	0.64W

TABLE 1 - ENTITY PARAMETERS 4-20mA INPUT

TERMINAL	I _o /V _o d	I _o /I _s c	C _o /C _d	L _o /L _d	P _o
VPS +, VPS -	16.25V	60.00	98.8A	1.25uF	20 mW
I+, I-, Po	20.00V	1.00	575	0.00	0.64W

TO INTRINSICALLY SAFE APPARATUS

TO TWO WIRE 4-20mA INTRINSICALLY SAFE APPARATUS

HAZARDOUS LOCATION
CLASS 1, DIV 1, GROUP D
GROUP IIA, ZONE 0

UNIVERSITY MICROFILMS INTERNATIONAL
SERIALS ACQUISITION
300 N ZEEB RD
ANN ARBOR MI 48106
TEL 734 763 0700
FAX 734 763 0706
WWW.UMI.COM

THE INFORMATION CONTAINED IN THIS REPRODUCTION IS THE PROPERTY OF THE ORIGINAL OWNER AND IS NOT TO BE COPIED, REPRODUCED, OR TRANSMITTED IN ANY FORM OR BY ANY MEANS, ELECTRONIC OR MECHANICAL, INCLUDING PHOTOCOPYING, RECORDING, OR BY ANY INFORMATION STORAGE AND RETRIEVAL SYSTEM, WITHOUT PERMISSION IN WRITING FROM THE ORIGINAL OWNER.

UNIVERSAL FILE NO. 000326430

DATE 01/27/2001

000-1724

CONTROL DRAWING
TS-DTU/P

INCON INTERNATIONAL CORPORATION

DL Certified Product
UL Listed and CE Marked
Approved when installed in the
field as shown.

REVISIONS	
NO.	DESCRIPTION
1	FILE REVIEW
2	DATE 11/28/20



Franklin Fueling Systems

www.franklinfueling.com

3760 Marsh Road • Madison, WI 53718, U.S.A.

Tel: +1 608 838 8786 • Fax: +1 608 838 6433

Tel: USA & Canada 1 800 225 9787 • Tel: México 001 800 738 7610

Franklin Fueling Systems GmbH

Rudolf-Diesel-Strasse 20 • 54516 Wittlich, GERMANY

Tel: +49-6571-105-380 • Fax: +49-6571-105-510