

**Executive Order VR-201-X
Assist Phase II EVR System
Not Including ISD**

Exhibit 1

Part 1 - Equipment List

<u>Component</u>	<u>Manufacturer/Model</u>
Nozzle	Healy Model 900 (Figures 1-1 and 1-2) Note: Nozzle can have either a two position or three position hold open clip (see Figure 1-1)
Clean Air Separator	Healy Model 9961 Clean Air Separator (Figures 1-3 and 1-4) Healy Model 9961H Clean Air Separator (Figures 1-3H and 1-4H)
Inverted Coaxial Hoses	Healy Model 75 Series Low Permeation Hose (3/4" I.D) (Figure 1-5a) 75W-XXX-YZYZ-LP Where: W = hose color (varies) Note: Product label will have an "X" in this position for all hose colors XXX = hose length First two digits = length in feet Last digit = length in tenths of foot Note: Product label will have "XXX" in this position for hose length Y = hose end type S = Swivel End F = Fixed End Z = thread type 2 = Healy Straight Thread 3 = Metric Thread 4 = Balance-Type Thread ContiTech ¹ Futura HVR Series Low Permeation Hose (3/4" I.D) (Figure 1-5b) 532-33W-X24-0YYZZ Where: W = hose color (varies) X = fitting combination 2 = S2S2 3 = S3F2

¹ Veyance brand name has changed to ContiTech.

Component**Manufacturer/Model**

Inverted Coaxial Hoses
(continued)

4 = S4F2

5 = F2F2

6 = F3F2

7 = S2F2

8 = S4S2

Y = hose length in feet

Z = hose length in tenths of feet

VST V34EV ENVIRO-LOC™ Series Low Permeation Hose
(3/4" I.D.)

(Figure 1-5c)

V34EV-XXX-VSVS or V34EV-XXX-HSHS or

V34EV-XXX-HSVS or V34EV-XXX-BRVS or

V34EV-XXX-BRHS

Where:

XXX = Length in inches (e.g. 096 = 96" length)

VSVS = M34 thread / 2 swivels

HSHS = 1-1/4" -18 Straight Thread / 2 swivels

HSVS = 1-1/4" -18 Straight Thread Swivel / M34
Thread SwivelBRVS = 1-7/8" - 12 Balance Thread Rigid / M34 Thread
SwivelBRHS = 1-7/8" - 12 Balance Thread Rigid / 1-1/4" -18
Straight Thread Swivel

**Dispenser Conversion
Adaptors (Optional)²**

Healy Model CX6-A (Required on Gasboy, Global Century,
Reliance and Select Dispensers)

Healy Model CX6-VV1A*

Healy Model CX6-VV2A*

Healy Model CX6-VV3A

EBW Model 303-301-01

(Figures 1-8 and 1-9)

Note: Items marked with asterisk (*) are no longer manufactured,
but may be used for dispenser retrofit.

**Reconnectable
Breakaway Coupling**

Healy Model 8701VV

(Figure 1-10a)

Optional Covers P/N 761 and P/N 762

Healy Model 807 Swivel

(Figure 1-10b)

Catlow Model CTMCA

² If optional components are installed or required by regulations of other agencies, the components and model numbers manufactured by Franklin Fueling Systems may be used to facilitate installation. The use of dispenser conversion adaptors not listed above may be used to facilitate installation provided that all applicable performance standards are met.

	(Figure 1-10c) VST Model VST-HEVR-SBK
	(Figure 1-10d) VST Model VST-ISVR-SBK (M34 type)
	(Figure 1-10e)
Flow Limiter³	Healy Model 1301 (Figures 1-11 and 1-12) Healy Model 1302 (Figures 1-13 and 1-14)
<u>Component</u>	<u>Manufacturer / Model</u>
Dispenser Vacuum Pump	Healy Model VP1000 Vacuum Pump Healy/Franklin Electric Model VP1000 Vacuum Pump (Figure 1-15)
Control Module	Healy Model MC 100 (Figure 1-16)
Dispensers	Note: Unihose dispensers shall be required unless as provided by Section 4.10 of CP-201. Gilbarco Encore Series ⁴

Healy Kit VP1000R⁵ or VP1000S⁶

<u>Model#’s</u>	<u>Description:</u>
NAO	Encore 1 Grade Multi-hose
NA1	Encore 2 Grade Multi-hose
NA2	Encore 3 Grade Multi-hose
NA3	Encore 4 Grade Multi-hose
NG0	Encore 3 Grade Single-Hose
NG1	Encore 4 Grade Single-Hose plus 1
NG4	Encore 2 Grade Single-Hose
NJ0	Multi-hose Blender
NJ2	Multi-hose Blender plus
NL0 NL1 NL2 NL3	Encore X+1 Blender
NN0 NN1 NN2 NN3	Encore X+0 Blender

GasBoy 9800 Series (Gilbarco)

Healy Kit VP1000M⁷

<u>Model #’s</u>	<u>Description:</u>
------------------	---------------------

³ Flow limiter is mandatory when the flow rate is greater than 10.0 gallons per minute to comply with US EPA requirement. 1301 is used with 8701VV breakaway. 1302 is used with 807 swivel breakaway.

⁴ Encore Dispensers factory equipped with Healy VP1000 will now have an angled (~13°) outlet casting.

⁵ Kit used to install Healy components in Encore Balance series dispenser. VP1000R previously sold as equivalent to VP1000L.

⁶ Kit used to install Healy components in Encore Assist series dispenser. VP1000S previously sold as equivalent to VP1000K.

⁷ Kit used to install Healy components in GasBoy 9800 series dispenser.

9852 - Suffix1 Suffix2

9853 - Suffix1 Suffix2

Where:

Suffix1 can be:

A = Factory fabrication and assembly
modifications to chassis

HC = High capacity model

M = Manifold supply inlet at the pumping
unit inlet

Component**Manufacturer / Model****Dispensers**
(continued)

TW1 = Manifold supply inlet
 TW2 = Two individual supply inlets
 X = Dispenser supplied by a submersible pump
 Q = Utilizes an alternate meter and pump

Suffix2 can be:

B = Battery back-up for electronics
 C = Pump interface
 D = DC conduit and junction box
 F = Fuel filter
 G = Imperial gallons registration
 H = High hose retriever
 I = Internal hose retriever
 L = Lighted panel
 N = Equipped to handle a long spout nozzle
 P = Satellite dispenser as part of the unit (for connection to a master pump)
 PP = Solenoid valves (optional only on pumps)
 R = Liters registration
 S = Piping for connection to satellite
 SS = Stainless steel panels
 SSA = Equipped with stainless steel doors
 SSTS = Stainless steel tops and doors
 T = Mechanical totalizer
 U = Submersible drive relays
 W = Heater
 Y = Vapor recovery ready
 Z = Front Load Nozzle
 2 = 230 VAC/60hz operation
 3 = 230 VAC/60hz operation with 380VAC/60hz motor (available on all models except 9852Q)
 25 = 230VAC/50hz operation
 35 = 230VAC/50hz operation with 380VAC/50hz motor
 4 = RS-485 interface
 5 = 50hz operation
 7 = Electronic totalizer activator on both sides
 9 = Provided with 900-R Series TopKat

Component**Manufacturer / Model**

Dispensers
(continued)

Wayne Harmony Series

Healy Kit VP1000N⁸ or VP1000Q⁹

Model #'s Description:
prefix/VXXXYZ/suffix

Where:

- prefix = Any number or letter (with a possible "H" for Harmony)
- V = Vista
- X = Any digit
- Y = D or P
 D = remote dispenser type for delivering fuel
 P = suction pump for delivering fuel
- Z = 1, 3, 4, 5, 6, 7 or 8
- suffix = D1 or D2, and any combination of number(s) or letter(s)

Wayne Ovation Series

Healy Kit VP1000P¹⁰

Model #'s Description:
XYZ/ABC

Where:

- X = B or R
 B = Blended Dispenser
 R = Regular Dispenser
- Y = Number of hoses per side
 1 = one hose per side
 2 = two hoses per side
- Z = Number of inlets per side
 1 = one inlet
 2 = two inlets
- A = Number of grades
 1 = one grade
 2 = two grades
 3 = three grades
 4 = four grades
 5 = five grades

⁸ Kit used to install Healy components to Harmony Balance series dispenser.

⁹ Kit used to install Healy components to Harmony Assist series dispenser.

¹⁰ Kit used to install Healy components to Ovation Balance or Assist series dispenser. VP1000P previously sold as equivalent to VP1000C.

Component**Manufacturer / Model**

Dispensers
(continued)

B = Number of sides
1 = one side
2 = two sides
C = Number of columns
1 = one column
2 = two columns

Wayne Vista Series

Healy Kit VP1000T¹¹ & VP1000V¹²

Model #'s Description:
prefix/VXXXYZ/suffix

Where:

Prefix = Any number or letter

V = Vista

X = Any digit

Y = D or P

D = remote dispenser type for
delivering fuel

P = suction pump for delivering fuel

Z = 1, 3, 4, 5, 6, 7 or 8

Suffix = D1 or D2, and any combination of number(s)
or letter(s)

Wayne Global Century & Select Series¹³

Model #'s Description
3/GABCDE/Suffix

Where:

A = Model Series
2 = Global Century
7 = Select

B = Cabinet Style
2 = Column Style

C = Flow Rate Capacity
0 = Standard Flow
4 = Twin I, Dual Filters

¹¹ Kit used to install Healy components to 3V and 4V Vista series dispenser. VP1000T previously sold as equivalent to VP1000C.

¹² Kit used to install Healy components to 1V and 2V Vista series dispenser. VP1000V previously sold as equivalent to VP1000F.

¹³ Dispenser configuration only available for purchase from Dresser Wayne. There is no Kit for retrofit of these dispenser types.

Component

Manufacturer / Model

Dispensers
(continued)

- D = Number of Hoses & Orientation
 - 1 = Single, Island-Oriented
 - 2 = Twin I, Island-Oriented
 - 3 = Twin II, Island-Oriented
 - 7 = Twin I, Lane-Oriented or Single Side, Lane-Oriented w/ "R" Suffix
 - 8 = Twin II, Lane-Oriented
- E = Dispenser Type
 - D= Dispenser-Remote
- Suffix = Any combination of letters or numbers

Wayne Reliance Series¹⁴

Model #'s Description
/GABCDE/Suffix

Where:

- A = Model Series
 - 5 = Reliance Mechanical Fleet – Pricing
 - 6 = Reliance Mechanical Fleet – Volume Only
- B = Cabinet Style
 - 2 = Column Style
- C = Flow Rate Capacity
 - 0 = Standard Flow
- D = Number of Hoses & Orientation
 - 1 = Single, Island-Oriented
 - 2 = Twin I, Island-Oriented
 - 3 = Twin II, Island-Oriented
- E = Dispenser Type
 - D= Dispenser-Remote
- Suffix = Any combination of letters or numbers

¹⁴ Dispenser configuration only available for purchase from Dresser Wayne. There is no Kit for retrofit of this dispenser type.

Component

Manufacturer / Model

**Dispensers
(continued)**

FFS/Healy Universal Retrofit Manual¹⁵

- Healy Kits = VP1000A¹⁶
- = VP1000D¹⁷
- = VP1000G¹⁸
- = VP1000H¹⁹
- = VP1000J²⁰
- = Z071V²¹
- = Z070E²²
- = Z008²³
- = Z009²⁴

**TABLE 1
Components Exempt from Identification
Requirements**

Component Name	Manufacturer	Model Number
Dispenser Kit	Healy	VP1000A & VP1000B VP1000D VP1000G VP1000H VP1000J VP1000M VP1000N VP1000P VP1000Q VP1000R VP1000S VP1000T VP1000V Z008 Z009 Z070E Z071V

¹⁵ Any dispenser not currently listed in Exhibit 1 can be upgraded to Healy EVR using one of the kits listed in this section.

¹⁶ Kit contains Universal Wire Harness for use in any dispenser make or model. For use with any VAC or VDC solenoid valves. VP1000A previously sold as equivalent to VP1000B.

¹⁷ Early Gilbarco Encore 300 Blender Dispensers – 120 VAC valves (mfg. before 04/2003).

¹⁸ Wayne DL Non-Blender Dispensers – 120 VAC valves.

¹⁹ Tokheim Premier C Blender Dispensers – 24 VDC valves.

²⁰ Early Tokheim Blender Dispensers – Combination 120 VAC & 24 VDC valves.

²¹ Universal Vapor Kit.

²² Universal Electrical Kit.

²³ Standard Low Profile Single Hose Dispenser Retrofit Kit.

²⁴ Standard Low Profile Dual Hose Dispenser Retrofit Kit.

Component**Manufacturer / Model****Maintenance Tracker Kit
(Optional)**

Veeder-Root 330020-546

Consists of the following:

- Maintenance Tracker Technician Key (Figure 1-17)
- Interface Module RS232/485 Dual Module with DB9 Converter or Single Port Module with DB-25 converter (Figure 1-18)
- Manual

Healy Model 900 EVR Nozzle

FIGURE 1-1
(Drawing)

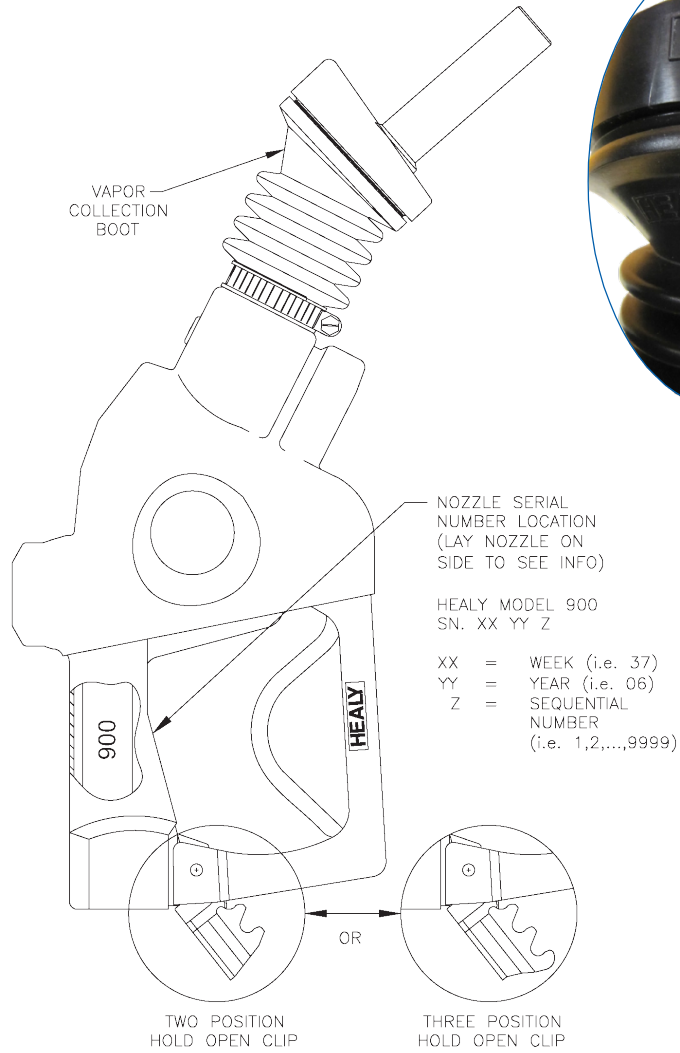


FIGURE 1-2
(Image)



FIGURE 1-3
Healy Model 9961 Clean Air Separator

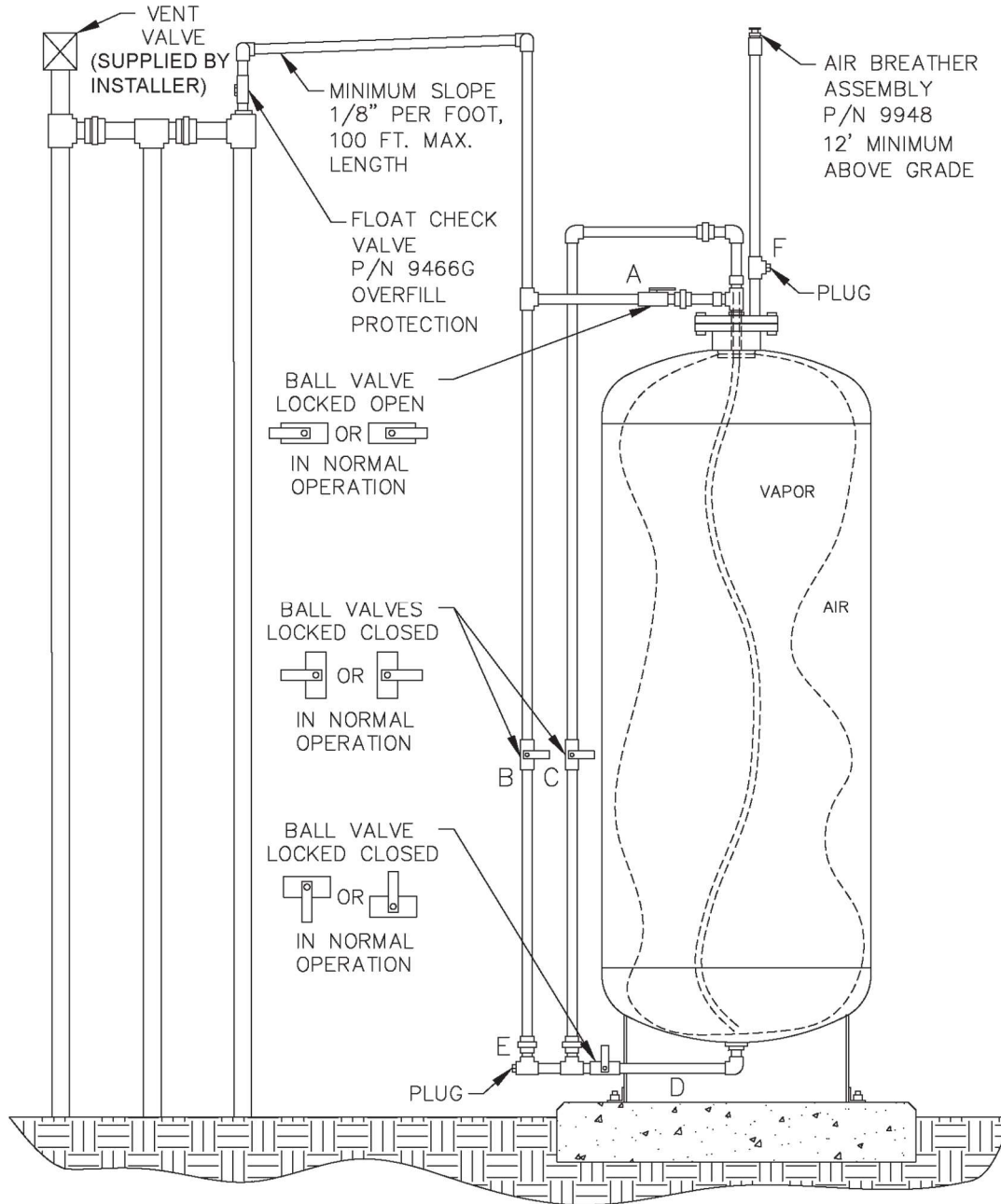


FIGURE 1-3H
Healy Model 9961H Clean Air Separator

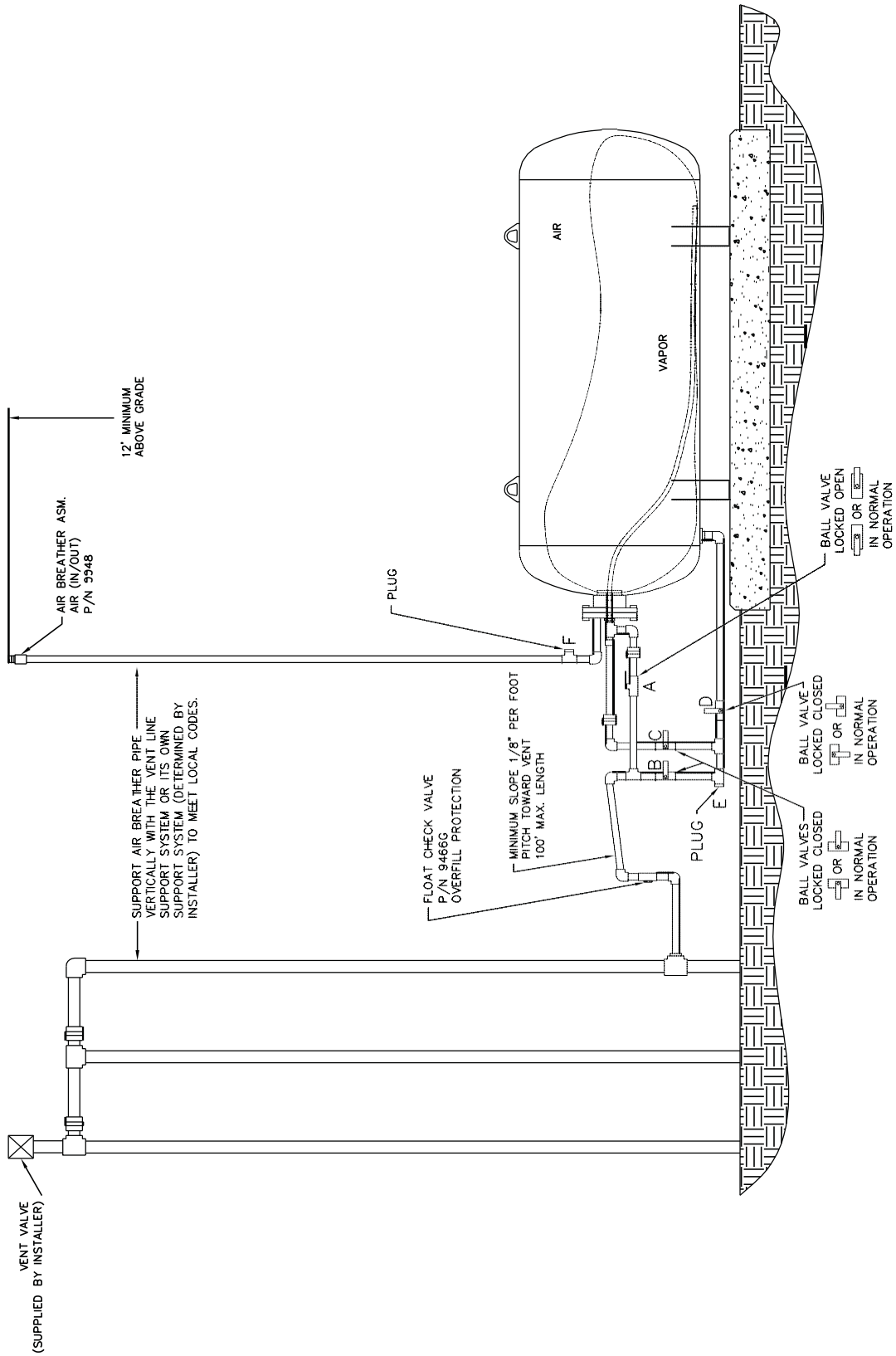


FIGURE 1-4
Healy Model 9961 Clean Air Separator



FIGURE 1-4H
Healy Model 9961-H Clean Air Separator



Clean Air Separator Name Plate



Clean Air Separator Data Plate
(not pictured on far side of base)

Figure 1-5a
Healy Model 75 Series Low Permeation Hose Assembly
(hose and lay line colors may vary)

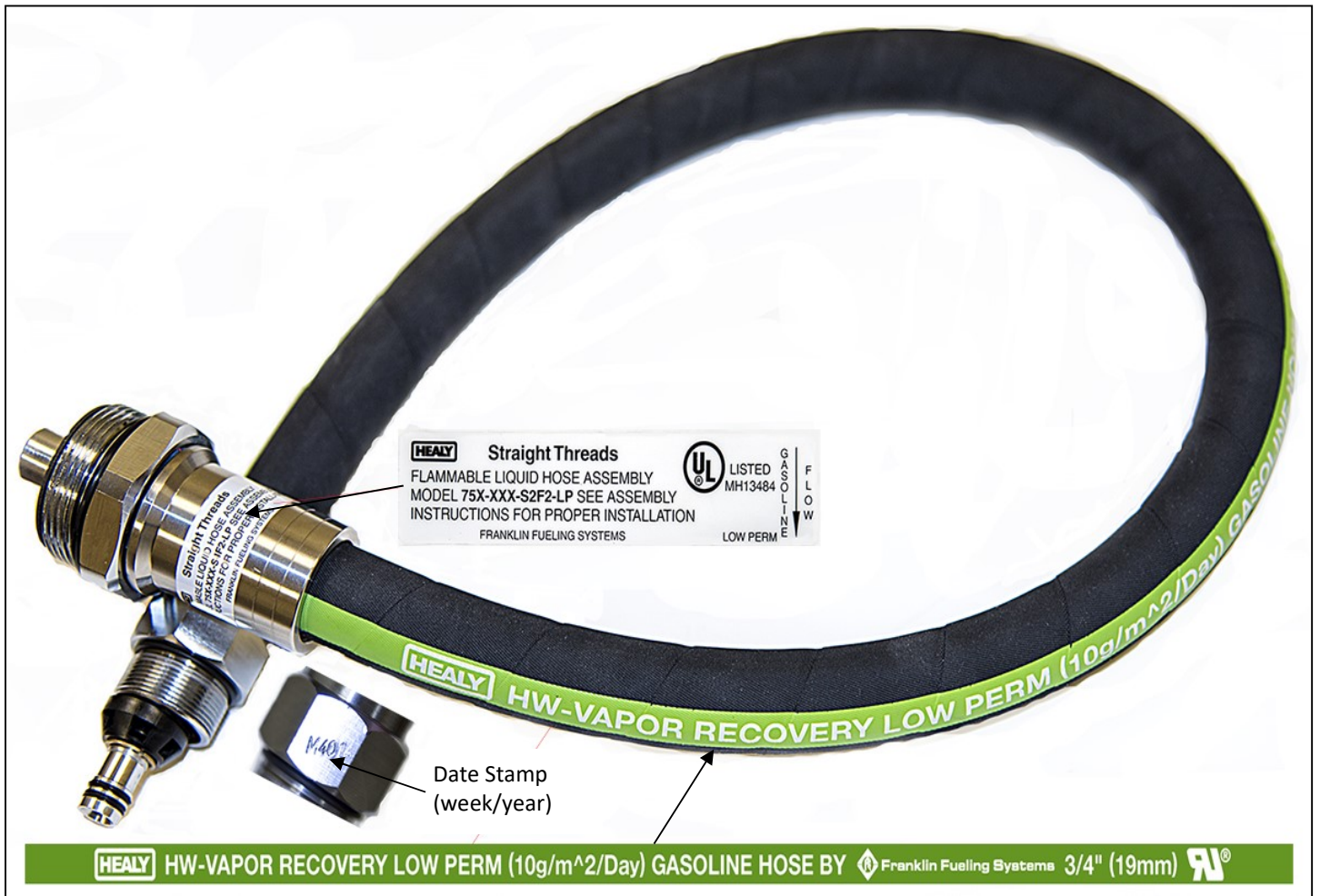


Figure 1-5b
ContiTech Futura HVR Low Perm Series Hose
(hose and lay line colors may vary)

ContiTech
559N Made in USA
3/4"
FLEXSTEEL[®] FUTURA[™] HVR
Low Perm (10g/m²/Day) Gasoline Hose



Serial Number

ContiTech USA, Inc.
703 S. Cleveland Massillion Rd.
Fairlawn, OH 44333 USA
Telephone: 1-800-235-4632

Figure 1-5c
VST V34EV ENVIRO-LOC™ Series Low Permeation Hose
(hose and lay line colors may vary)

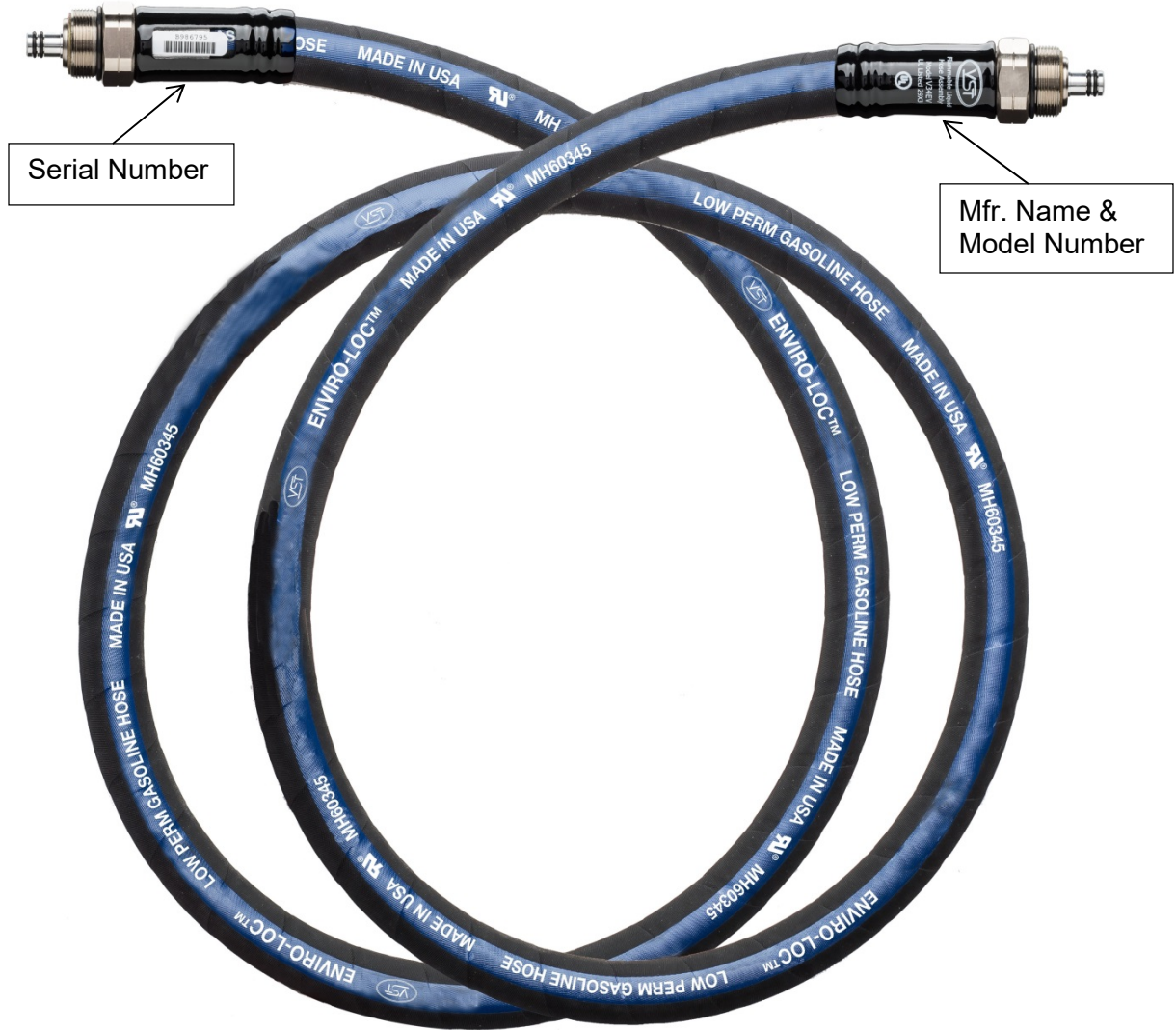


FIGURE 1-6
Hanging Hardware Selection Options
Breakaway and 1301 Flow Limiter

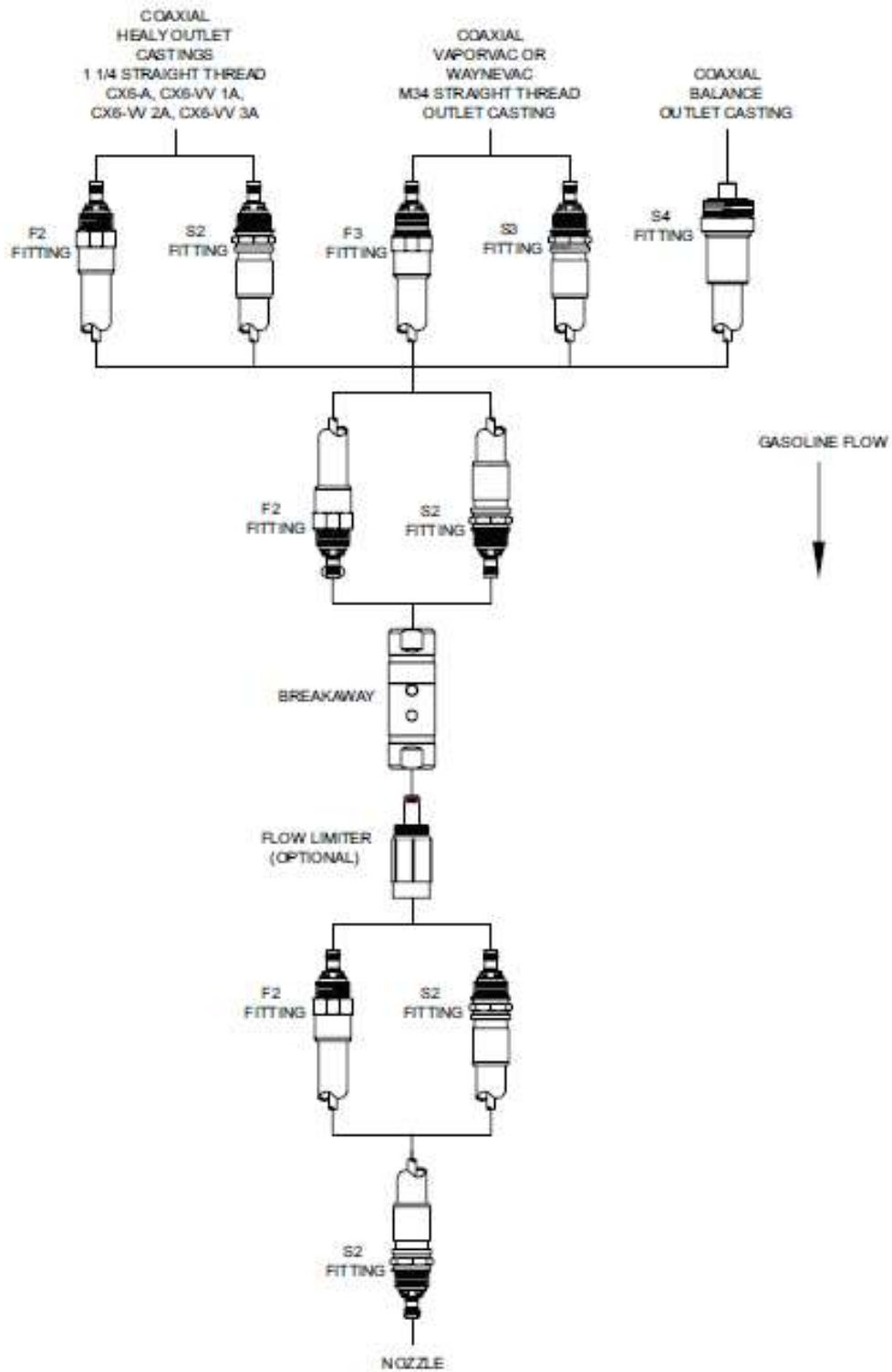
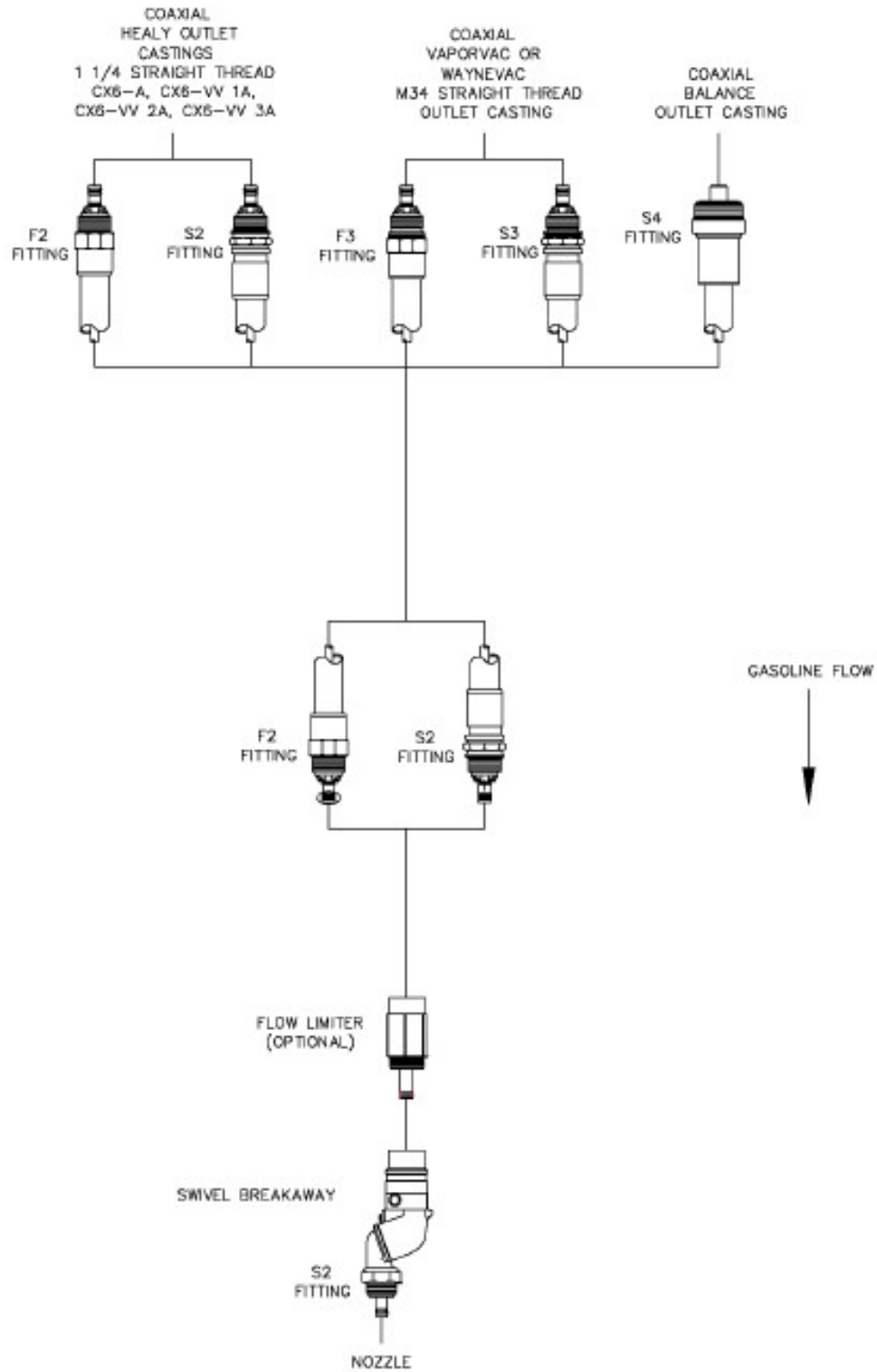


FIGURE 1-7
Hanging Hardware Selection Options
Model 807 Swivel Breakaway and 1302 Flow Limiter



Dispenser Conversion Adaptors

FIGURE 1-8
Healy Model CX6-A



FIGURE 1-8
Healy Model CX6-A



FIGURE 1-8
Healy Model CX6-VV1A

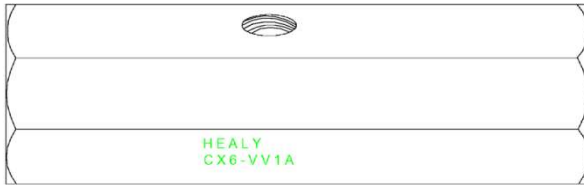


FIGURE 1-8
Healy Model CX6-VV2A



Dispenser Conversion Adaptors

FIGURE 1-9
Healy Model CX6-VV3A

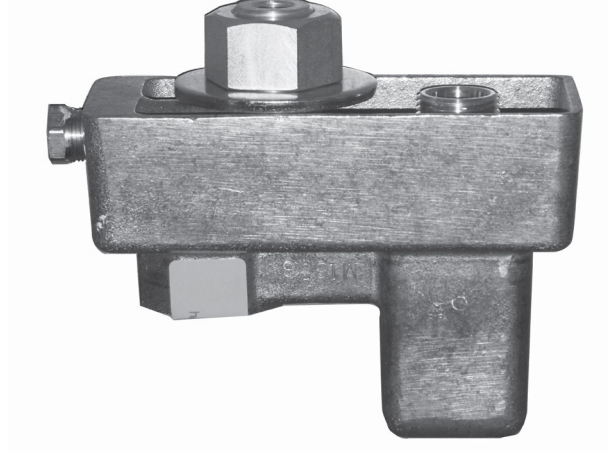
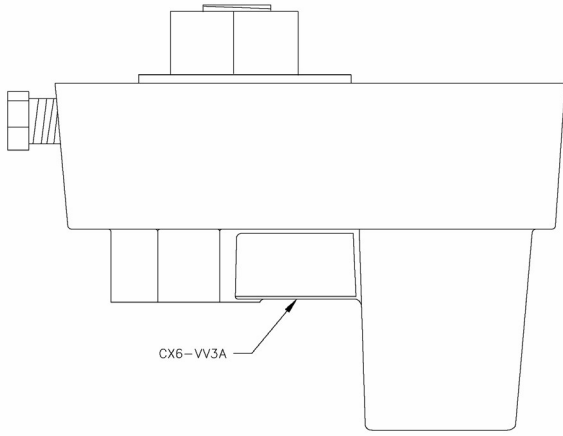


FIGURE 1-9
EBW Model 303-301-01

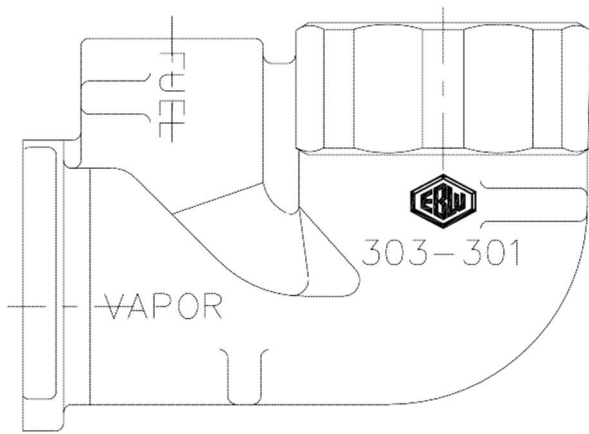


FIGURE 1-10a
Healy Model 8701VV Breakaway

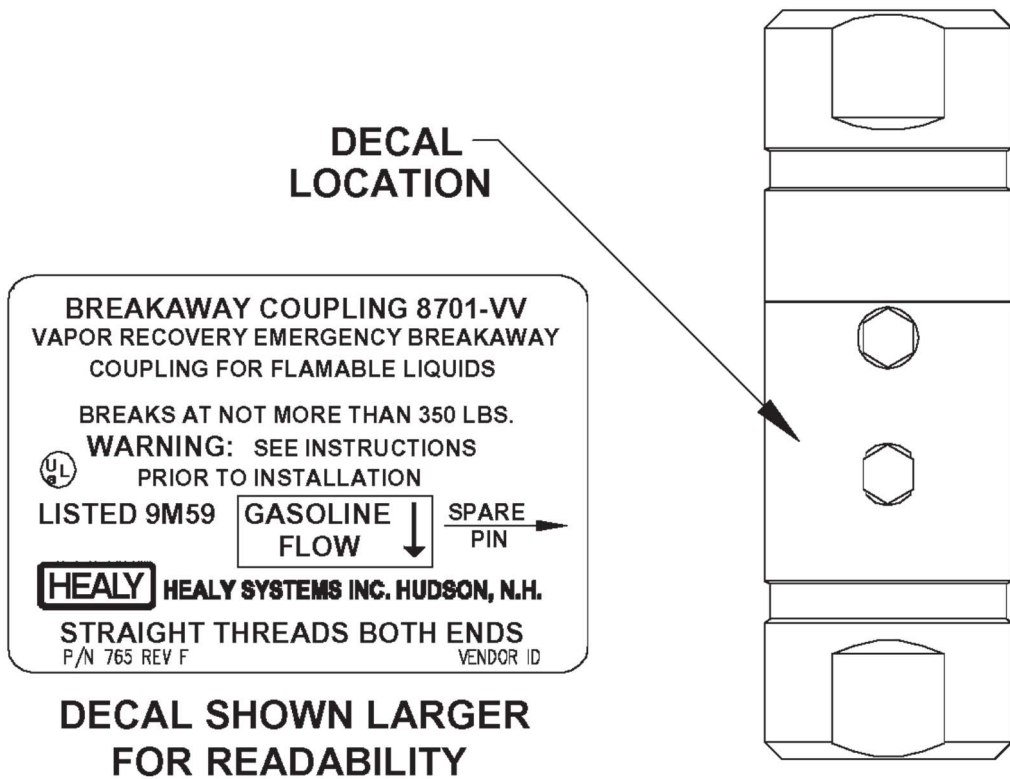
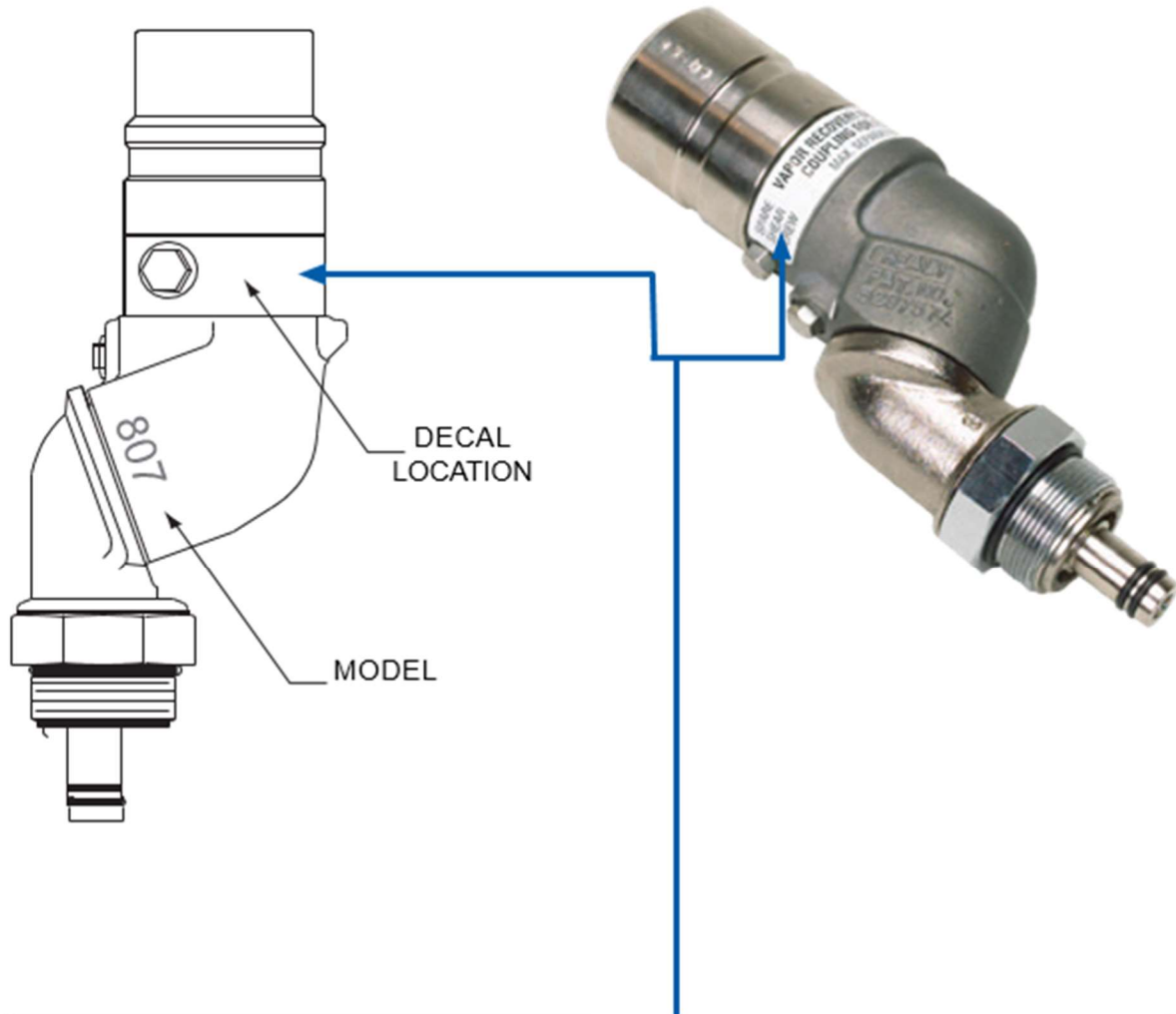


FIGURE 1-10b
Healy Model 807 Swivel Breakaway



FLOW ▼ STRAIGHT THDS. BOTH ENDS	VAPOR RECOVERY EMERGENCY BREAKAWAY COUPLING FOR FLAMMABLE LIQUIDS MAX. SEPARATION FORCE 350# FRANKLIN FUELING SYSTEMS MADISON WI	UL LISTED 3M 52	MODEL 807	SPARE SHEAR SCREW ▼	LBL P/N 893
--	---	-----------------	--------------	------------------------------	-------------

FLOW ▼ STRAIGHT THDS. BOTH ENDS	VAPOR RECOVERY EMERGENCY BREAKAWAY COUPLING FOR FLAMMABLE LIQUIDS MAX. SEPARATION FORCE 350#	UL LISTED 3M 52	MODEL 807	SPARE SHEAR SCREW ▼	LBL P/N 893
--	--	-----------------	--------------	------------------------------	-------------

Healy Systems Inc. Hudson, N.H. 03051

DECALS SHOWN LARGER FOR READABILITY

EITHER LABEL MAY APPLY

FIGURE 1-10c
Catlow Model CTMCA Breakaway



Cover



Serial Number

M3418 Adaptor and Ferrule



FIGURE 1-10d
VST Model VST-HEVR-SBK Breakaway



FIGURE 1-10e
VST Model VST-ISVR-SBK Breakaway
(M34 type)



FIGURE 1-11
Healy Model 1301 Flow Limiter

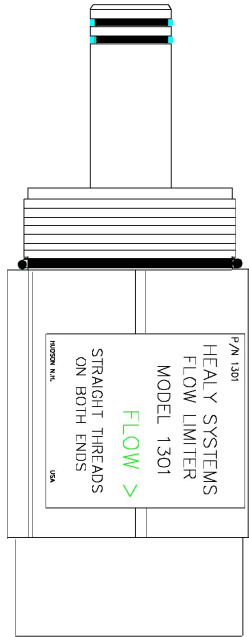


FIGURE 1-12
Healy Model 1301 Flow Limiter



FIGURE 1-13
Healy Model 1302 Flow Limiter

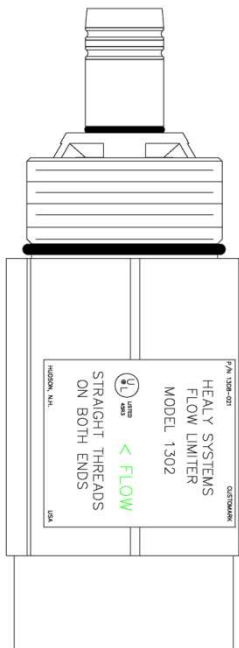


FIGURE 1-14
Healy Model 1302 Flow Limiter



FIGURE 1-15
Healy Model VP1000 Vacuum Pump

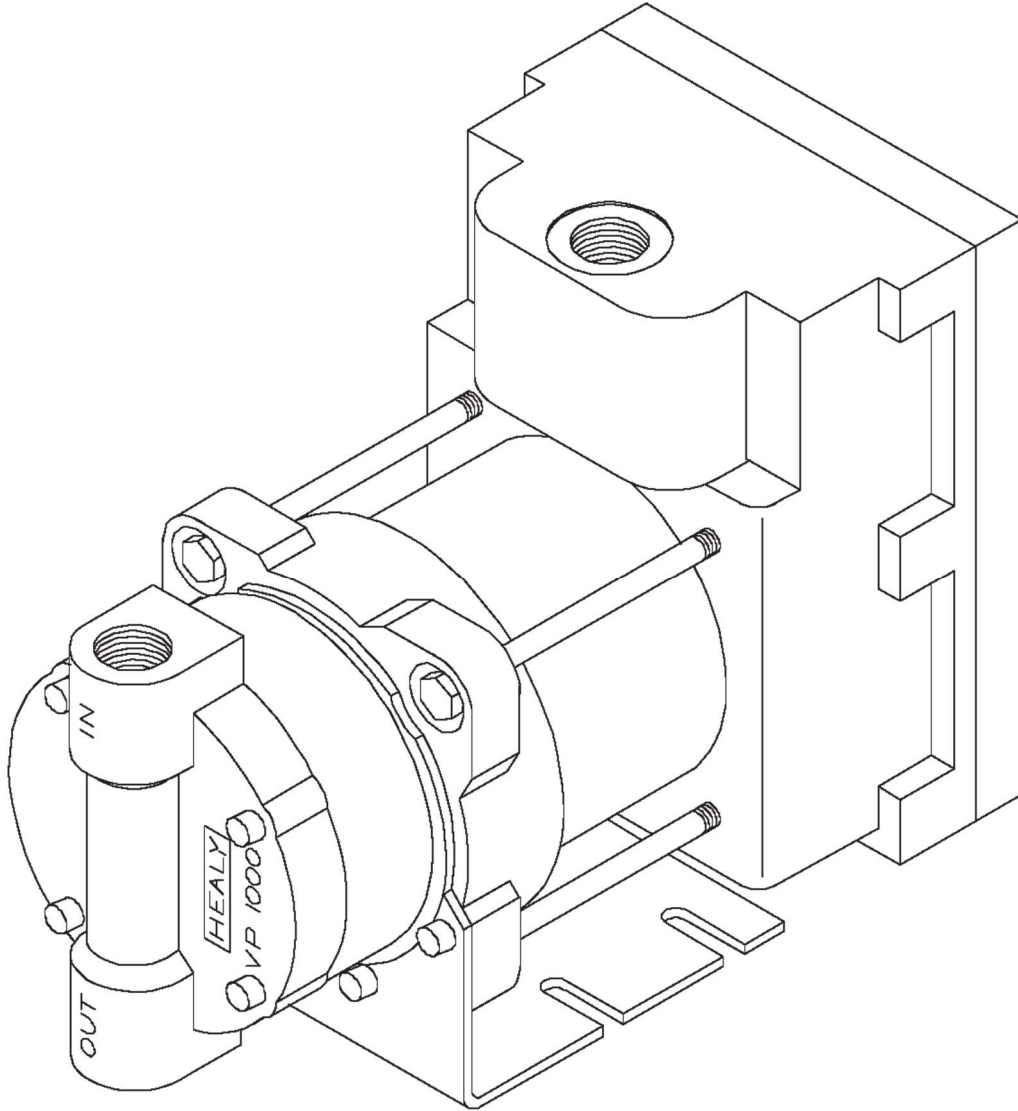


FIGURE 1-16
MC 100 Control Module

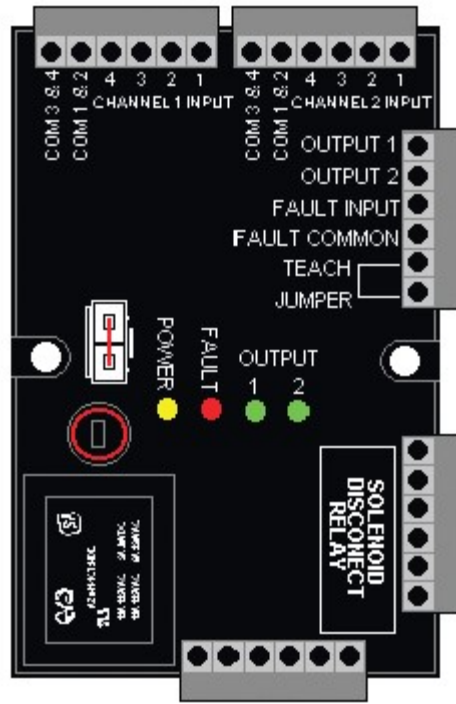
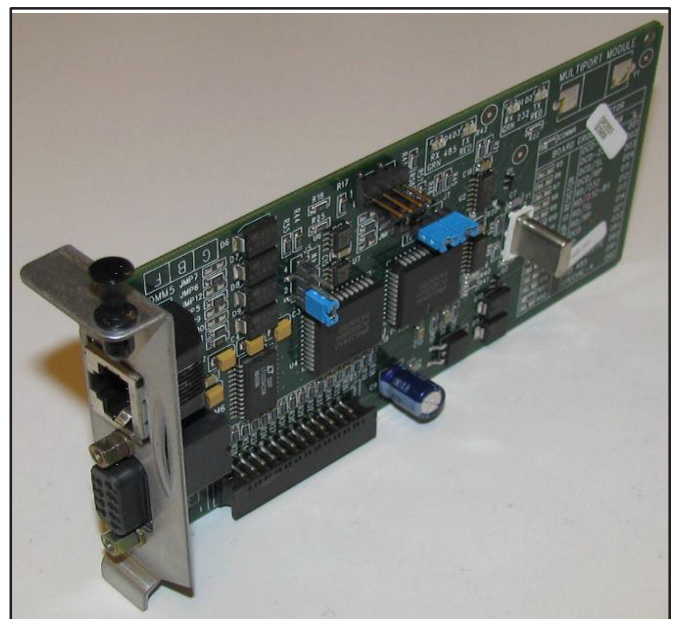


FIGURE 1-17
Maintenance Tracker Technician Key



FIGURE 1-18
Interface Module RS232/485
Dual Module with DB9 Converter or
Single Port Module with DB-25 converter



**Part 2 - Vapor Equipment List for Liquid Condensate Trap
Figures 1A-LCT-1 and 1A-LCT-2**

<u>Component</u>	<u>Manufacturer/Model</u>
Riser Adapter	INCON model TSP-K2A
In-Line Filter	140 micron, Swagelok B-4F2-140 or SS-4F2-140, or equivalent
Screen	Aluminum Insect screen (18X14 mesh), or Stainless Steel Insect screen (18X18 mesh).
Stainless Steel Hose Clamp	Sized to secure screen to suction tube.
Liquid Sensor¹	Must have an audible and visual alarm
Liquid Condensate Trap¹	Any capacity, manufacturer, make and model

¹ Must meet applicable State Water Resources Control Board requirements (e.g. LG-113, LG-167 and LG-169) and any local authority having jurisdiction which includes the Certified Unified Program Agency (CUPA).

FIGURE 1A-LCT-1
Typical Liquid Condensate Trap Installed Below the Transition Sump

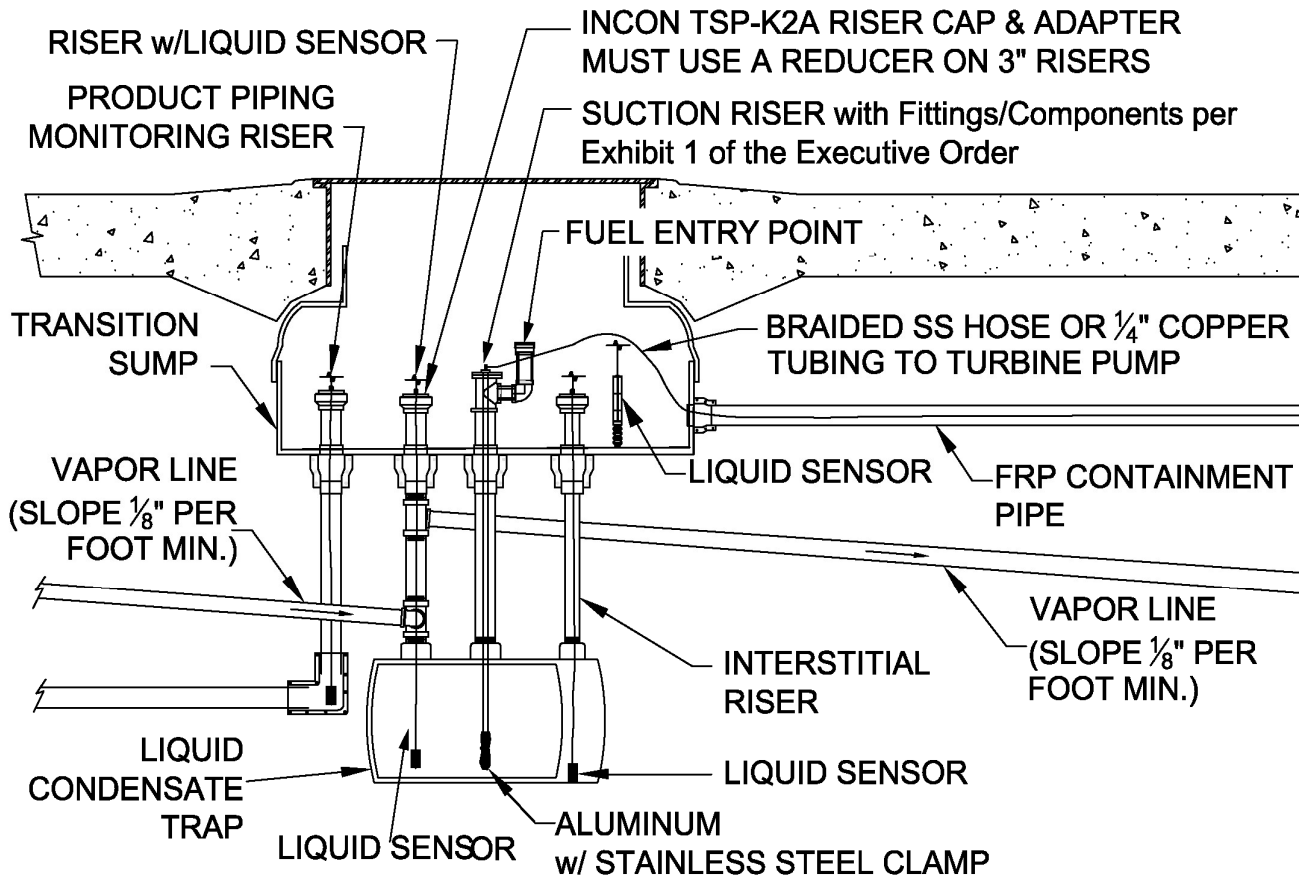


FIGURE 1A-LCT-2
Typical Liquid Condensate Trap Installed Inside the Transition Sump

Note: A Liquid Condensate Trap installed inside a liquid AND vapor tight transition sump that is monitored with a liquid sensor can be single walled (if installed before July 1, 2004).

