

**State of California  
AIR RESOURCES BOARD**

**EXECUTIVE ORDER VR-201-X**

**Relating to Certification of Vapor Recovery Systems**

**Assist Phase II Enhanced Vapor Recovery (EVR) System  
not including In-Station Diagnostics (ISD)**

WHEREAS, the California Air Resources Board (CARB) has established, pursuant to California Health and Safety Code Sections 25290.1.2, 39600, 39601 and 41954, certification procedures for systems designed for the control of gasoline vapor emissions during motor vehicle fueling operations (Phase II EVR system) in its Certification Procedure for Vapor Recovery Systems at Gasoline Dispensing Facilities (CP-201) as last amended November 9, 2015, incorporated by reference in Title 17, California Code of Regulations, Section 94011;

WHEREAS, CARB has established, pursuant to California Health and Safety Code Sections 39600, 39601, 39607, and 41954, test procedures for determining the compliance of Phase II EVR systems with emission standards;

WHEREAS, Franklin Fueling Systems, Inc. (FFS) requested and was granted certification of the Assist Phase II EVR System not including ISD pursuant to CP-201 on April 8, 2005 by Executive Order VR-201-A, and last modified on August 30, 2018, by Executive Order VR-201-W;

WHEREAS, CARB had previously approved VST inverted coaxial hose components that were inadvertently left off previous revisions of Executive Order VR-201;

WHEREAS, CP-201 provides a process for the renewal of Phase II EVR system certifications;

WHEREAS, CP-201 authorizes the Executive Officer to grant an extension of certification, for up to one year, if he or she determines that additional time is necessary to gather and evaluate information to complete the renewal evaluation;

WHEREAS, additional time is necessary to gather and evaluate information needed to complete the certification renewal process;

WHEREAS, CP-201 provides that the CARB Executive Officer shall issue an Executive Order if he or she determines that the vapor recovery system conforms to all of the applicable requirements set forth in CP-201;

WHEREAS, Executive Order G-01-032 delegates to the Chief of the Monitoring and Laboratory Division the authority to certify or approve modifications to certified Phase I and Phase II vapor recovery systems for gasoline dispensing facilities;

WHEREAS, I, Catherine Dunwoody, Chief of the Monitoring and Laboratory Division, find that the Assist Phase II EVR System not including ISD, as amended to include the components listed above, conforms with all requirements set forth in CP-201, including compatibility when fueling vehicles equipped with onboard refueling vapor recovery systems, and results in a vapor recovery system which is at least 95 percent efficient and does not exceed 0.38 pounds of hydrocarbons per 1,000 gallons of gasoline transferred when tested pursuant to TP-201.2, Efficiency and Emission Factor for Phase II Systems (July 26, 2012).

NOW, THEREFORE, IT IS HEREBY ORDERED that the Assist Phase II EVR System not including ISD is certified to be at least 95 percent efficient and does not exceed 0.38 pounds of hydrocarbon per 1,000 gallons of gasoline transferred in attended and/or self-service mode when used with an CARB-certified Phase I vapor recovery system installed, operated, and maintained as specified herein and in the following exhibits. Exhibit 1 contains a list of the equipment certified for use with the Assist Phase II EVR System not including ISD. Exhibit 2 contains the performance standards, specifications, typical installation drawings and maintenance intervals applicable to the Assist Phase II EVR System not including ISD as installed in a gasoline dispensing facility (GDF). Exhibit 3 contains the manufacturing specifications. Exhibit 4 is the test procedure for verifying performance of the Healy Clean Air Separator. Exhibit 5 is the vapor to liquid ratio test procedure for verifying performance of the Healy 900 Nozzle. Exhibit 6 is the manufacturer warranties. Exhibit 7 is the nozzle bag test procedure. Exhibit 8 provides items required in conducting TP-201.3. Exhibit 9 is the procedure for verifying performance of the Liquid Condensate Trap. Exhibits 10 and 11 are reserved for future procedures and intentionally left blank. Exhibit 12 is the Veeder-Root Maintenance Tracker (optional). Exhibit 13 is the below-grade vaulted tank configuration. Exhibit 14 is the dispenser integrity test.

IT IS FURTHER ORDERED that compliance with the applicable certification requirements, rules and regulations of the Division of Measurement Standards of the Department of Food and Agriculture, the Office of the State Fire Marshal of the Department of Forestry and Fire Protection, the Division of Occupational Safety and Health of the Department of Industrial Relations, and the Division of Water Quality of the State Water Resources Control Board are made conditions of this certification.

IT IS FURTHER ORDERED that each component manufacturer listed in Exhibit 1 shall provide a warranty for the vapor recovery components to the initial purchaser. The warranty shall be passed on to each subsequent purchaser within the warranty period. The warranty shall include the ongoing compliance with all applicable performance standards and specifications and shall comply with all warranty requirements in Section 16.5 of CP-201. Manufacturers may specify that the warranty is contingent upon the

use of trained installers. The manufacturer warranty tag, included with each component, shall be provided to the service station owner/operator at the time of installation.

IT IS FURTHER ORDERED that every certified component manufactured by FFS, ContiTech USA, INC., VST, and Veeder-Root shall meet the manufacturing performance specifications as provided in Exhibit 3.

IT IS FURTHER ORDERED that the certified Assist Phase II EVR System not including ISD shall be installed, operated, and maintained in accordance with the CARB Approved Installation, Operation, and Maintenance Manual. Equipment shall be inspected weekly, quarterly, and annually per the procedures identified in the CARB Approved Installation, Operation, and Maintenance Manual. These inspections shall also apply to systems certified by Executive Orders VR-201-A through W. A copy of this Executive Order and the CARB Approved Installation, Operation and Maintenance Manual shall be maintained at each GDF where a certified Assist Phase II EVR System is installed.

IT IS FURTHER ORDERED that equipment listed in Exhibit 1, unless exempted, shall be clearly identified by a permanent identification showing the manufacturer's name and model number.

IT IS FURTHER ORDERED that any alteration in the equipment parts, design, installation, or operation of the system provided in the manufacturers' certification application or documents and certified hereby is prohibited and deemed inconsistent with this certification, unless the alteration has been submitted in writing pursuant to the process for Executive Order amendments set forth in Section 18 of CP-201 and approved in writing by the CARB Executive Officer or his delegate. Any sale, offer for sale, or installation of any system or component without CARB's approval as set forth above is subject to enforcement action.

IT IS FURTHER ORDERED that the following requirements are made a condition of certification. The owner or operator of the Assist Phase II EVR System not including ISD shall conduct and pass the following tests no later than 60 days after startup and at least once in each 12-month period, using the following test procedures. Shorter time periods may be specified by the District.

- TP-201.3, Determination of 2 Inch WC Static Pressure Performance of Vapor Recovery Systems of Dispensing Facilities (July 26, 2012);
- Exhibit 8, Required Items in Conducting TP-201.3;
- Exhibit 4, Determination of Static Pressure Performance of the Healy Clean Air Separator;
- Exhibit 5, Vapor to Liquid Volume Ratio;
- Exhibit 9, Liquid Condensate Trap Compliance Test Procedure (if applicable);
- Exhibit 14, Dispenser Integrity Test.

Districts may specify the sequencing of the above tests. Notification of testing, and submittal of test results, shall be done in accordance with District requirements and pursuant to policies established by that District. Districts may require the use of alternate test form(s), provided they include the same minimum parameters identified in the datasheet referenced in the test procedure(s). Alternative test procedures, including most recent versions of the test procedures listed above, may be used if determined by the CARB Executive Officer or his delegate, in writing, to yield equivalent results.

IT IS FURTHER ORDERED that the following requirements are made a condition of certification. The owner or operator of the Assist Phase II EVR System not including ISD shall conduct, and pass, the following tests no later than 60 days after startup using Exhibit 7, Nozzle Bag Test Procedure. TP-201.4, Dynamic Back Pressure (July 3, 2002) shall be conducted in accordance with the conditions listed in item 1 of the Vapor Recovery Piping Configurations section of Exhibit 2. Districts have the authority to require conducting of Exhibit 5, Vapor to Liquid Volume Ratio, in lieu of TP-201.4, Dynamic Back Pressure (July 3, 2002) provided that at least 2 gallons of product are introduced into the system through each dispenser riser prior to conducting the test. Notification of testing, and submittal of test results, shall be done in accordance with District requirements and pursuant to the policies established by that District. Districts may require the use of alternate test form(s), provided they include the same minimum parameters identified in the datasheet referenced in the test procedure(s). Alternative test procedures, including most recent versions of the test procedures listed above, may be used if determined by the CARB Executive Officer or his delegate, in writing, to yield equivalent results.

IT IS FURTHER ORDERED that, except as provided above, Districts at their discretion will specify the testing, related sequencing, and testing frequency of the nozzle vapor valves. If nozzle vapor valve tests are required by the District, the test shall be conducted in accordance with Exhibit 7, Nozzle Bag Test Procedure.

IT IS FURTHER ORDERED that the Assist Phase II EVR System not including ISD shall be compatible with gasoline in common use in California at the time of certification. The Assist Phase II EVR System not including ISD is not compatible with gasoline containing more than 15 percent methanol, 15 percent ethanol, or 15 percent methyl tertiary butyl ether. Any modifications to comply with future California gasoline requirements shall be approved in writing by the CARB Executive Officer or his delegate.

IT IS FURTHER ORDERED that the certification of the Assist Phase II EVR System not including ISD is valid through September 1, 2019.

IT IS FURTHER ORDERED that Executive Order VR-201-W issued on August 30, 2018, is hereby superseded by this Executive Order. Assist or Healy Phase II EVR Systems not including ISD certified under Executive Order VR-201-A through W

may remain in use at existing installations up to four years after the expiration date of this Executive Order when the certification is not renewed.

IT IS FURTHER ORDERED that this Executive Order shall apply to new installations or major modification of Phase II Systems with a throughput of less than or equal to 600,000 gallons per year. Use of this Executive Order for new installations or major modifications at a GDF with a throughput of more than 600,000 gallons per year is not authorized.

Executed at Sacramento, California, this 15<sup>th</sup> day of February 2019.



\_\_\_\_\_  
Catherine Dunwoody, Chief  
Monitoring and Laboratory Division

Attachments:

- Exhibit 1      Equipment List
- Exhibit 2      System Specifications
- Exhibit 3      Manufacturing Performance Standards and Specifications
- Exhibit 4      Determination of Static Pressure Performance of the Healy Clean Air Separator
- Exhibit 5      Vapor to Liquid Volume Ratio
- Exhibit 6      Manufacturer Warranties
- Exhibit 7      Nozzle Bag Test Procedure
- Exhibit 8      Required Items in Conducting TP-201.3
- Exhibit 9      Liquid Condensate Trap Compliance Test Procedure
- Exhibit 10     This section left intentionally blank
- Exhibit 11     This section left intentionally blank
- Exhibit 12     Veeder-Root Maintenance Tracker (Optional)
- Exhibit 13     Below-Grade Vaulted Tank Configuration
- Exhibit 14     Dispenser Integrity Test

**Executive Order VR-201-X  
Assist Phase II EVR System  
Not Including ISD**

**Exhibit 1**

**Part 1 - Equipment List**

<b><u>Component</u></b>	<b><u>Manufacturer/Model</u></b>
<b>Nozzle</b>	Healy Model 900 (Figures 1-1 and 1-2)  Note: Nozzle can have either a two position or three position hold open clip (see Figure 1-1)
<b>Clean Air Separator</b>	Healy Model 9961 Clean Air Separator (Figures 1-3 and 1-4) Healy Model 9961H Clean Air Separator (Figures 1-3H and 1-4H)
<b>Inverted Coaxial Hoses</b>	Healy Model 75 Series Low Permeation Hose (3/4" I.D) (Figure 1-5a) 75W-XXX-YZYZ-LP Where: W = hose color (varies) Note: Product label will have an "X" in this position for all hose colors XXX = hose length First two digits = length in feet Last digit = length in tenths of foot Note: Product label will have "XXX" in this position for hose length Y = hose end type S = Swivel End F = Fixed End Z = thread type 2 = Healy Straight Thread 3 = Metric Thread 4 = Balance-Type Thread  ContiTech <sup>1</sup> Futura HVR Series Low Permeation Hose (3/4" I.D) (Figure 1-5b) 532-33W-X24-0YYZZ Where: W = hose color (varies) X = fitting combination 2 = S2S2 3 = S3F2

---

<sup>1</sup> Veyance brand name has changed to ContiTech.



	(Figure 1-10c) VST Model VST-HEVR-SBK (Figure 1-10d) VST Model VST-ISVR-SBK (M34 type) (Figure 1-10e)
<b>Flow Limiter<sup>3</sup></b>	Healy Model 1301 (Figures 1-11 and 1-12) Healy Model 1302 (Figures 1-13 and 1-14)
<b><u>Component</u></b>	<b><u>Manufacturer / Model</u></b>
<b>Dispenser Vacuum Pump</b>	Healy Model VP1000 Vacuum Pump Healy/Franklin Electric Model VP1000 Vacuum Pump (Figure 1-15)
<b>Control Module</b>	Healy Model MC 100 (Figure 1-16)
<b>Dispensers</b>	<b>Note:</b> Unihose dispensers shall be required unless as provided by Section 4.10 of CP-201. Gilbarco Encore Series <sup>4</sup>

Healy Kit VP1000R<sup>5</sup> or VP1000S<sup>6</sup>

<u>Model#’s</u>	<u>Description:</u>
NAO	Encore 1 Grade Multi-hose
NA1	Encore 2 Grade Multi-hose
NA2	Encore 3 Grade Multi-hose
NA3	Encore 4 Grade Multi-hose
NG0	Encore 3 Grade Single-Hose
NG1	Encore 4 Grade Single-Hose plus 1
NG4	Encore 2 Grade Single-Hose
NJ0	Multi-hose Blender
NJ2	Multi-hose Blender plus
NL0 NL1 NL2 NL3	Encore X+1 Blender
NN0 NN1 NN2 NN3	Encore X+0 Blender

GasBoy 9800 Series (Gilbarco)

Healy Kit VP1000M<sup>7</sup>

<u>Model #’s</u>	<u>Description:</u>
------------------	---------------------

<sup>3</sup> Flow limiter is mandatory when the flow rate is greater than 10.0 gallons per minute to comply with US EPA requirement. 1301 is used with 8701VV breakaway. 1302 is used with 807 swivel breakaway.

<sup>4</sup> Encore Dispensers factory equipped with Healy VP1000 will now have an angled (~13°) outlet casting.

<sup>5</sup> Kit used to install Healy components in Encore Balance series dispenser. VP1000R previously sold as equivalent to VP1000L.

<sup>6</sup> Kit used to install Healy components in Encore Assist series dispenser. VP1000S previously sold as equivalent to VP1000K.

<sup>7</sup> Kit used to install Healy components in GasBoy 9800 series dispenser.



9852 - Suffix1 Suffix2

9853 - Suffix1 Suffix2

Where:

Suffix1 can be:

A = Factory fabrication and assembly  
modifications to chassis

HC = High capacity model

M = Manifold supply inlet at the pumping  
unit inlet

**Component****Manufacturer / Model****Dispensers  
(continued)**

TW1 = Manifold supply inlet  
 TW2 = Two individual supply inlets  
 X = Dispenser supplied by a submersible pump  
 Q = Utilizes an alternate meter and pump

Suffix2 can be:

B = Battery back-up for electronics  
 C = Pump interface  
 D = DC conduit and junction box  
 F = Fuel filter  
 G = Imperial gallons registration  
 H = High hose retriever  
 I = Internal hose retriever  
 L = Lighted panel  
 N = Equipped to handle a long spout nozzle  
 P = Satellite dispenser as part of the unit (for connection to a master pump)  
 PP = Solenoid valves (optional only on pumps)  
 R = Liters registration  
 S = Piping for connection to satellite  
 SS = Stainless steel panels  
 SSA = Equipped with stainless steel doors  
 SSTS = Stainless steel tops and doors  
 T = Mechanical totalizer  
 U = Submersible drive relays  
 W = Heater  
 Y = Vapor recovery ready  
 Z = Front Load Nozzle  
 2 = 230 VAC/60hz operation  
 3 = 230 VAC/60hz operation with 380VAC/60hz motor (available on all models except 9852Q)  
 25 = 230VAC/50hz operation  
 35 = 230VAC/50hz operation with 380VAC/50hz motor  
 4 = RS-485 interface  
 5 = 50hz operation  
 7 = Electronic totalizer activator on both sides  
 9 = Provided with 900-R Series TopKat

**Component****Manufacturer / Model**

**Dispensers**  
(continued)

Wayne Harmony Series

Healy Kit VP1000N<sup>8</sup> or VP1000Q<sup>9</sup>

Model #'s                      Description:  
prefix/VXXXYZ/suffix

Where:

- prefix = Any number or letter (with a possible "H" for Harmony)
- V        = Vista
- X        = Any digit
- Y        = D or P  
          D = remote dispenser type for delivering fuel  
          P = suction pump for delivering fuel
- Z        = 1, 3, 4, 5, 6, 7 or 8
- suffix = D1 or D2, and any combination of number(s) or letter(s)

Wayne Ovation Series

Healy Kit VP1000P<sup>10</sup>

Model #'s                      Description:  
XYZ/ABC

Where:

- X        = B or R  
          B = Blended Dispenser  
          R = Regular Dispenser
- Y        = Number of hoses per side  
          1 = one hose per side  
          2 = two hoses per side
- Z        = Number of inlets per side  
          1 = one inlet  
          2 = two inlets
- A        = Number of grades  
          1 = one grade  
          2 = two grades  
          3 = three grades  
          4 = four grades  
          5 = five grades

<sup>8</sup> Kit used to install Healy components to Harmony Balance series dispenser.

<sup>9</sup> Kit used to install Healy components to Harmony Assist series dispenser.

<sup>10</sup> Kit used to install Healy components to Ovation Balance or Assist series dispenser. VP1000P previously sold as equivalent to VP1000C.

**Component****Manufacturer / Model**

**Dispensers**  
(continued)

B = Number of sides  
1 = one side  
2 = two sides  
C = Number of columns  
1 = one column  
2 = two columns

## Wayne Vista Series

Healy Kit VP1000T<sup>11</sup> & VP1000V<sup>12</sup>

Model #'s                      Description:  
prefix/VXXXYZ/suffix

Where:

Prefix = Any number or letter

V = Vista

X = Any digit

Y = D or P

D = remote dispenser type for  
delivering fuel

P = suction pump for delivering fuel

Z = 1, 3, 4, 5, 6, 7 or 8

Suffix = D1 or D2, and any combination of number(s)  
or letter(s)

Wayne Global Century & Select Series<sup>13</sup>

Model #'s                      Description  
3/GABCDE/Suffix

Where:

A = Model Series

2 = Global Century

7 = Select

B = Cabinet Style

2 = Column Style

C = Flow Rate Capacity

0 = Standard Flow

4 = Twin I, Dual Filters

<sup>11</sup> Kit used to install Healy components to 3V and 4V Vista series dispenser. VP1000T previously sold as equivalent to VP1000C.

<sup>12</sup> Kit used to install Healy components to 1V and 2V Vista series dispenser. VP1000V previously sold as equivalent to VP1000F.

<sup>13</sup> Dispenser configuration only available for purchase from Dresser Wayne. There is no Kit for retrofit of these dispenser types.

**Component**

**Manufacturer / Model**

**Dispensers**  
(continued)

- D = Number of Hoses & Orientation
  - 1 = Single, Island-Oriented
  - 2 = Twin I, Island-Oriented
  - 3 = Twin II, Island-Oriented
  - 7 = Twin I, Lane-Oriented or Single Side, Lane-Oriented w/ "R" Suffix
  - 8 = Twin II, Lane-Oriented
- E = Dispenser Type
  - D= Dispenser-Remote
- Suffix = Any combination of letters or numbers

Wayne Reliance Series<sup>14</sup>

Model #'s                      Description  
/GABCDE/Suffix

Where:

- A = Model Series
  - 5 = Reliance Mechanical Fleet – Pricing
  - 6 = Reliance Mechanical Fleet – Volume Only
- B = Cabinet Style
  - 2 = Column Style
- C = Flow Rate Capacity
  - 0 = Standard Flow
- D = Number of Hoses & Orientation
  - 1 = Single, Island-Oriented
  - 2 = Twin I, Island-Oriented
  - 3 = Twin II, Island-Oriented
- E = Dispenser Type
  - D= Dispenser-Remote
- Suffix = Any combination of letters or numbers

<sup>14</sup> Dispenser configuration only available for purchase from Dresser Wayne. There is no Kit for retrofit of this dispenser type.

**Component**

**Manufacturer / Model**

**Dispensers  
(continued)**

FFS/Healy Universal Retrofit Manual<sup>15</sup>

- Healy Kits = VP1000A<sup>16</sup>
- = VP1000D<sup>17</sup>
- = VP1000G<sup>18</sup>
- = VP1000H<sup>19</sup>
- = VP1000J<sup>20</sup>
- = Z071V<sup>21</sup>
- = Z070E<sup>22</sup>
- = Z008<sup>23</sup>
- = Z009<sup>24</sup>

**TABLE 1  
Components Exempt from Identification  
Requirements**

Component Name	Manufacturer	Model Number
Dispenser Kit	Healy	VP1000A & VP1000B VP1000D VP1000G VP1000H VP1000J VP1000M VP1000N VP1000P VP1000Q VP1000R VP1000S VP1000T VP1000V Z008 Z009 Z070E Z071V

<sup>15</sup> Any dispenser not currently listed in Exhibit 1 can be upgraded to Healy EVR using one of the kits listed in this section.

<sup>16</sup> Kit contains Universal Wire Harness for use in any dispenser make or model. For use with any VAC or VDC solenoid valves. VP1000A previously sold as equivalent to VP1000B.

<sup>17</sup> Early Gilbarco Encore 300 Blender Dispensers – 120 VAC valves (mfg. before 04/2003).

<sup>18</sup> Wayne DL Non-Blender Dispensers – 120 VAC valves.

<sup>19</sup> Tokheim Premier C Blender Dispensers – 24 VDC valves.

<sup>20</sup> Early Tokheim Blender Dispensers – Combination 120 VAC & 24 VDC valves.

<sup>21</sup> Universal Vapor Kit.

<sup>22</sup> Universal Electrical Kit.

<sup>23</sup> Standard Low Profile Single Hose Dispenser Retrofit Kit.

<sup>24</sup> Standard Low Profile Dual Hose Dispenser Retrofit Kit.

**Component****Manufacturer / Model****Maintenance Tracker Kit  
(Optional)**

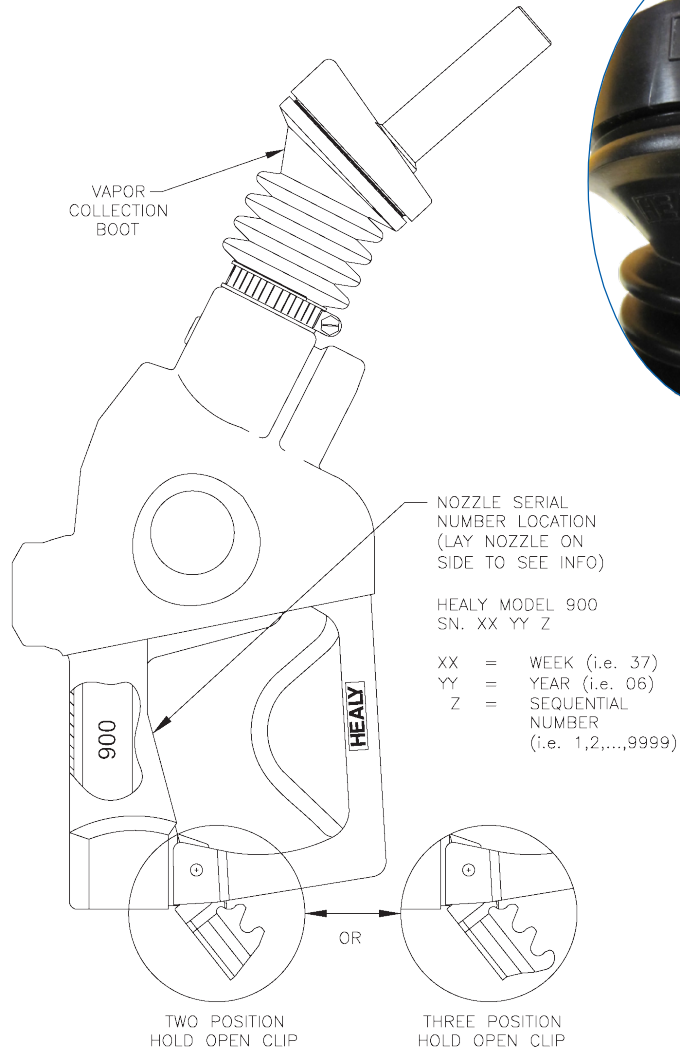
Veeder-Root 330020-546

Consists of the following:

- Maintenance Tracker Technician Key (Figure 1-17)
- Interface Module RS232/485 Dual Module with DB9 Converter or Single Port Module with DB-25 converter (Figure 1-18)
- Manual

### Healy Model 900 EVR Nozzle

**FIGURE 1-1**  
(Drawing)

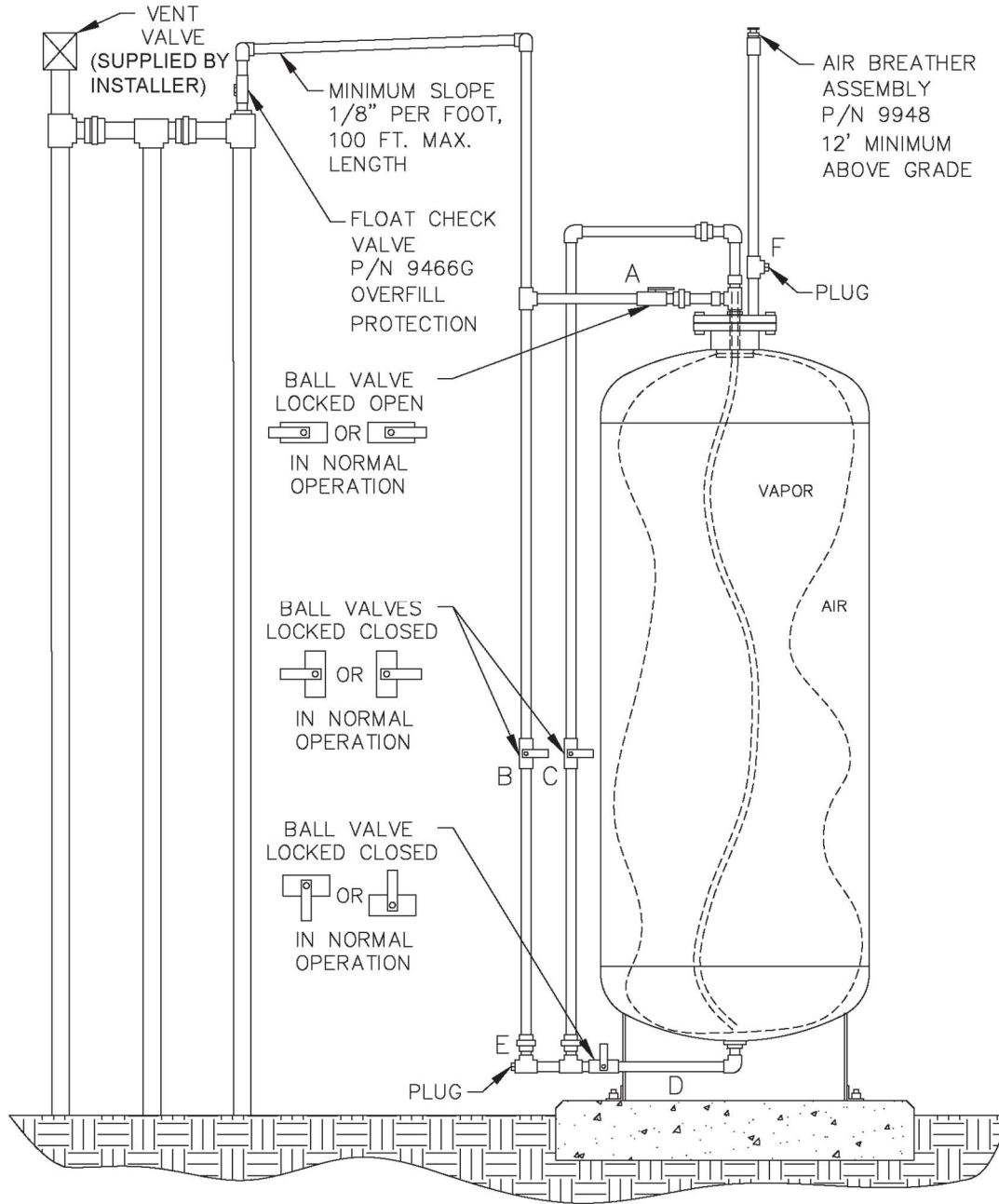


**FIGURE 1-2**  
(Image)

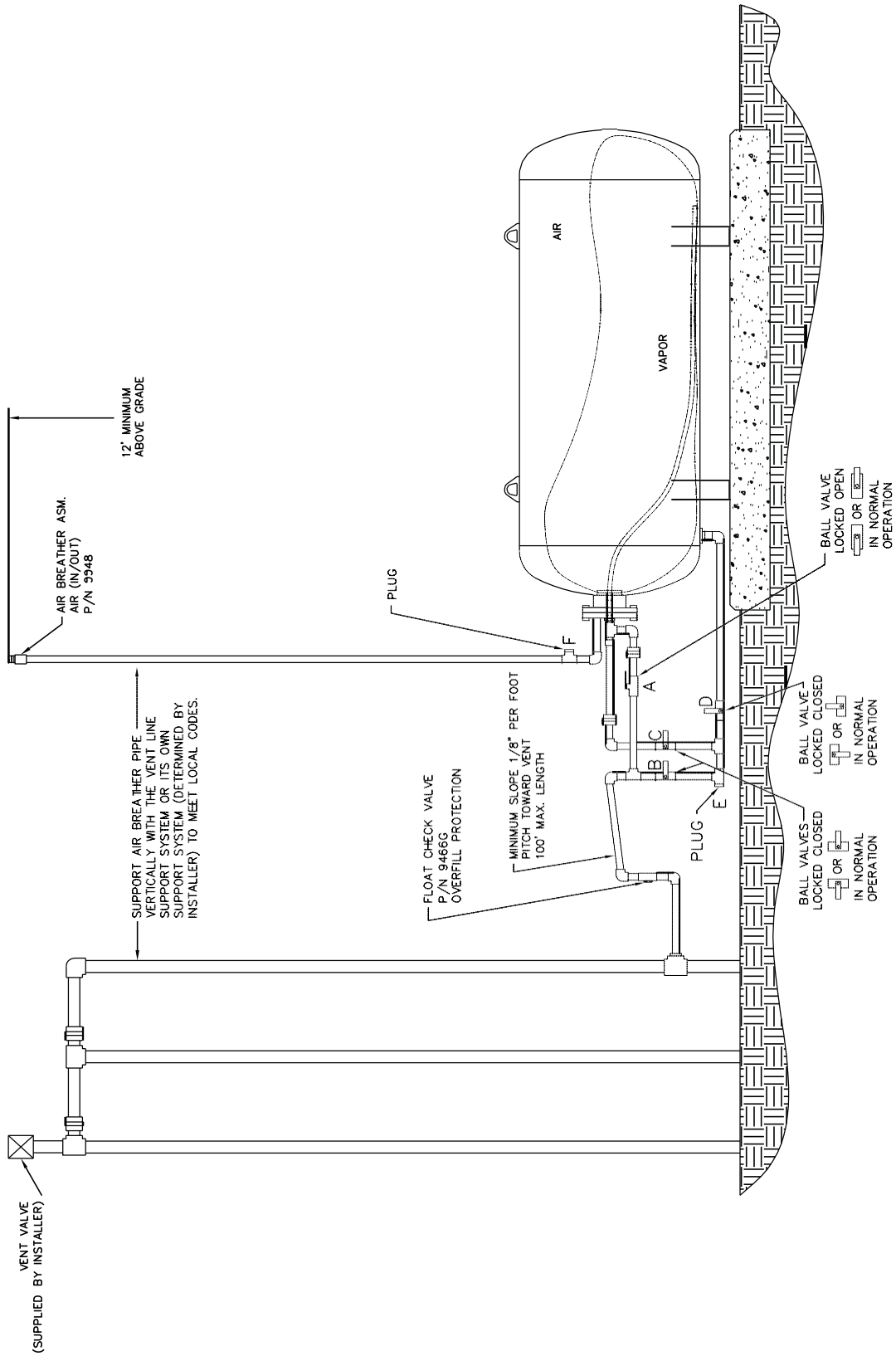




**FIGURE 1-3**  
**Healy Model 9961 Clean Air Separator**



**FIGURE 1-3H**  
**Healy Model 9961H Clean Air Separator**



**FIGURE 1-4**  
**Healy Model 9961 Clean Air Separator**



**FIGURE 1-4H**  
**Healy Model 9961-H Clean Air Separator**



**Clean Air Separator Name Plate**



**Clean Air Separator Data Plate**  
(not pictured on far side of base)

**Figure 1-5a**  
**Healy Model 75 Series Low Permeation Hose Assembly**  
(hose and lay line colors may vary)



Figure 1-5b  
ContiTech Futura HVR Low Perm Series Hose  
(hose and lay line colors may vary)

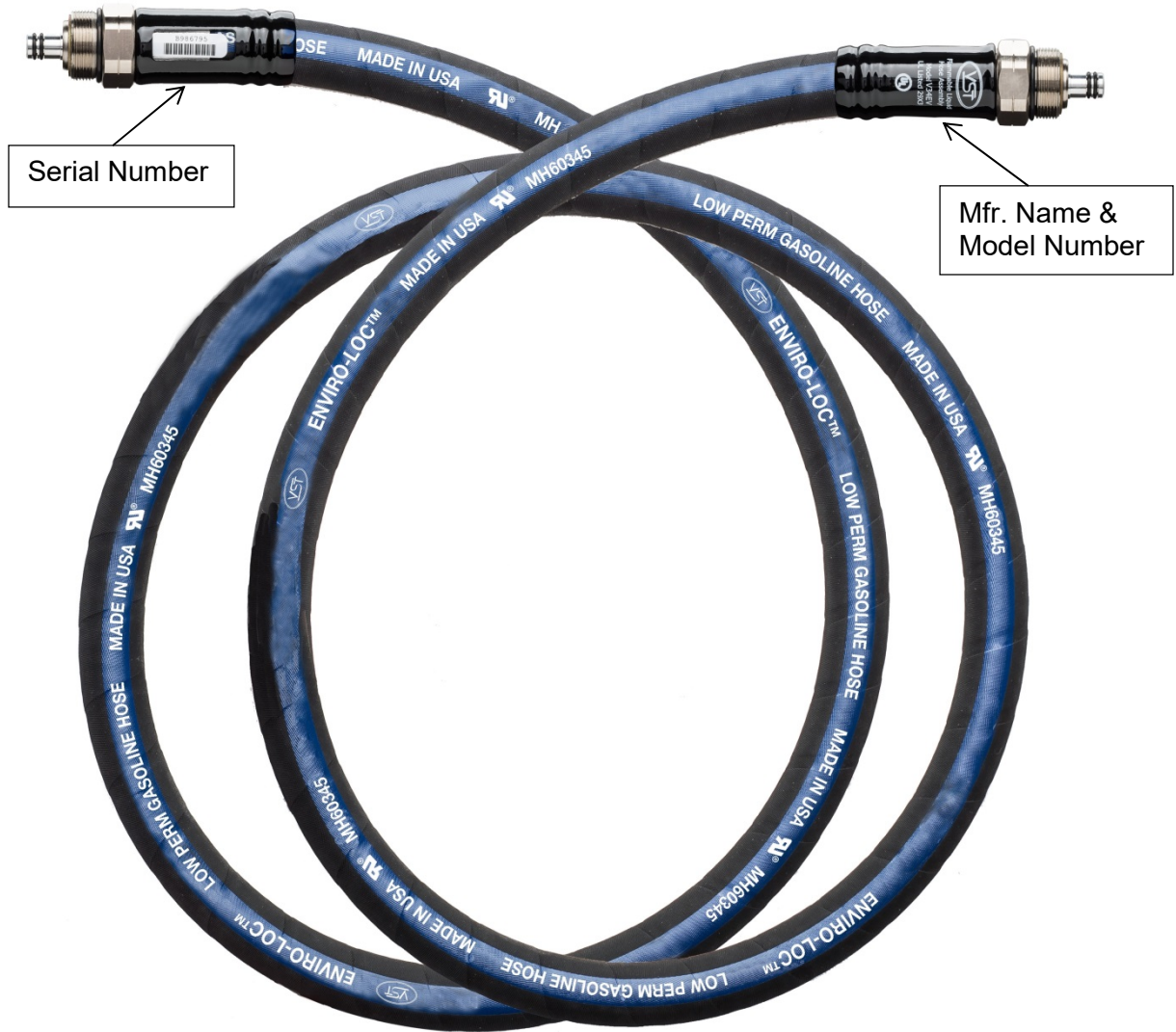
ContiTech 559N Made in USA 3/4" 9N FLEXSTEEL FUTURA HVR Low Perm (10g/m<sup>2</sup>/Day) Gasoline Hose



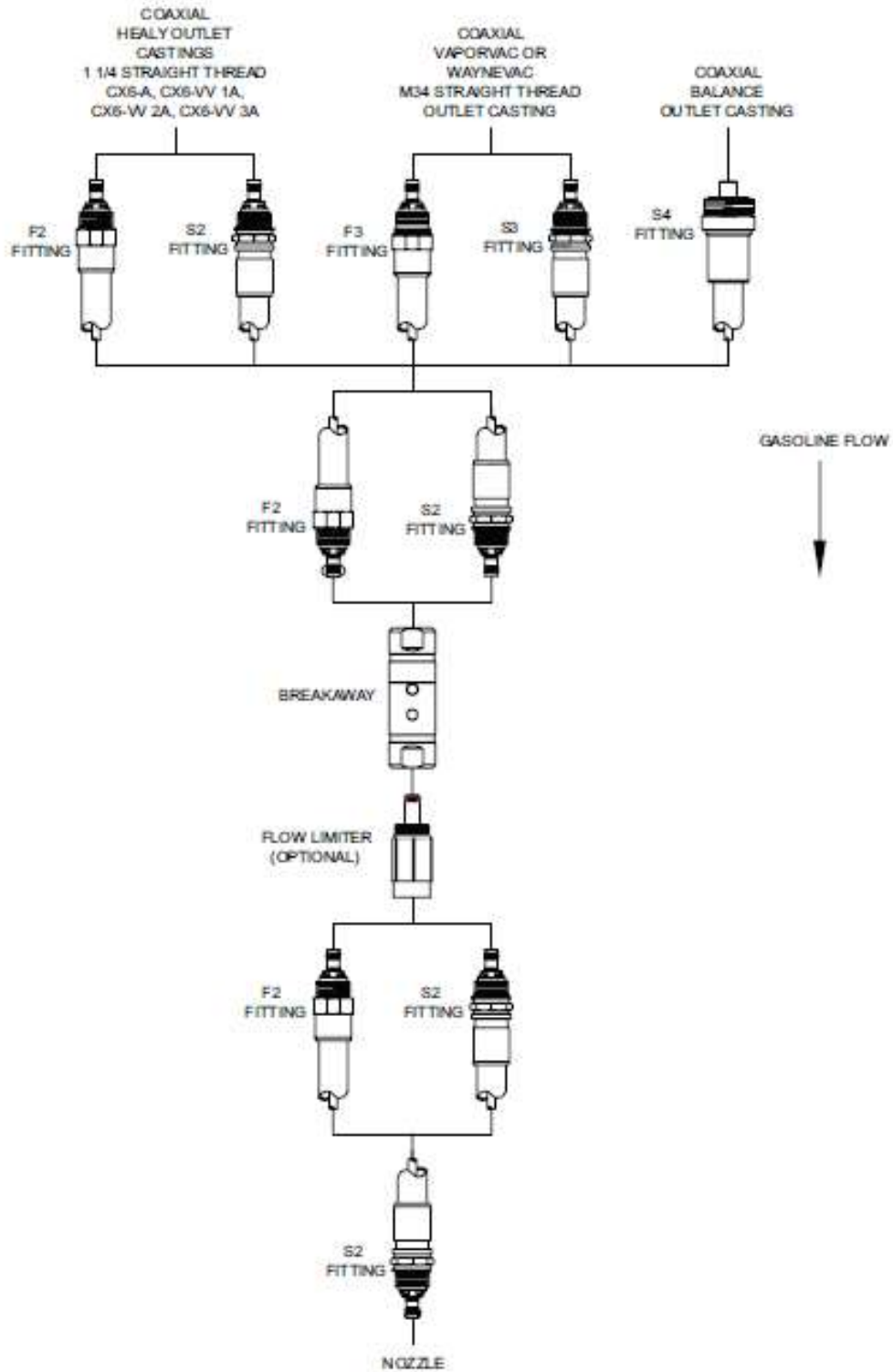
Serial Number

ContiTech USA, Inc.  
703 S. Cleveland Massillion Rd.  
Fairlawn, OH 44333 USA  
Telephone: 1-800-235-4632

**Figure 1-5c**  
**VST V34EV ENVIRO-LOC™ Series Low Permeation Hose**  
(hose and lay line colors may vary)

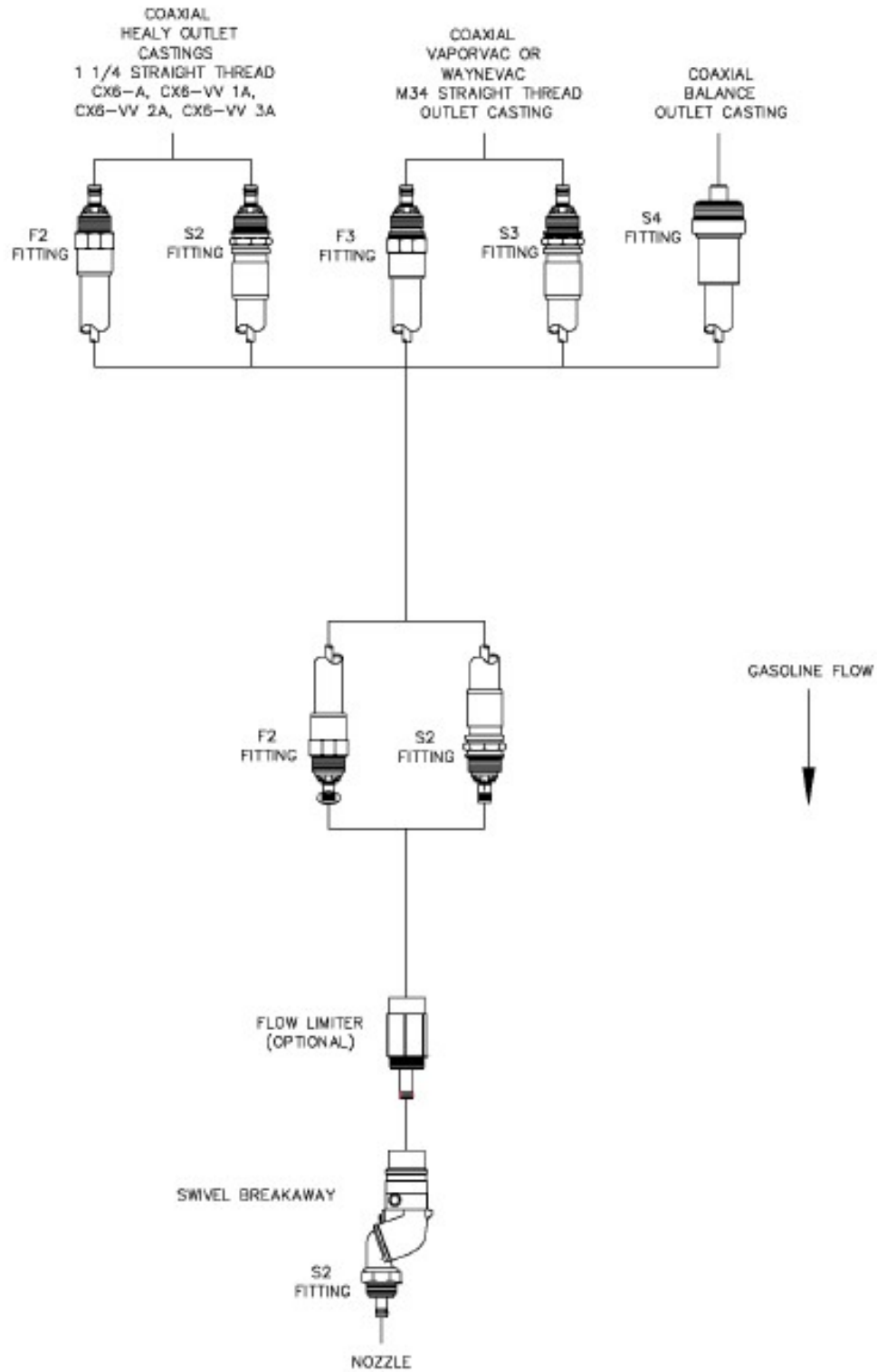


**FIGURE 1-6**  
**Hanging Hardware Selection Options**  
**Breakaway and 1301 Flow Limiter**





**FIGURE 1-7**  
**Hanging Hardware Selection Options**  
**Model 807 Swivel Breakaway and 1302 Flow Limiter**



### Dispenser Conversion Adaptors

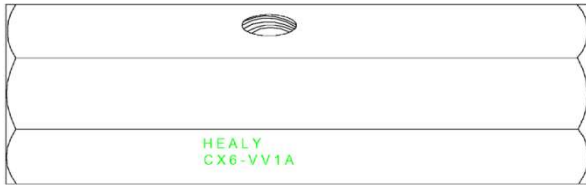
**FIGURE 1-8**  
Healy Model CX6-A



**FIGURE 1-8**  
Healy Model CX6-A



**FIGURE 1-8**  
Healy Model CX6-VV1A



**FIGURE 1-8**  
Healy Model CX6-VV2A



Dispenser Conversion Adaptors

FIGURE 1-9  
Healy Model CX6-VV3A

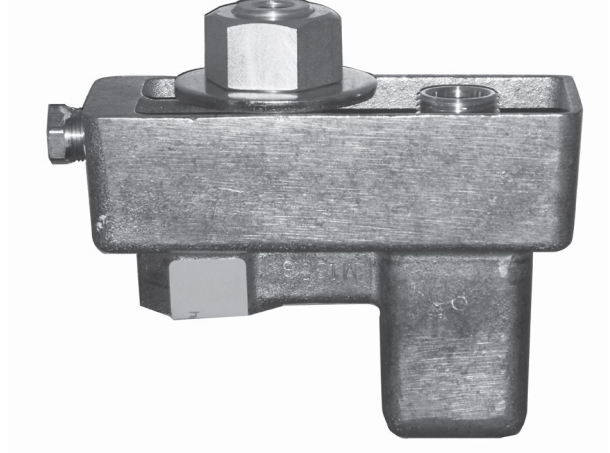
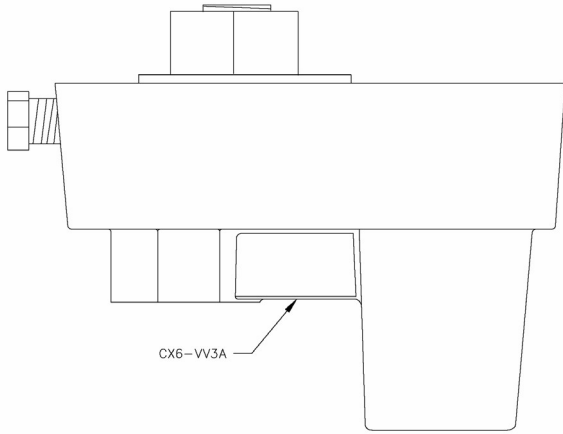


FIGURE 1-9  
EBW Model 303-301-01

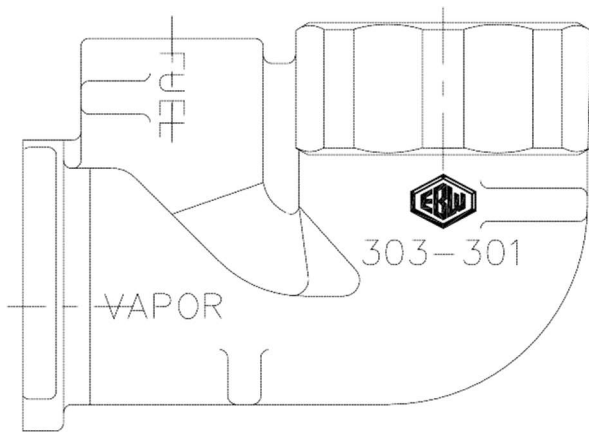
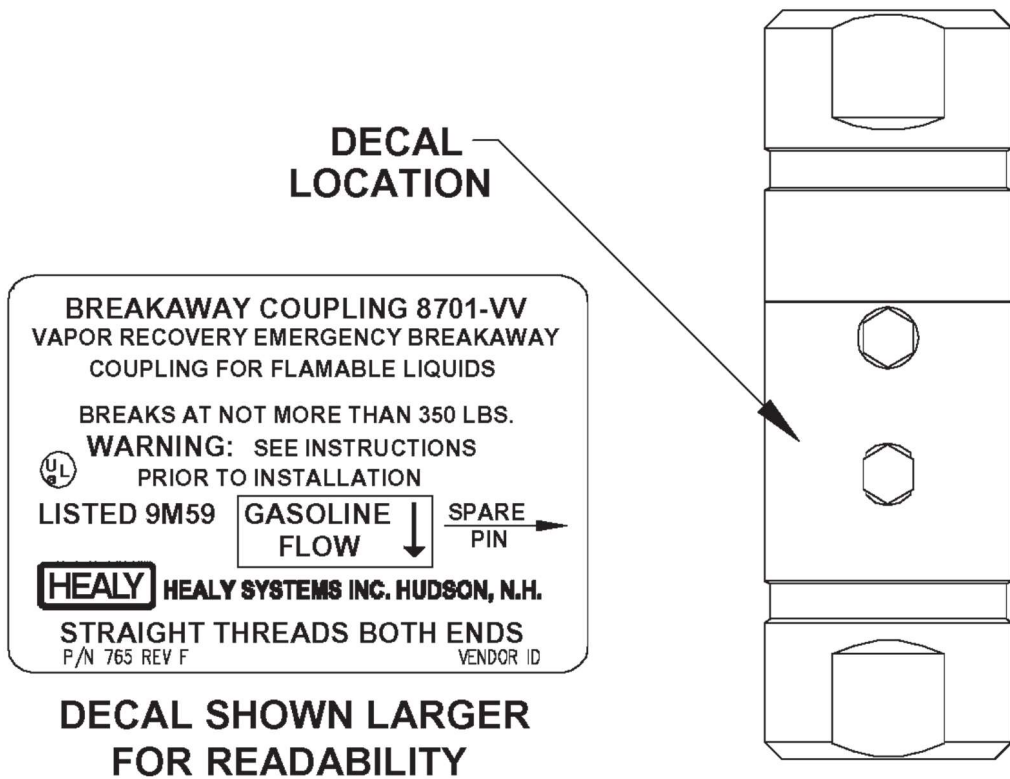
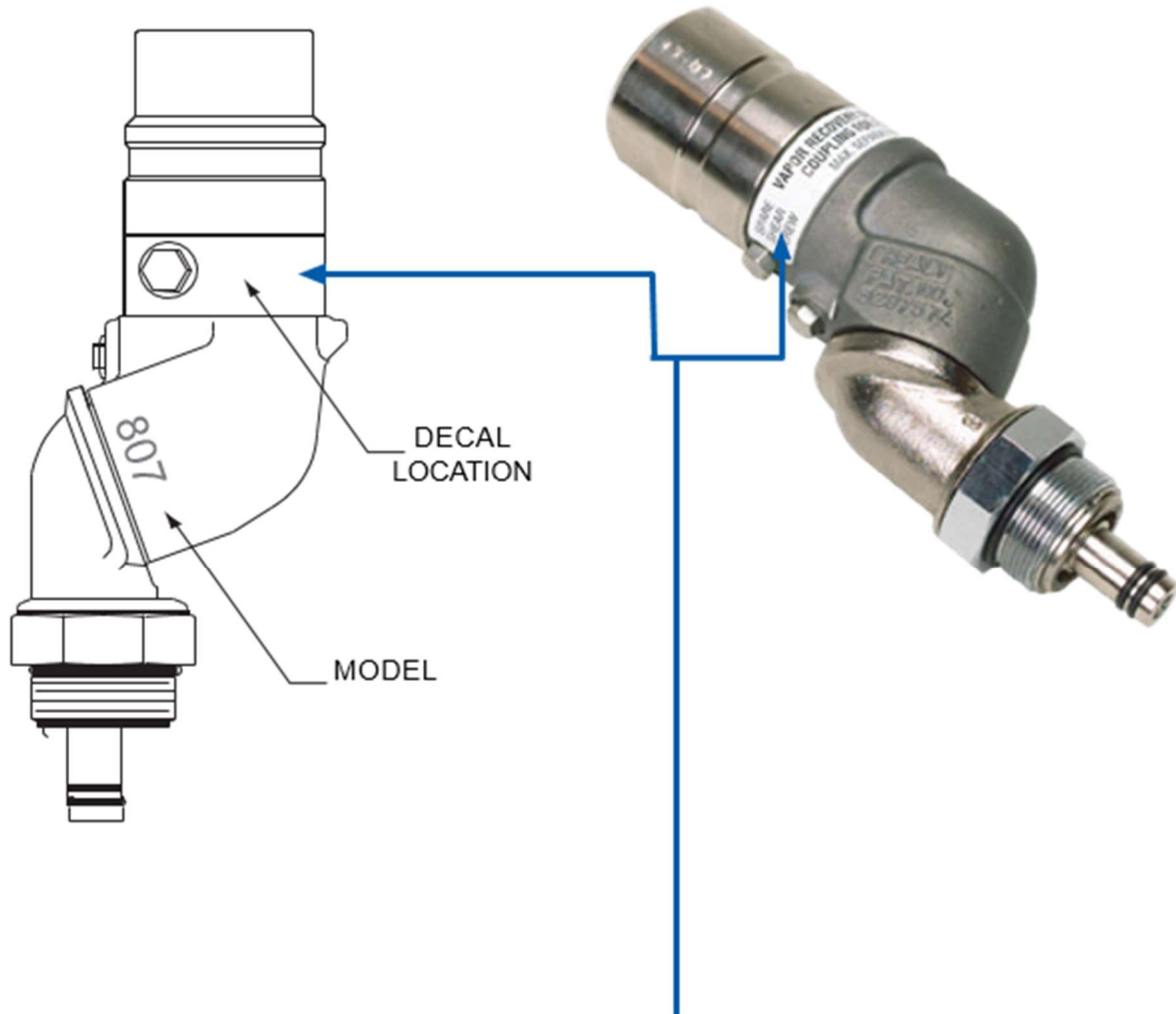


FIGURE 1-10a  
Healy Model 8701VV Breakaway



**FIGURE 1-10b**  
**Healy Model 807 Swivel Breakaway**



FLOW ▼ STRAIGHT THDS. BOTH ENDS	<b>VAPOR RECOVERY EMERGENCY BREAKAWAY</b> <b>COUPLING FOR FLAMMABLE LIQUIDS</b> MAX. SEPARATION FORCE 350# <small>FRANKLIN FUELING SYSTEMS MADISON WI</small>	LISTED <small>3M.52</small> MODEL 807	SPARE SHEAR SCREW ▼	LBL P/N 893
--	--	--	------------------------------	-------------

FLOW ▼ STRAIGHT THDS. BOTH ENDS	<b>VAPOR RECOVERY EMERGENCY BREAKAWAY</b> <b>COUPLING FOR FLAMMABLE LIQUIDS</b> MAX. SEPARATION FORCE 350#	LISTED <small>3M.52</small> MODEL 807 <small>Healy Systems Inc. Hudson, N.H. 03051</small>	SPARE SHEAR SCREW ▼	LBL P/N 893
--	--	--	------------------------------	-------------

DECALS SHOWN LARGER FOR READABILITY

EITHER LABEL MAY APPLY

**FIGURE 1-10c**  
**Catlow Model CTMCA Breakaway**



Cover



Serial Number

M3418 Adaptor and Ferrule



**FIGURE 1-10d**  
**VST Model VST-HEVR-SBK Breakaway**

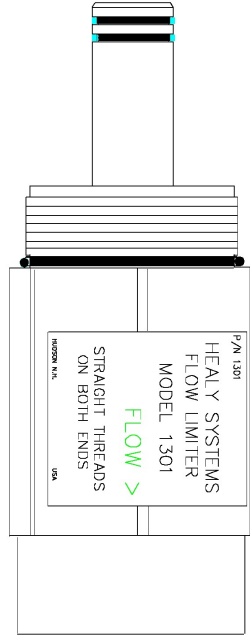


**FIGURE 1-10e**  
**VST Model VST-ISVR-SBK Breakaway**  
**(M34 type)**





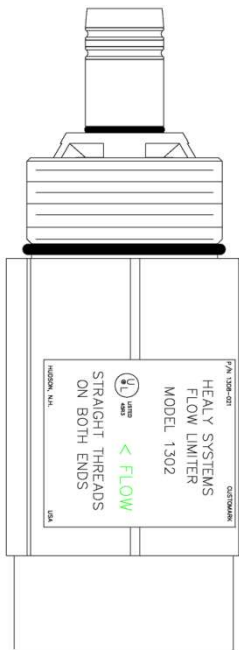
**FIGURE 1-11**  
Healy Model 1301 Flow Limiter



**FIGURE 1-12**  
Healy Model 1301 Flow Limiter



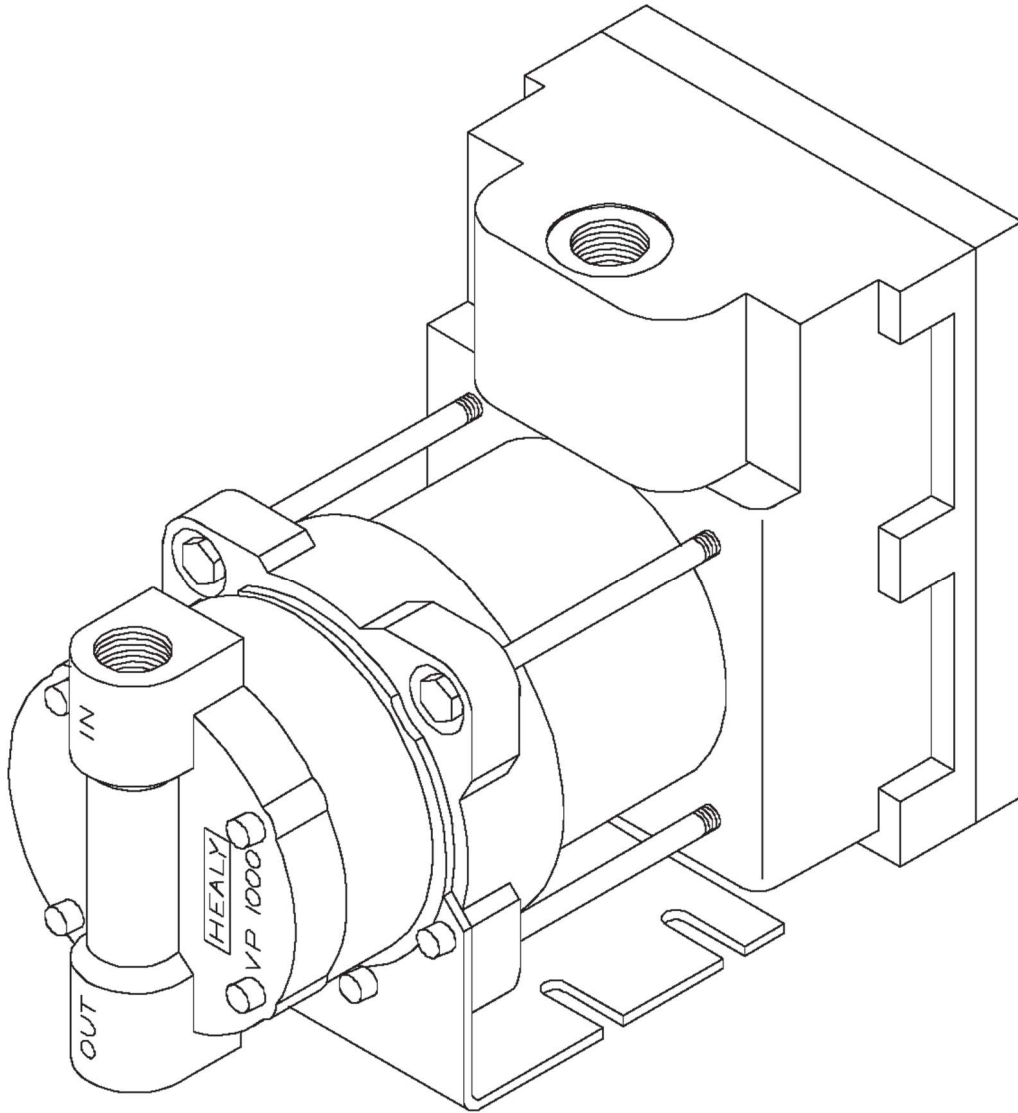
**FIGURE 1-13**  
Healy Model 1302 Flow Limiter



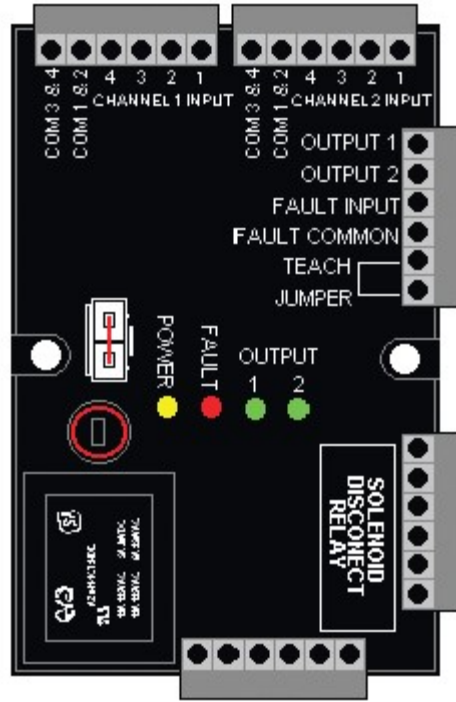
**FIGURE 1-14**  
Healy Model 1302 Flow Limiter



**FIGURE 1-15**  
**Healy Model VP1000 Vacuum Pump**



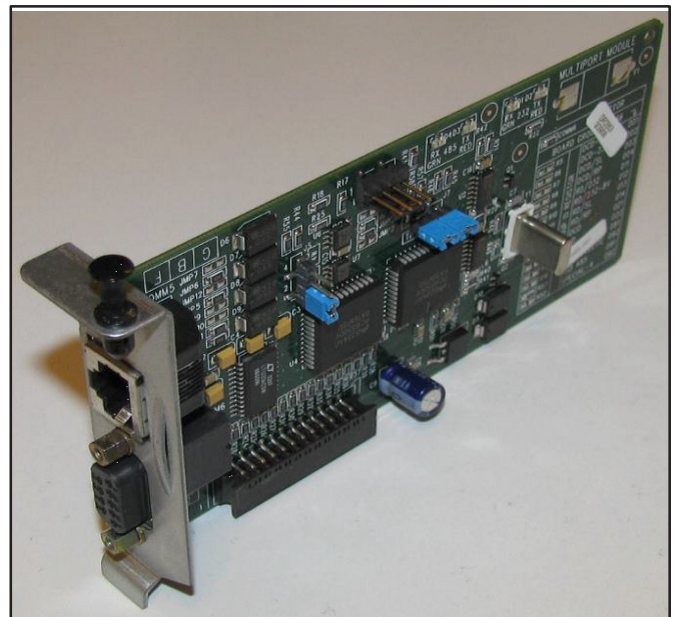
**FIGURE 1-16**  
**MC 100 Control Module**



**FIGURE 1-17**  
**Maintenance Tracker Technician Key**



**FIGURE 1-18**  
**Interface Module RS232/485**  
**Dual Module with DB9 Converter or**  
**Single Port Module with DB-25 converter**

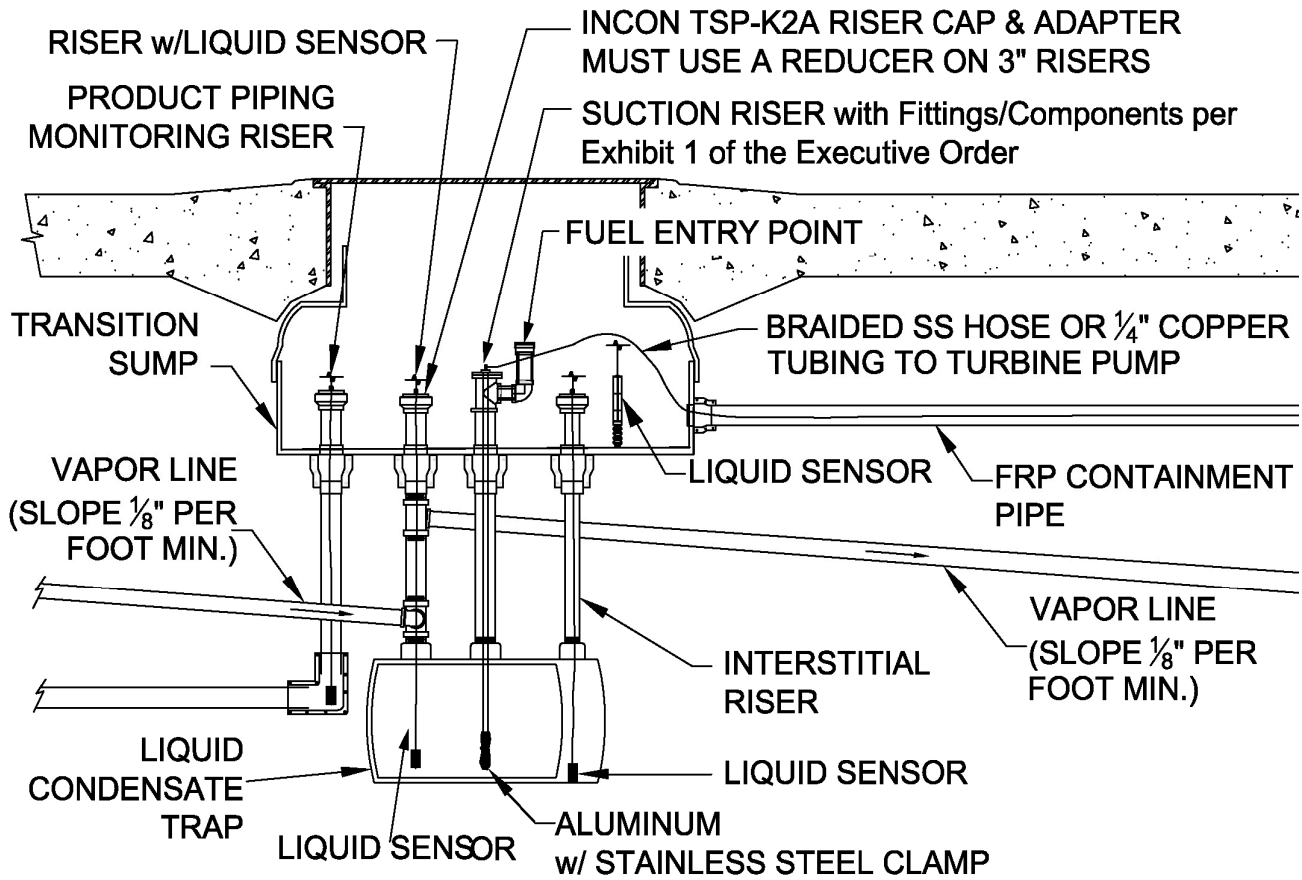


**Part 2 - Vapor Equipment List for Liquid Condensate Trap  
Figures 1A-LCT-1 and 1A-LCT-2**

<b><u>Component</u></b>	<b><u>Manufacturer/Model</u></b>
<b>Riser Adapter</b>	INCON model TSP-K2A
<b>In-Line Filter</b>	140 micron, Swagelok B-4F2-140 or SS-4F2-140, or equivalent
<b>Screen</b>	Aluminum Insect screen (18X14 mesh), or Stainless Steel Insect screen (18X18 mesh).
<b>Stainless Steel Hose Clamp</b>	Sized to secure screen to suction tube.
<b>Liquid Sensor<sup>1</sup></b>	Must have an audible and visual alarm
<b>Liquid Condensate Trap<sup>1</sup></b>	Any capacity, manufacturer, make and model

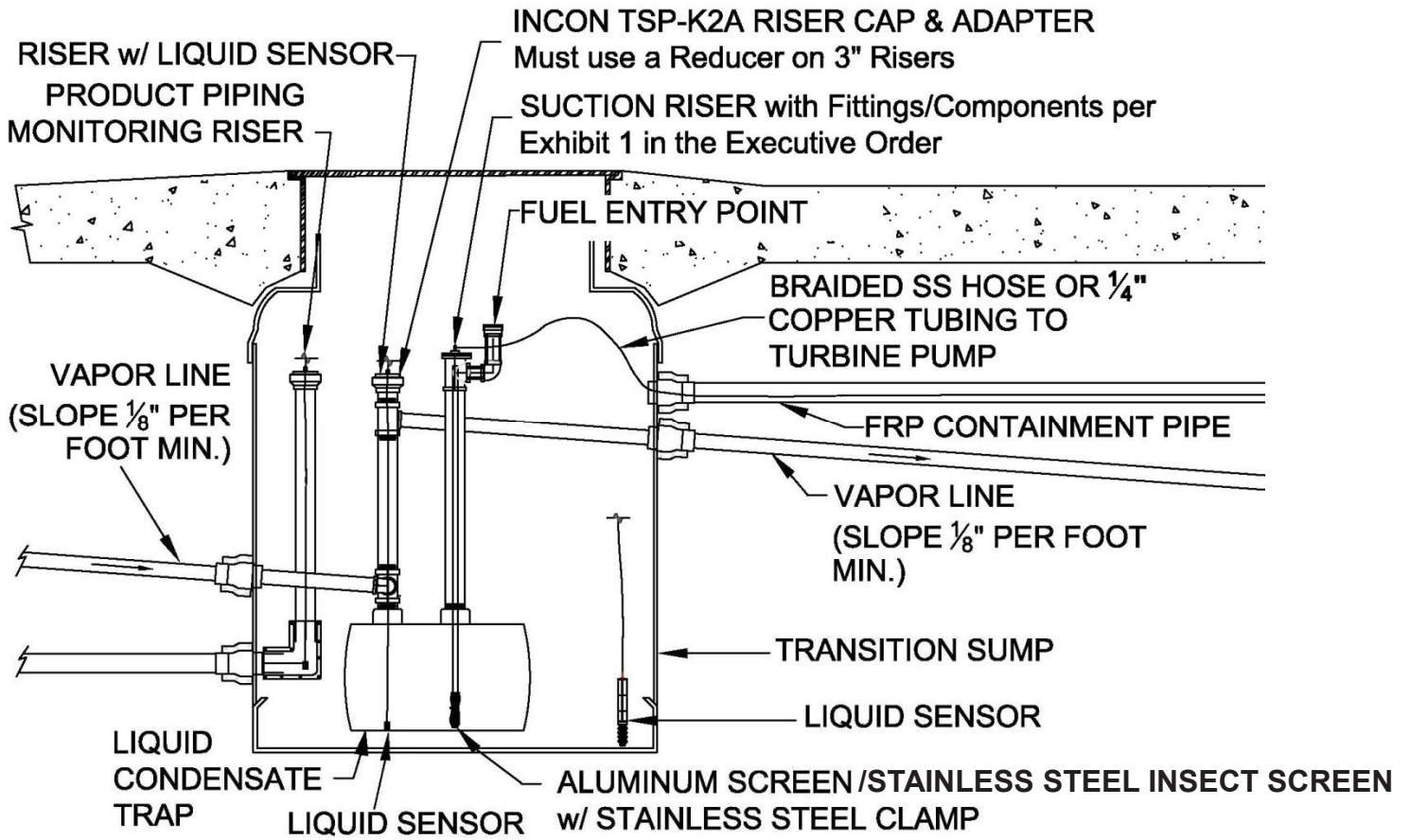
<sup>1</sup> Must meet applicable State Water Resources Control Board requirements (e.g. LG-113, LG-167 and LG-169) and any local authority having jurisdiction which includes the Certified Unified Program Agency (CUPA).

**FIGURE 1A-LCT-1**  
Typical Liquid Condensate Trap Installed Below the Transition Sump



**FIGURE 1A-LCT-2**  
**Typical Liquid Condensate Trap Installed Inside the Transition Sump**

**Note:** A Liquid Condensate Trap installed inside a liquid AND vapor tight transition sump that is monitored with a liquid sensor can be single walled (if installed before July 1, 2004).



**Executive Order VR-201-X  
Assist Phase II EVR System  
Not Including ISD**

**Exhibit 2  
SYSTEM SPECIFICATIONS**

This exhibit contains the installation, maintenance and compliance standards and specifications that apply to the Assist Phase II EVR System installed in a gasoline dispensing facility. All components must be installed, operated, and maintained in accordance with the specifications in the **ARB Approved Installation, Operation and Maintenance (IOM) Manual**. Installation, maintenance, and repair of system components, including removal and installation of such components in the course of any required tests, shall be performed by technicians certified by the appropriate manufacturer unless otherwise specified in the IOM. Additional certifications may be required in accordance with local district requirements.

**Nozzle**

1. A vapor collection boot shall be installed on the nozzle at the base of the spout, as shown in **Figure 2-1**.
2. The Healy Model 900 nozzle has an integral vapor valve which prevents the loss of vapor from the underground storage tanks, ensures proper operation of the system and prevents the ingestion of air into the system. Any dispenser that has a nozzle installed that is determined to have a defective vapor valve, as described in items 2.1 or 2.2 below, shall be immediately removed from service (including nozzle(s) on both sides of dispenser) and a call for repair made immediately.
  - 2.1. The maximum allowable leak rate for the nozzle vapor path, as determined by TP-201.2B, shall not exceed the following:

0.038 cubic feet per hour (CFH) at a pressure of two inches water column (2.00" wc), and  
0.10 CFH at a vacuum of one hundred inches water column (-100.00" wc)
  - 2.2. Verification of the integrity of the vapor valve can be performed on installed nozzles using the nozzle bag test procedure in Exhibit 7.
3. Any nozzle that dispenses fuel with the miniboot in a free state condition, as determined by the quarterly inspection procedure, shall be removed from service until repaired or replaced.

### **Vapor Collection**

1. The V/L ratio of the system shall be **1.05 plus or minus 0.10 (0.95 to 1.15)**, measured at a flow rate between six and ten gallons per minute (6.0 – 10.0 gpm). *Any fueling point whose V/L ratio is determined to be at or below 0.80 shall be deemed defective and removed from service.* The V/L ratio shall be determined by using the test procedure in Exhibit 5 with the shut-off port excluded, or with an ARB approved alternate test procedure. See Section 7 of Exhibit 5 for guidance on V/L adjustment.
2. Inoperative vapor pumps, as determined by the **ARB Approved Installation, Operation and Maintenance Manual**, constitute a defect.
3. For unihose dispensers, any modifications or repairs to the nozzle, hanging hardware or vacuum pump done to bring one fuel grade V/L into compliance at a fueling point invalidates the results of any previous fuel grade(s) tested before the alteration. All fuel grades at that fueling point shall be tested again to verify compliance.

### **Inverted Coaxial Hoses**

1. The maximum length of the hose assembly, including hose adaptor, whip hose, breakaway, flow limiter (optional) and inverted coaxial hose, measured at the base of the nozzle, shall be no more than eighteen (18) feet.
2. Any hose configuration is allowed.

### **Breakaway Couplings**

1. Testing is required after reconnecting the breakaway to ensure proper operation and no observed leaks. The procedure for reconnecting breakaway and fueling point testing after a drive-off, referenced in Section 1.4 of Scheduled Maintenance, shall be conducted to verify that breakaway, hose and nozzle are operating properly after a drive-off.

### **Flow Limiters**

1. Flow limiter is mandatory when the flow rate is greater than 10.0 gallons per minute to comply with U.S. EPA requirement.



### **Clean Air Separator Pressure Management System**

1. The Clean Air Separator is a passive gasoline storage tank ullage pressure management system, with no electrical requirements. The Clean Air Separator vapor integrity shall be evaluated using the test procedure outlined in Exhibit 4 of this Executive Order.
  - a. The system shall be removed from service when the Clean Air Separator fails the leak decay test outlined in Exhibit 4.
  - b. Unless there is maintenance or testing being conducted on the Clean Air Separator, the system shall be removed from service when the four ball valves are not locked in the positions shown in **Figure 2-2** or **2-2H** for normal Clean Air Separator operation. Figure 2-2 applies to vertical Clean Air Separator installations and Figure 2-2H applies to horizontal Clean Air Separator installations.
2. The Clean Air Separator shall be installed within 100 feet from the vent line(s), and the associated piping shall be sloped 1/8" per foot minimum toward the vent line(s).

### **Pressure/Vacuum Vent Valves for Gasoline Storage Tank Vents**

1. All P/V vent valves shall be an ARB-certified P/V vent valve for a Phase I system.
2. At least one pressure/vacuum (P/V) vent valve shall be installed on each gasoline storage tank vent. The maximum number of P/V vent valves allowed and P/V vent valve performance specifications are listed in the applicable Phase I EVR Executive Order. Vent lines may be manifold to minimize the number of P/V vent valves and potential leak sources, provided the manifold conforms to all applicable fire regulations. At least one P/V vent valve shall be installed on vents if a manifold is incorporated. **Figure 2-3** or **2-3H** shows a typical manifold configuration for a single P/V vent valve with the Clean Air Separator. If two or more P/V vent valves are desired, they shall be installed in parallel, so that each can serve as a backup to the other if one should fail to open properly. **Figure 2-4** or **2-4H** shows a typical manifold configuration for two P/V vent valves installed in parallel with the Clean Air Separator. **Figure 2-5** or **2-5H** shows a typical manifold configuration for three P/V vent valves installed in parallel with the Clean Air Separator. **Figure 2-6** or **2-6H** shows a typical configuration for a P/V vent valve mounted on a single 3" vent line with the Clean Air Separator. Figures 2-3, 2-4, 2-5 and 2-6 apply to vertical Clean Air Separator installations. Figures 2-3H, 2-4H, 2-5H and 2-6H apply to horizontal Clean Air Separator installations.

### **Warranty**

1. Each manufacturer listed in Exhibit 1 shall include a warranty tag with the certified component(s). The manufacturer warranty tag, included with each component, shall be provided to the service station owner/operator at the time of installation.

## Vapor Recovery Piping Configurations

**NOTE:** Vapor Return Piping shall meet the requirements specified in section 4.11 of CP-201.

### 1. Vapor Return and Vent Lines

- a. For facilities installed on or after April 1, 2003, all vapor return and vent lines shall be a minimum nominal internal diameter of 2 inches from the dispensers or the vent stacks to the first manifold. All lines after the first manifold and back to the underground storage tank shall have a minimum nominal internal diameter of 3 inches.

**Note:** Facilities permitted by a local district prior to April 1, 2003 shall be required to meet the three inch diameter standard only upon facility modification requiring exposing at least 50 percent of the underground vapor return piping.

After backfilling the vapor return and vent lines, the maximum pressure drop shall not exceed 0.5 inches WC at 60 cubic feet per hour as determined by TP-201.4, Dynamic Backpressure. The pressure drop shall be measured from the dispenser riser to the UST with pressure/vacuum vent valves installed and with the popped Phase I vapor connection open.

- b. For existing installations, the maximum pressure drop through the system shall not exceed 0.5 inches WC at 60 cubic feet per hour as determined by TP-201.4, Dynamic Backpressure. The pressure drop shall be measured from the dispenser riser to the UST with the pressure/vacuum vent valves installed and with the popped Phase I vapor connection open.

**Note:** The V/L test from Exhibit 5 may be used to verify proper operation of the system, in lieu of measuring the pressure drop through the lines, provided that at least two gallons of product are introduced into the system through each dispenser riser, prior to the test.

2. All vapor return lines shall have a minimum slope of 1/8 inch per foot from the dispenser riser to the riser of the underground storage tank (UST). A slope of 1/4 inch or more per foot is recommended wherever feasible. The vapor return path from any dispenser riser to the UST shall be free of liquid or fixed blockage.

**Exception:** When it is not possible to achieve the necessary minimum slope from the dispenser back to the underground storage tanks, a low point Liquid Condensate Trap (i.e. knock out pot, thief port) can be utilized as long as the conditions under **Liquid Condensate Traps** in this Exhibit 2 are met.

3. The dispenser shall be connected to the riser with either flexible or rigid material that is listed for use with gasoline. The dispenser-to-riser connection shall be installed so that any liquid in the lines will drain toward the gasoline storage tank. The internal diameter of the connector, including all fittings, shall not be less than one-half inch (1/2").

**Note:** The dispenser-to-riser connection is defined as the piping connection between the outlet of the vacuum pump and the inlet of the dispenser riser. A vapor shear valve may also be part of the riser connection.

4. There is no length restriction for the vapor return piping of the system as long as the system complies with the maximum pressure drop requirement of Item 1 (or the V/L option).
5. No product shall be dispensed from any fueling point at a GDF installed with the Assist Phase II EVR System if there is a vapor line that is disconnected and open to the atmosphere.

### **Dispenser Vapor Piping**

1. Any dispenser with a dispenser piping test valve in the closed position shall be considered a defect.
2. The ball valve shall be installed between the test port and the vacuum pump. The ball valve and test port shall be located on the inlet side of the vacuum pump.

### **Liquid Condensate Traps**

1. There shall be no vapor leaks when tested in accordance with the latest version of TP 201.3, **Determination of 2 Inch WC Static Pressure Performance of Vapor Recovery Systems of Dispensing Facilities**.
2. The Liquid Level Sensor shall alarm within five (5) minutes when tested in accordance with Exhibit 9, **Liquid Condensate Trap Compliance Test**.
3. The Liquid Level Sensor audible alarm shall be installed at a location that is most likely to be heard by the station attendant during normal station operation (e.g. cash register).
4. The Liquid Evacuation System shall automatically evacuate gasoline when tested in accordance with Exhibit 9, **Liquid Condensate Trap Compliance Test**.
5. A metal tag specifying the capacity of the Liquid Condensate Trap shall be installed and maintained as specified in the Installation, Operation, and Maintenance Manual.

### **Maintenance Tracker Kit for Veeder Root TLS Console (Optional)**

1. Veeder-Root 330020-546  
Consists of the following:
  - Maintenance Tracker Technician Key  
(Figure 2-7)
  - Interface Module RS232/485 Dual Module with DB9 Converter or Single Port Module with DB-25 converter  
(Figure 2-8)
  - Manual

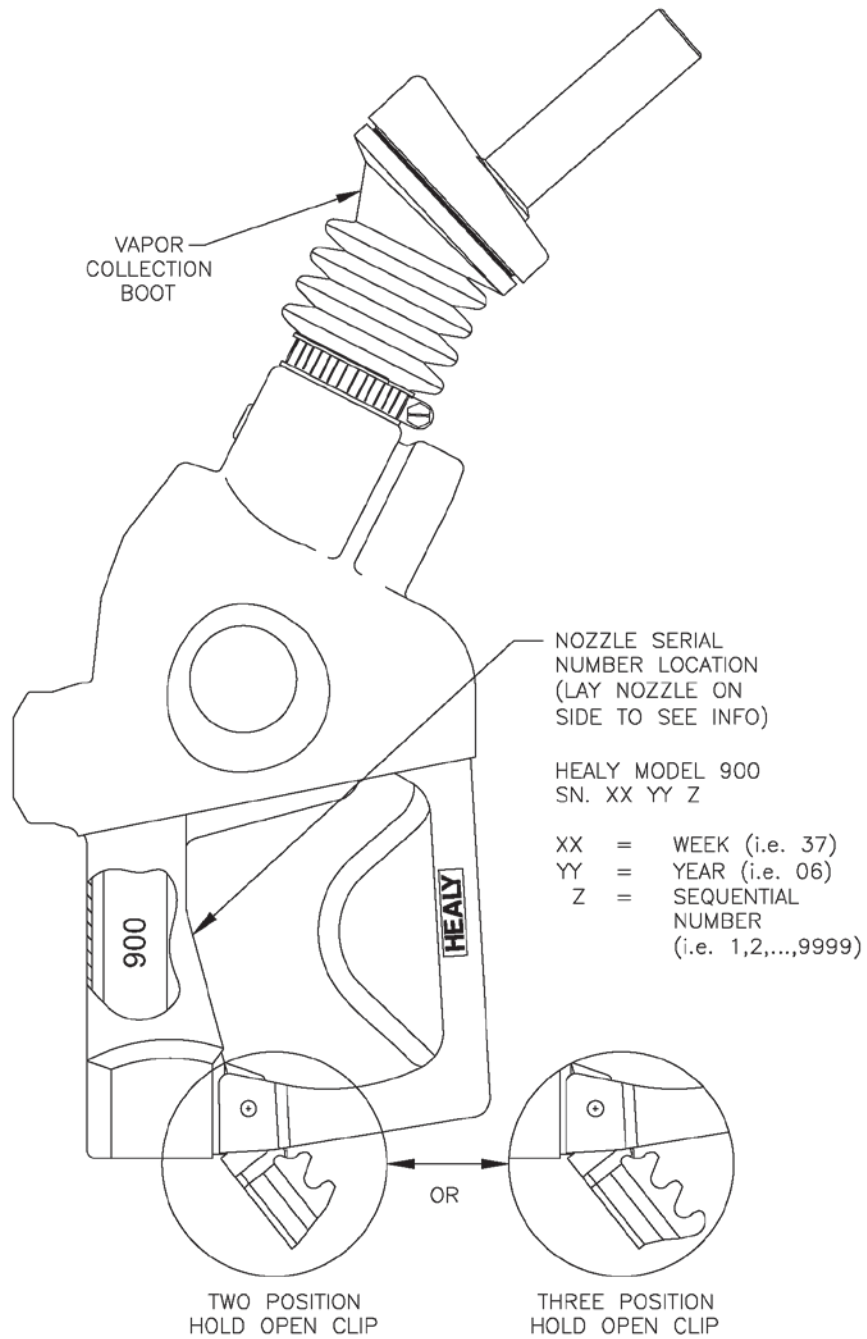
### **Phase I System**

1. The Phase I system shall be an ARB-certified system that demonstrates compliance with the static pressure decay test criteria contained in the latest version of TP-201.3.

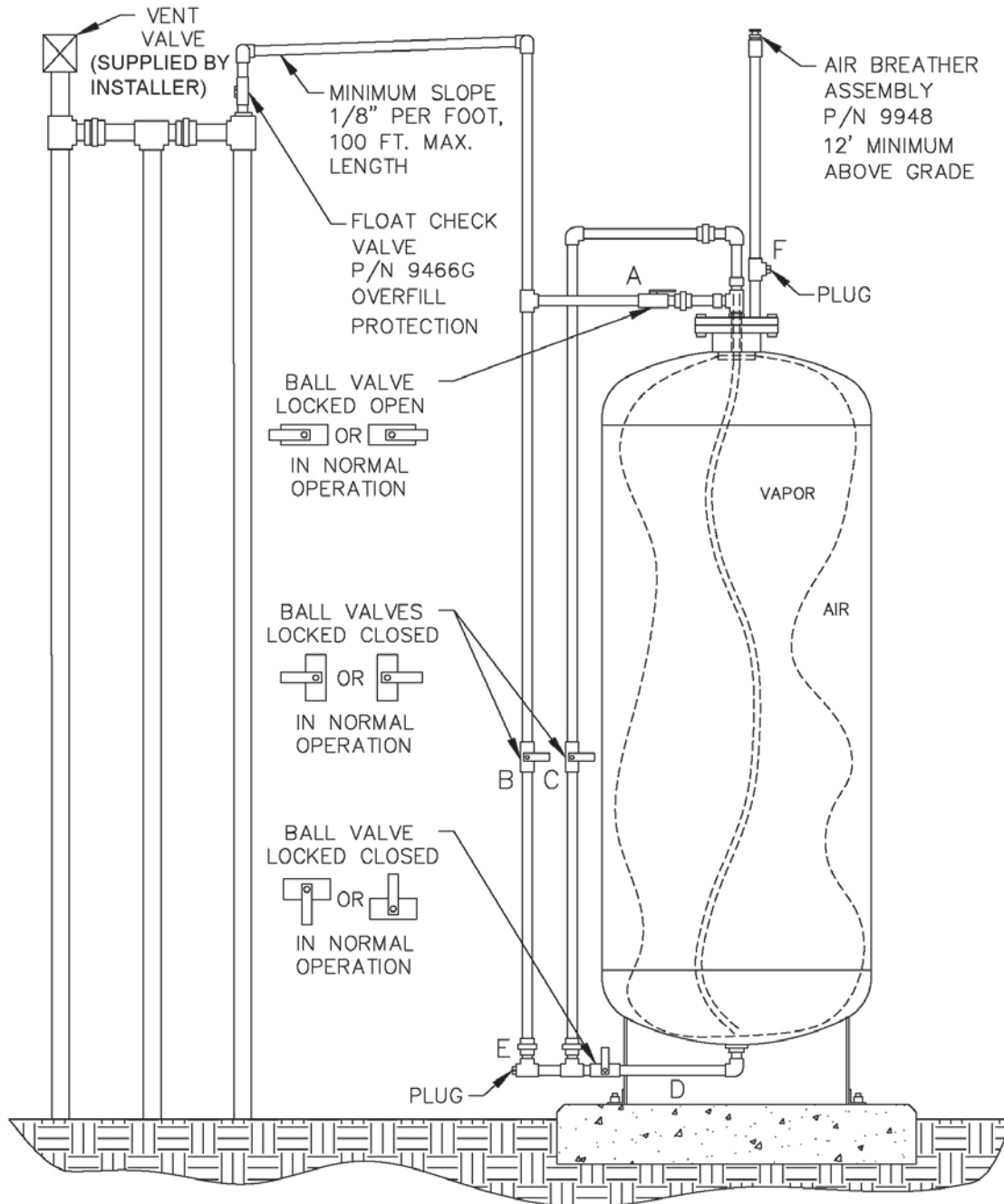
### **Maintenance Records**

1. Each GDF operator/owner shall keep records of maintenance performed at the facility. Such records shall be maintained on site in accordance with district requirements or policies. The records shall include the maintenance or test date, repair date to correct test failure, maintenance or test performed, affiliation, telephone number, name and Certified Technician Identification Number of individual conducting maintenance or test. Additional information may be required in accordance with local district requirements. An example of a GDF Maintenance Record is shown in **Figure 2-9**.
2. Maintenance shall be conducted in accordance with Scheduled Maintenance section of the ***ARB Approved Installation, Operation, and Maintenance Manual***.
3. Reconnection of breakaways shall be included in the maintenance records.

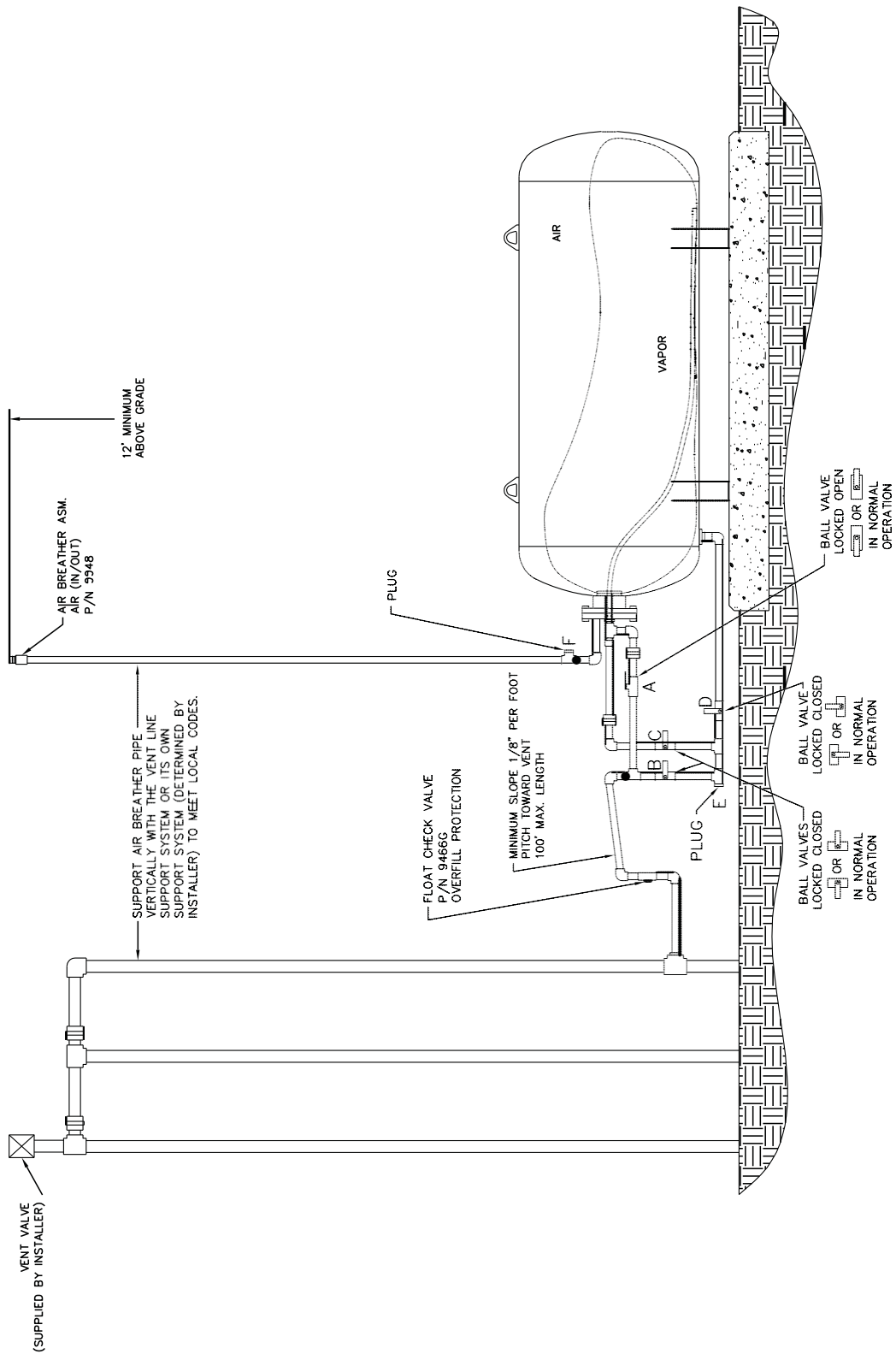
**FIGURE 2-1**  
**Vapor Boot for Healy 900 Nozzle**



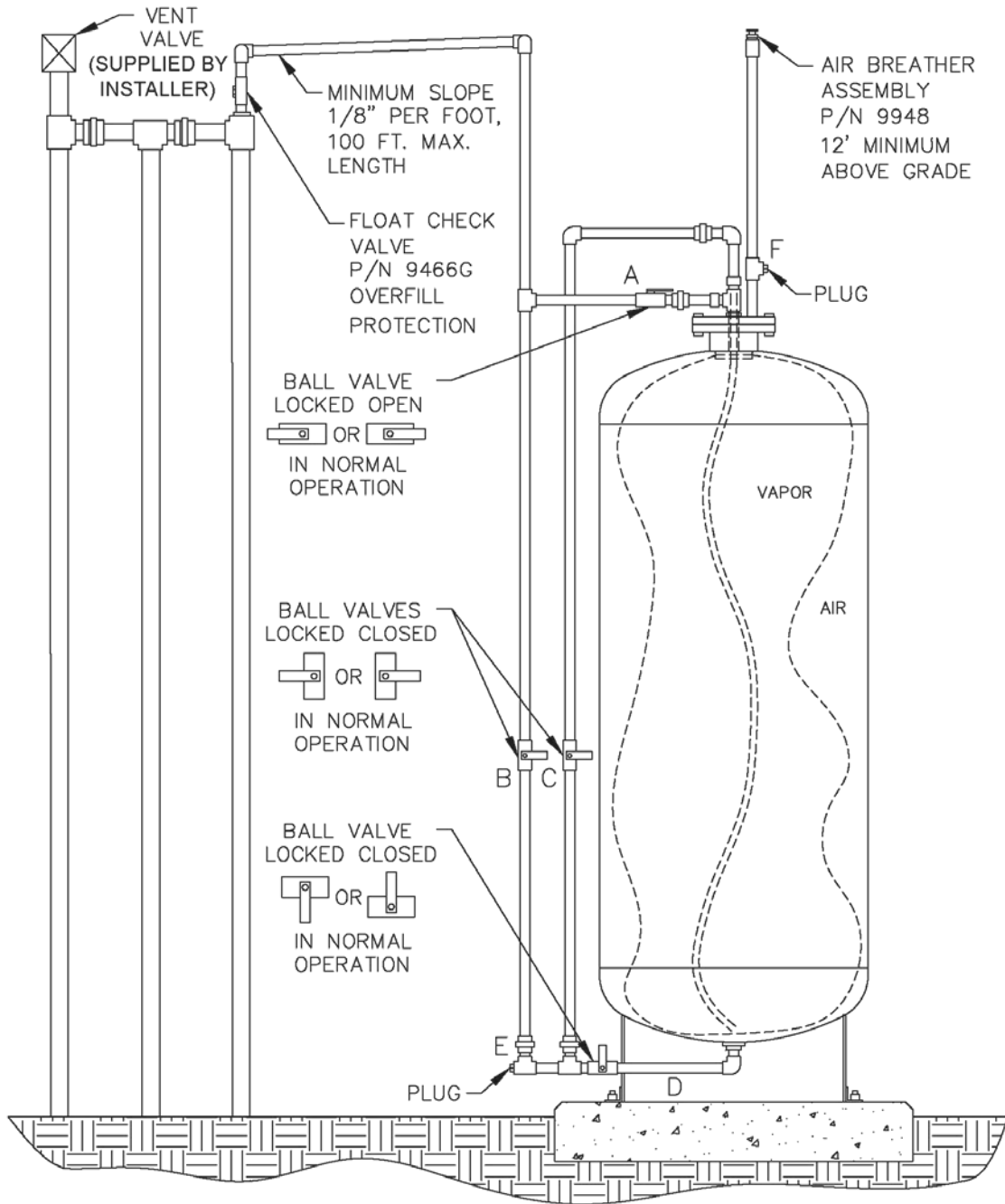
**FIGURE 2-2**  
**Clean Air Separator Normal Operation Configuration**



**FIGURE 2-2H**  
**Clean Air Separator Normal Operation Configuration**

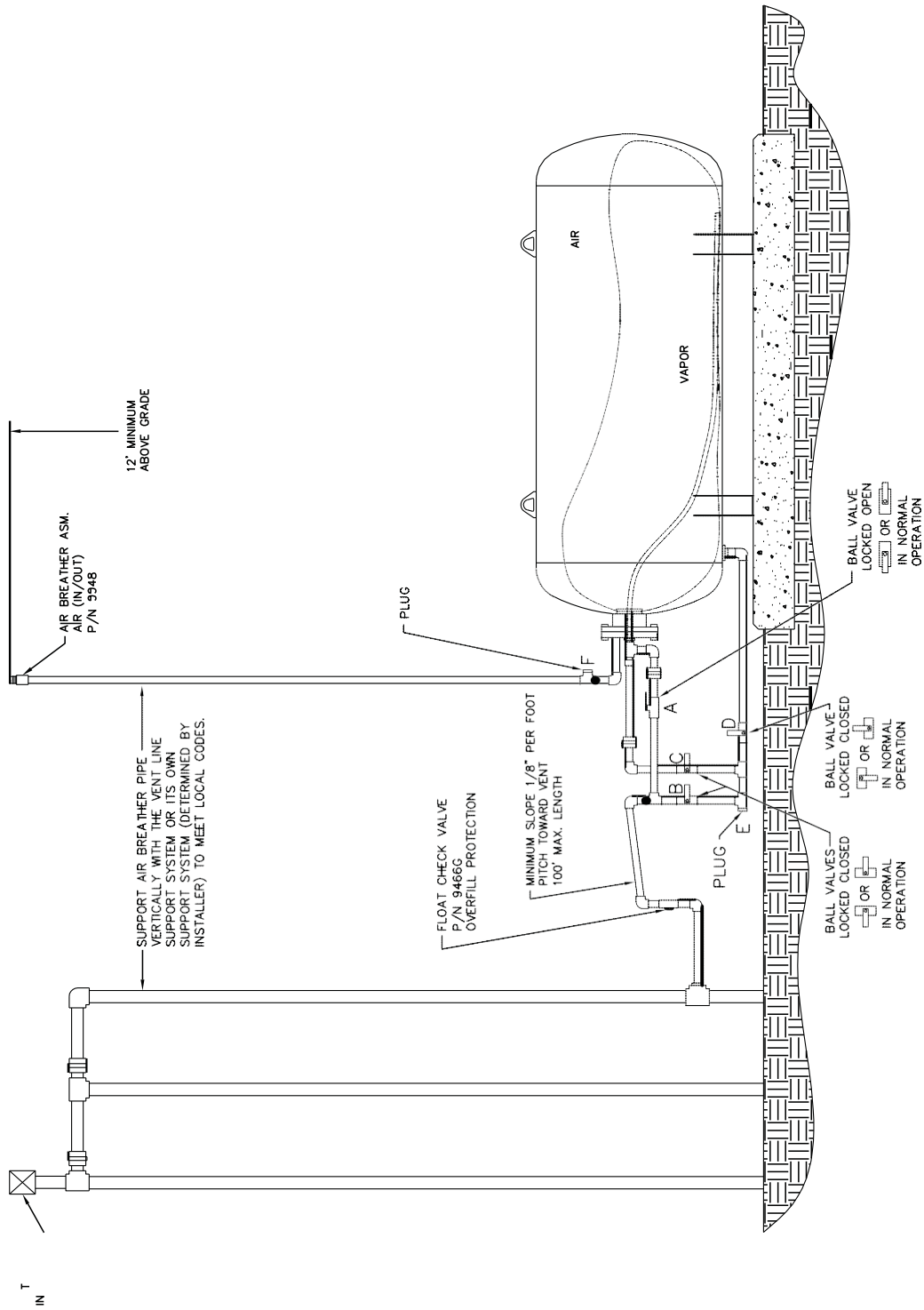


**FIGURE 2-3**  
**Typical Installation of a Single P/V Vent Valve Manifold**  
**with Healy Clean Air Separator**

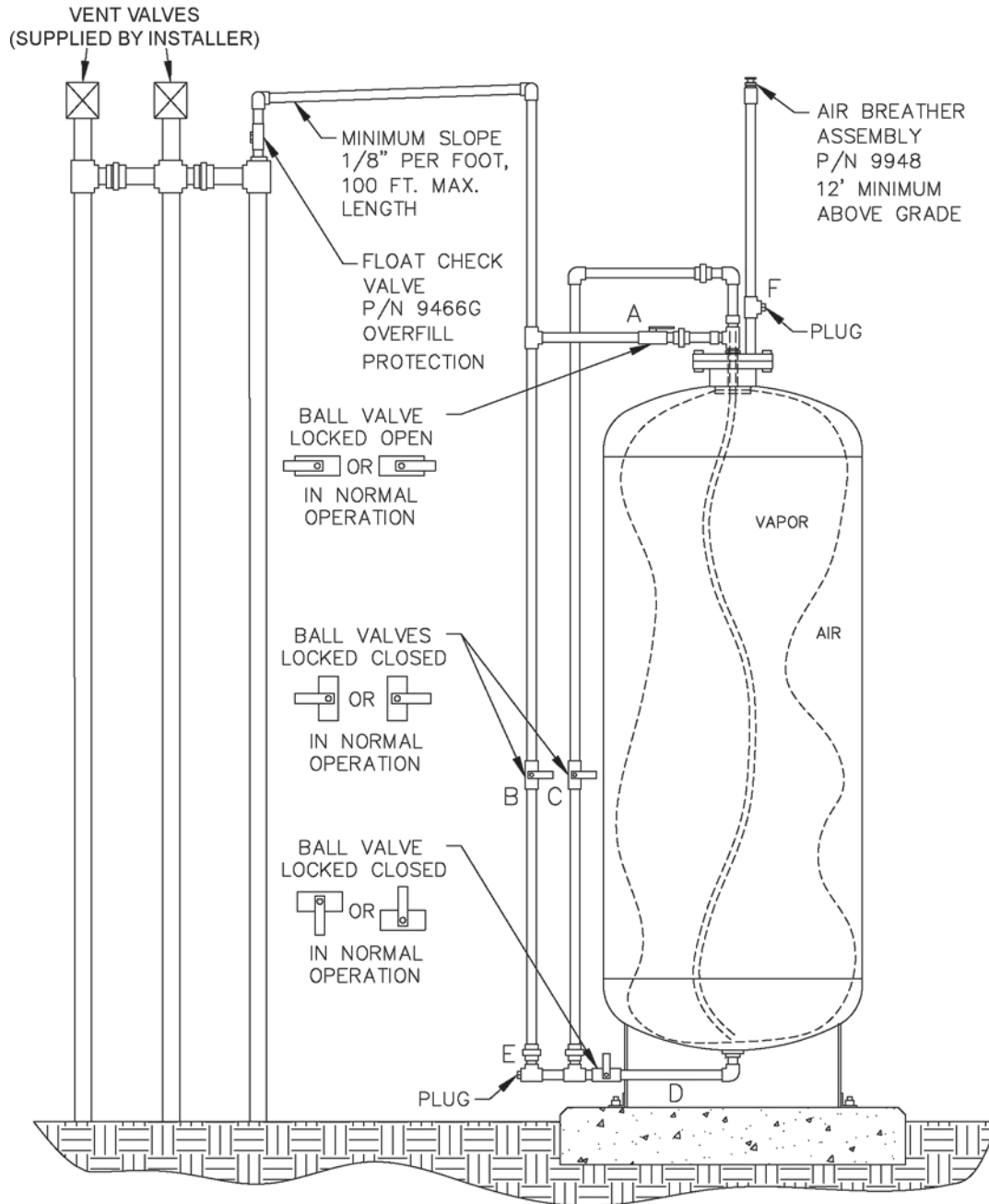




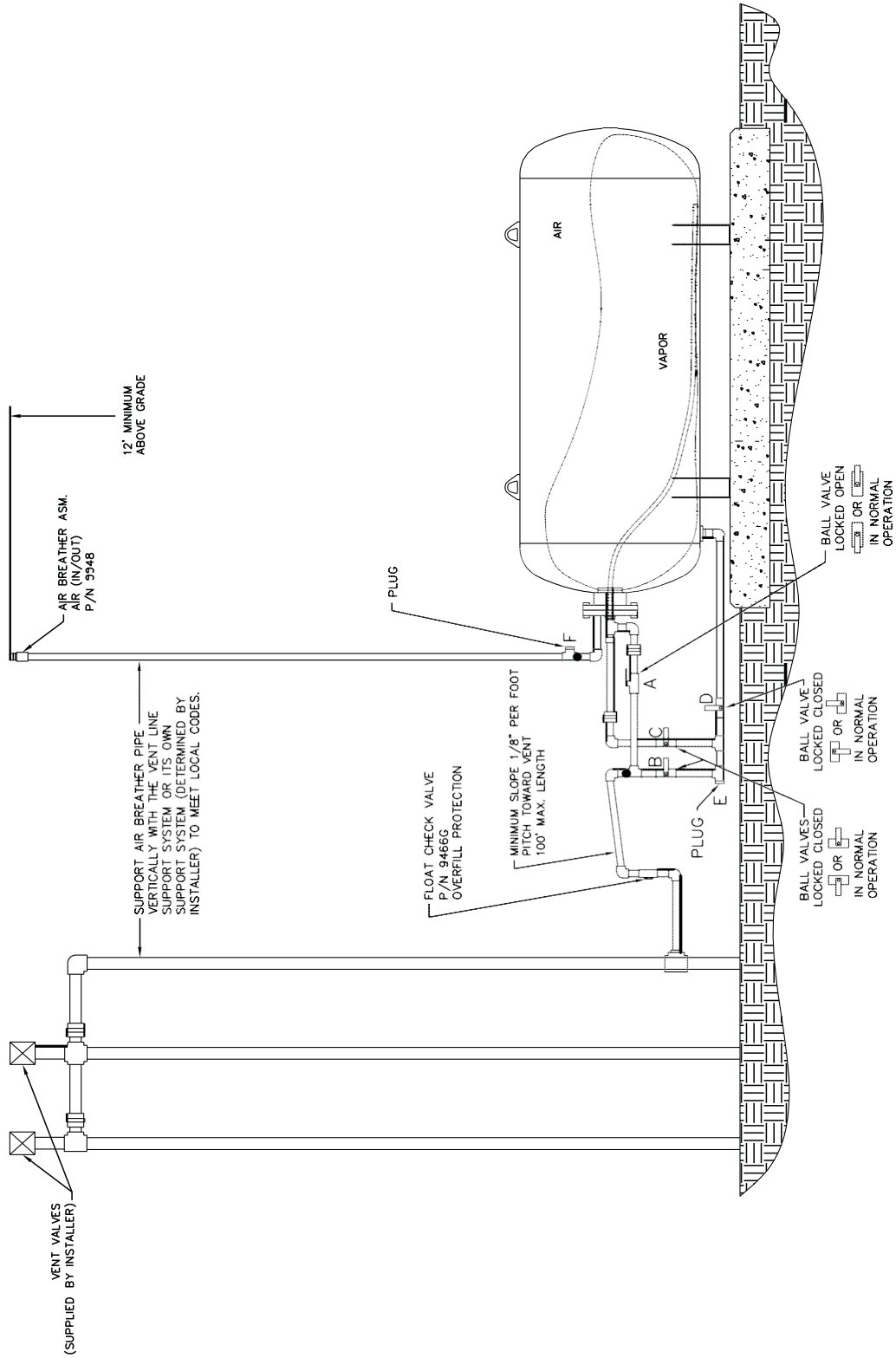
**FIGURE 2-3H**  
**Typical Installation of a Single P/V Vent Valve Manifold with Healy Clean Air Separator**



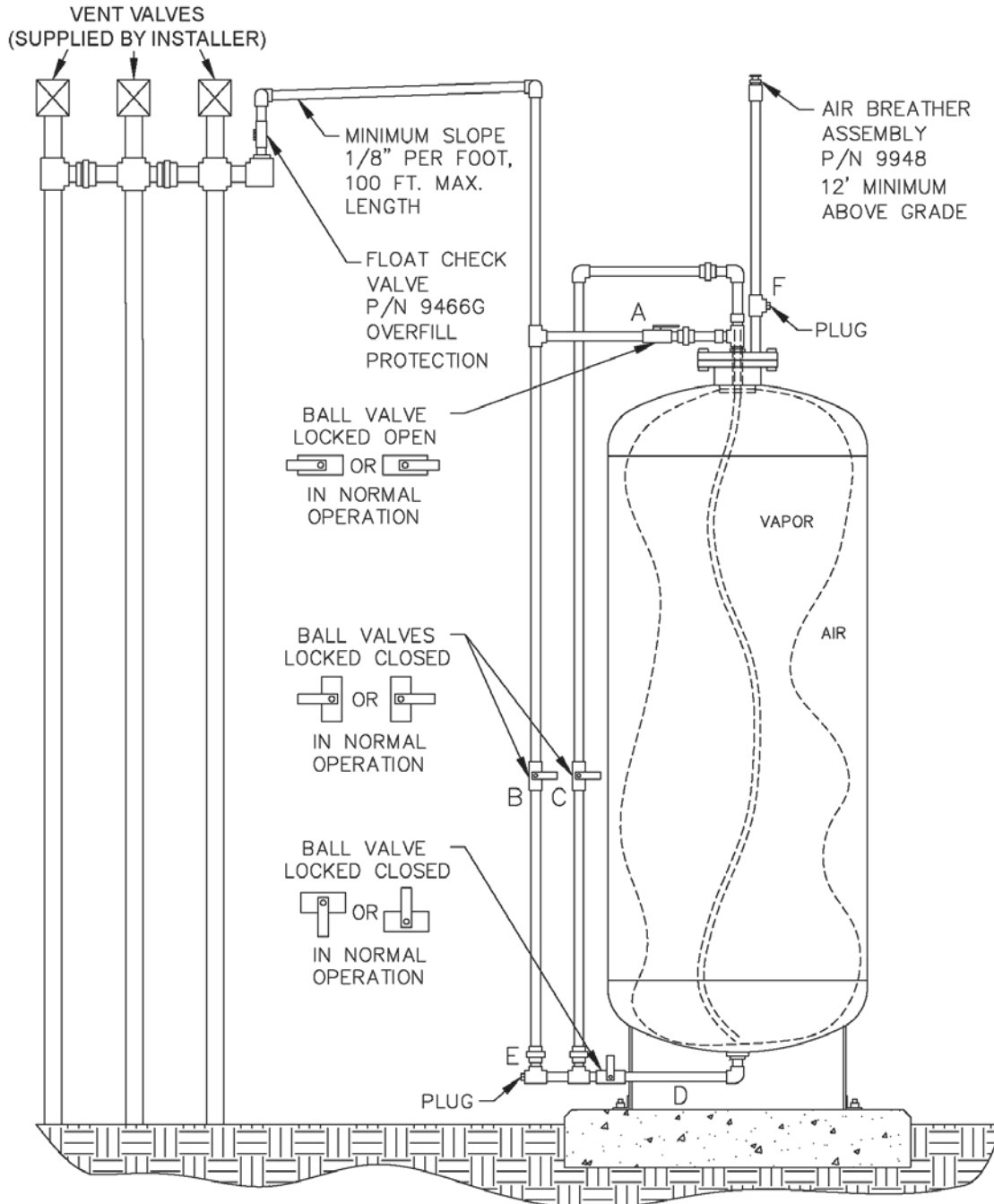
**FIGURE 2-4**  
**Typical Installation of a Two P/V Vent Valve Parallel Manifold with Healy Clean Air Separator**



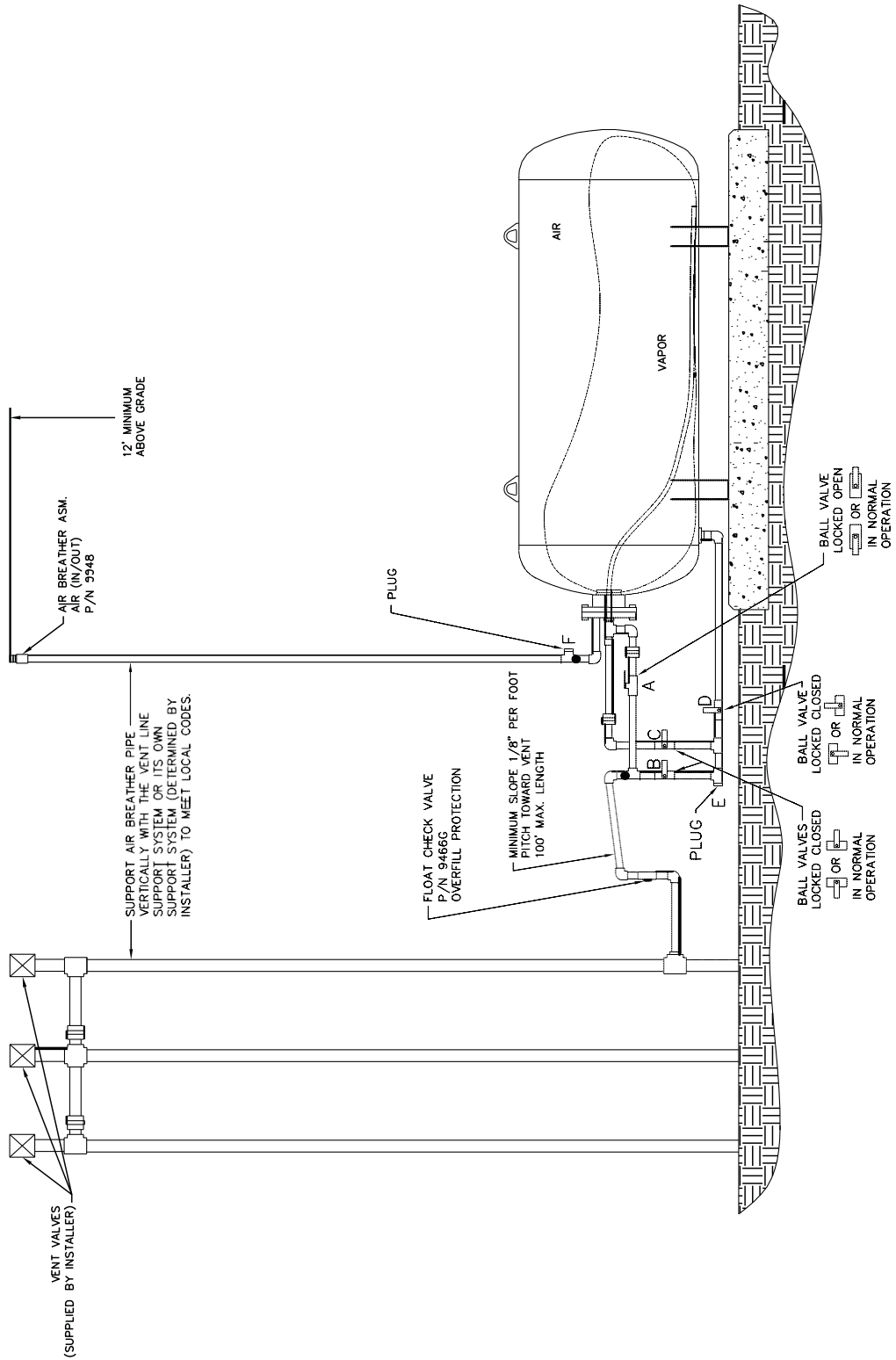
**FIGURE 2-4H**  
**Typical Installation of a Two P/V Vent Valve Parallel Manifold with Healy Clean Air Separator**



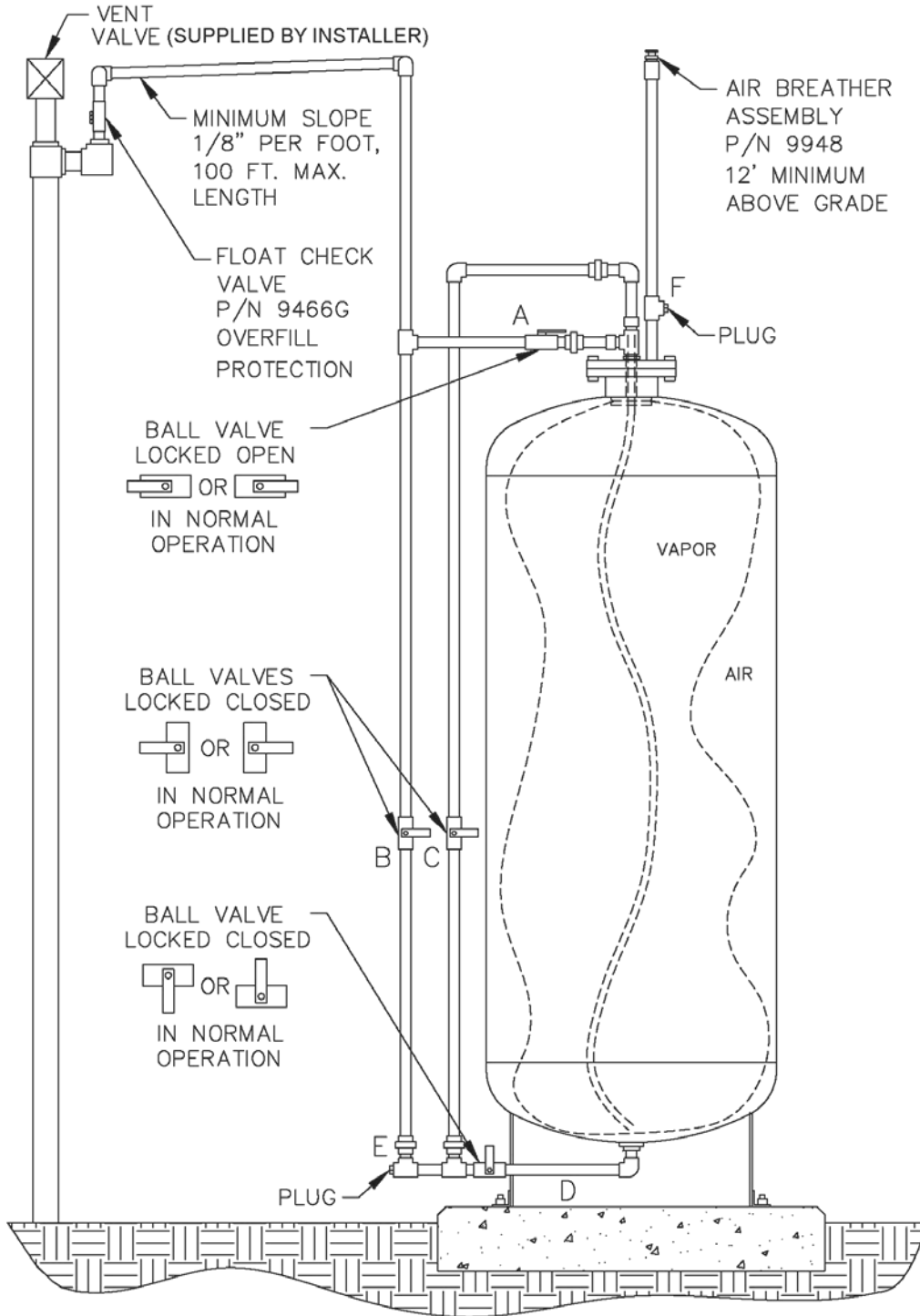
**FIGURE 2-5**  
**Typical Installation of a Three P/V Vent Valve Parallel Manifold**  
**with Healy Clean Air Separator**



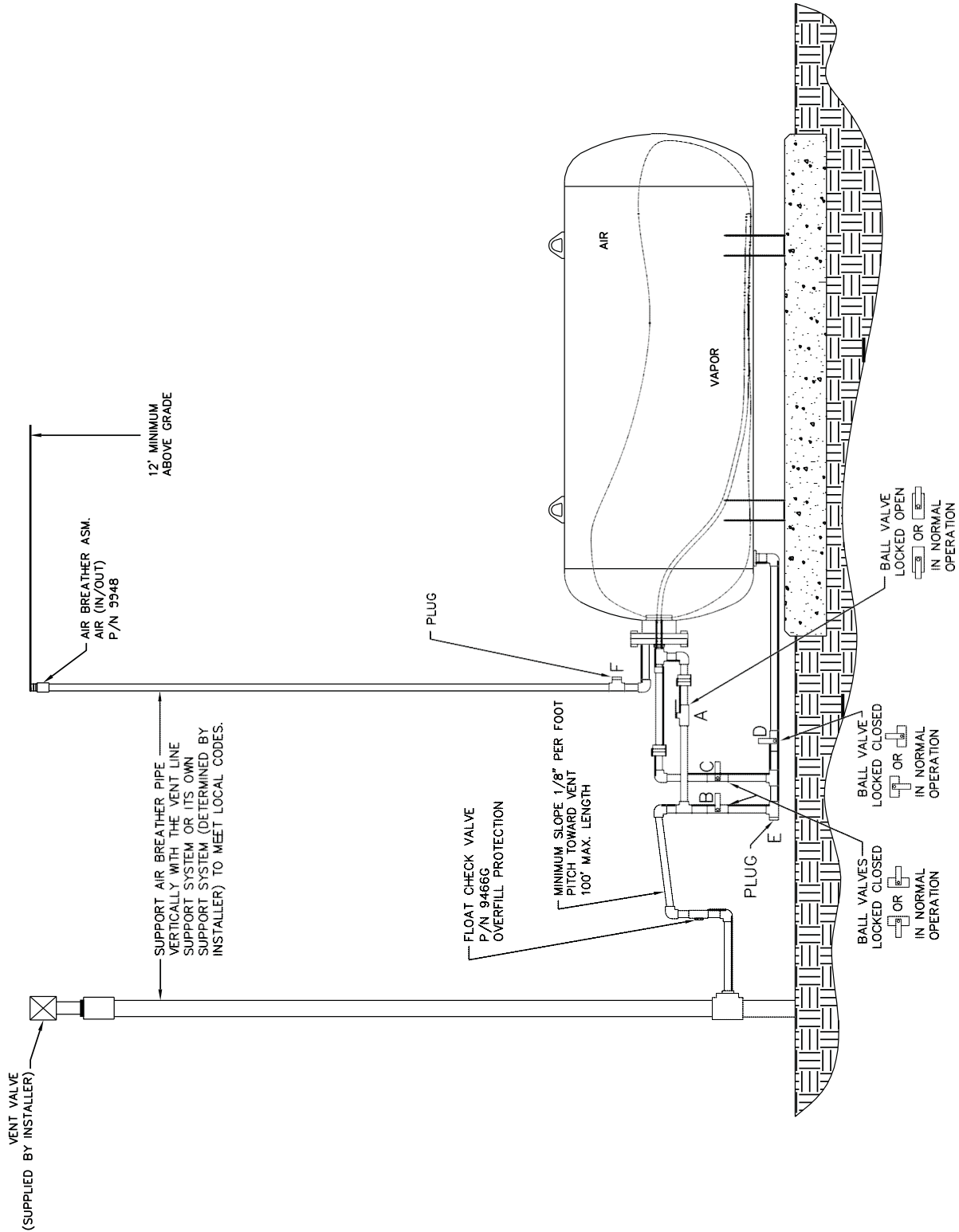
**FIGURE 2-5H**  
**Typical Installation of a Three P/V Vent Valve Parallel Manifold**  
**with Healy Clean Air Separator**



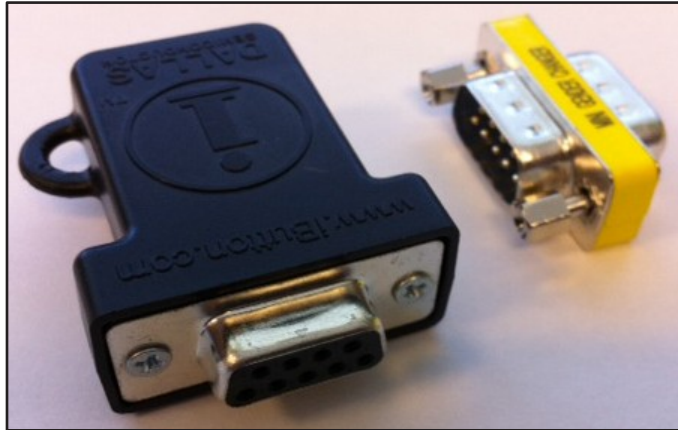
**FIGURE 2-6**  
**Typical Configuration of a P/V Vent Valve Mounted on a**  
**Single 3" Vent Line with the Clean Air Separator**



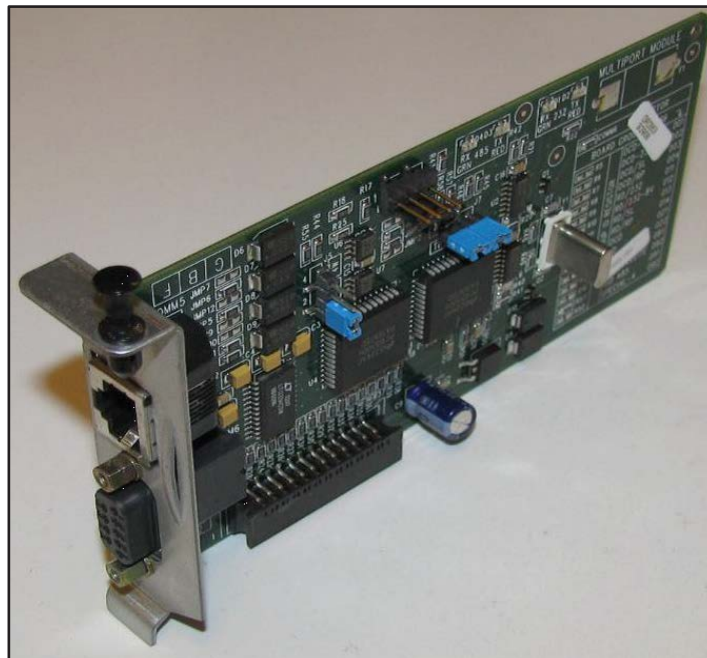
**FIGURE 2-6H**  
**Typical Configuration of a P/V Vent Valve Mounted on a**  
**Single 3" Vent Line with the Clean Air Separator**



**FIGURE 2-7**  
**Maintenance Tracker Technician Key**



**FIGURE 2-8**  
**Interface Module RS232/485**  
**Dual Module with DB9 Converter or**  
**Single Port Module with DB-25 converter**







**Executive Order VR-201-X  
Assist Phase II EVR System  
Not Including ISD**

**Exhibit 3  
MANUFACTURING PERFORMANCE STANDARDS AND SPECIFICATIONS**

The Assist Phase II EVR System and all components shall be manufactured in compliance with the performance standards and specifications in CP-201 (amended January 9, 2013), as well as the requirements specified in this Executive Order. All components (Exhibit 1) shall be manufactured as certified; no change to the equipment, parts, design, materials or manufacturing process shall be made unless approved in writing by the Executive Officer or Executive Officer delegate. Unless specified in Exhibit 2 or in the ***ARB Approved Installation, Operation and Maintenance Manual***, the requirements of this section apply to the manufacturing process and are not appropriate for determining the compliance status of a gasoline dispensing facility.

**1. NOZZLES**

Every nozzle shall be tested at the factory. Every nozzle shall have affixed to it a card or label stating the performance specifications listed below, and a statement that the nozzle was tested to, and met, the following specifications.

- a. The nozzle vapor valve leak rate shall not exceed 0.038 cubic feet per hour (CFH) at a pressure of +2 inches H<sub>2</sub>O when tested in accordance with the latest version of TP-201.2B.
- b. The nozzle vapor valve leak rate shall not exceed 0.10 CFH at a vacuum of -100 inches H<sub>2</sub>O when tested in accordance with the latest version of TP-201.2B.
- c. The nozzle automatic shut off feature is tested at all service clip settings (either two or three) as well as handheld in accordance with Underwriters Laboratories (UL) Standard 842.
- d. The nozzle is tested in accordance with the California Department of Food and Agriculture Division of Measurement Standards Article 2 (DMS 6-6-97).
- e. The nozzle is manufactured to specifications that passed the following tests during the ARB certification evaluation:
  - TP-201.2C - Spillage from Phase II Systems
  - TP-201.2D - Post Fueling Drips From Nozzles
  - TP-201.2E - Gasoline Liquid Retention in Nozzles and Hoses
- f. The nozzle is manufactured to meet the Vapor to Liquid Ratio as specified in Exhibit 2.

- g. The terminal end of each nozzle shall be manufactured in accordance with the specifications referenced in Section 4.7.3 of CP-201.

## 2. **INVERTED COAXIAL HOSES**

Every inverted coaxial hose is tested for continuity and pressure tests in accordance with UL Standard 330.

## 3. **HOSE ADAPTORS**

Every hose adaptor is tested for continuity and pressure tests in accordance with UL Standard 567.

## 4. **RECONNECTABLE BREAKAWAY COUPLINGS**

Every reconnectable breakaway coupling is tested for continuity and pressure tests in accordance with UL Standard 567.

## 5. **FLOW LIMITERS**

Every flow limiter is tested to 50 pounds per square inch (psi) liquid pressure to verify maximum gasoline flow rate limited to 10.0 gpm.

## 6. **VP1000 VACUUM PUMPS**

- a. Every vacuum pump is pressure tested in accordance with UL Standard 79.
- b. Every vacuum pump is manufactured to the exact specifications that passed all tests conducted during the ARB certification.
- c. Every MC100 control module is tested in the factory to verify proper operation.

## 7. **TANK PRESSURE MANAGEMENT SYSTEM**

- a. The Clean Air Separator tank is designed, constructed, tested, inspected and stamped per the American Society of Mechanical Engineers (ASME) Code Section VIII, Division 1, 2001 Edition, 2003 Addendum.
- b. Every Clean Air Separator bladder is performance and pressure tested using the **Clean Air Separator Performance Test** to ensure its integrity.

**Executive Order VR-201-X and VR-202-X  
Assist Phase II EVR System**

**Exhibit 4  
DETERMINATION OF STATIC PRESSURE PERFORMANCE  
OF THE CLEAN AIR SEPARATOR**

**1 APPLICABILITY**

Definitions common to all certification and test procedures are in:

**D-200 Definitions for Vapor Recovery Procedures**

For the purpose of this procedure, the term “ARB” refers to the California Air Resources Board, and the term “Executive Officer” refers to the Executive Officer of the ARB or his or her authorized representative or designate.

- 1.1 This test procedure is used to quantify the vapor tightness of the Healy Clean Air Separator (CAS) pressure management system installed as part of a gasoline dispensing facility (GDF) under either Executive Order VR-201 or VR-202.

**2 PRINCIPLE AND SUMMARY OF TEST PROCEDURE**

- 2.1 The Clean Air Separator, while isolated from the vapor recovery system, is evaluated for vapor integrity using a vacuum decay procedure. The vacuum decay after 5 minutes is compared with an allowable value. The allowable value is based upon the initial vacuum level when conducting the test using the table provided in this test procedure.
- 2.2 A positive pressure decay procedure is included that conducts the same evaluation as the vacuum decay but with positive pressure. This test is conducted if there is insufficient vacuum (not greater than – 2.00” wc) to conduct the vacuum decay. Districts have the authority to specify in the permit conditions that this positive pressure test is to be conducted even if the vacuum test has been conducted.

**3 RANGE**

- 3.1 The full-scale range of the electronic measuring device shall not exceed 0-20.00” wc with a minimum accuracy of not less than 0.25 percent of full-scale.

## 4 INTERFERENCES

- 4.1 Leaks in the piping for the Clean Air Separator could bias the test results toward non-compliance.
- 4.2 Introduction of gaseous nitrogen into the system at flow rates exceeding 4 CFM (240 CFH) may bias the results of the test toward non-compliance. Only gaseous nitrogen shall be used to conduct this test.
- 4.3 Pressurizing the Clean Air Separator bladder greater than 14.00" wc could damage the bladder, biasing the test toward non-compliance.
- 4.4 Thermal Bias for Electronic Manometers

Electronic manometers shall have a warm-up period of at least 15 minutes followed by a drift check of 5 minutes. If the drift exceeds 0.01" wc, the instrument should not be used.

## 5 APPARATUS

### 5.1 Nitrogen

Use commercial grade gaseous nitrogen in a high pressure cylinder, equipped with a two-stage pressure regulator.

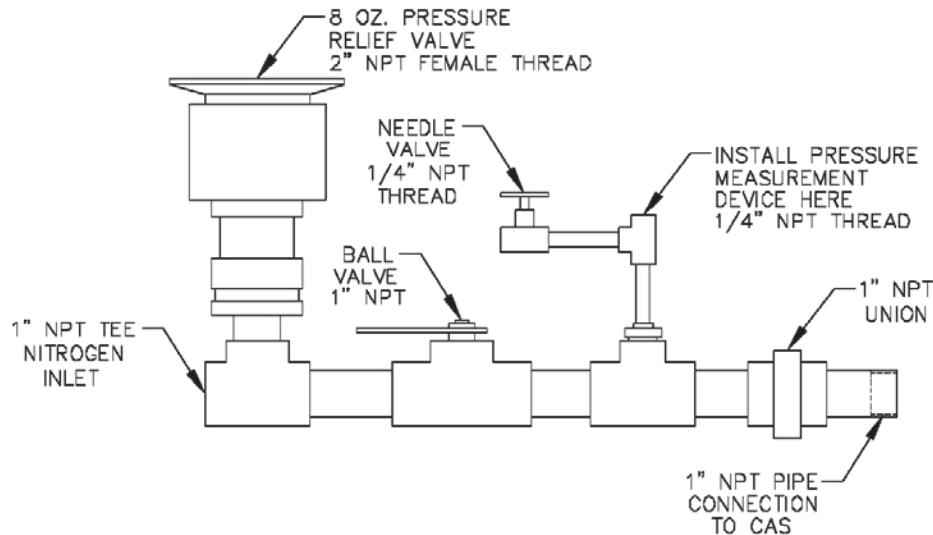
### 5.2 Pressure Measurement Device

Use an electronic pressure measurement device to monitor the pressure decay in the Clean Air Separator. The pressure measurement device shall, at a minimum, be readable to the nearest 0.01" wc.

### 5.3 Test Port Assembly

Use a test port assembly constructed similar to the one in Figure 4-1. The assembly should have an 8 oz. Pressure Relief valve, to ensure that the Clean Air Separator is not over pressurized. The Model 9968 Clean Air Separator Test Port Assembly can be purchased from Healy Systems, Inc.

**FIGURE 4-1**  
**Clean Air Separator Test Port Assembly**



#### 5.4 Stopwatch

Use a stopwatch accurate to within 0.2 seconds.

#### 5.5 Flow Meter

Use a flow meter to determine the required pressure setting of the delivery pressure gauge on the nitrogen supply pressure regulator. This pressure shall be set such that the nitrogen flow rate is between 2.0 CFM (120 CFH) and 4.0 CFM (240 CFH).

#### 5.6 Leak Detection Solution

Any liquid solution designed to detect vapor leaks may be used to verify the pressure integrity of the test equipment prior to conducting the test.

#### 5.7 Condensate Collection Vessel

A container approved for use with gasoline that can hold at least a half gallon of material.

#### 5.8 Graduated Cylinder

A graduated cylinder suitable for use with gasoline capable of measuring to the nearest ounce or mL.

## 6 PRE-TEST PROCEDURES

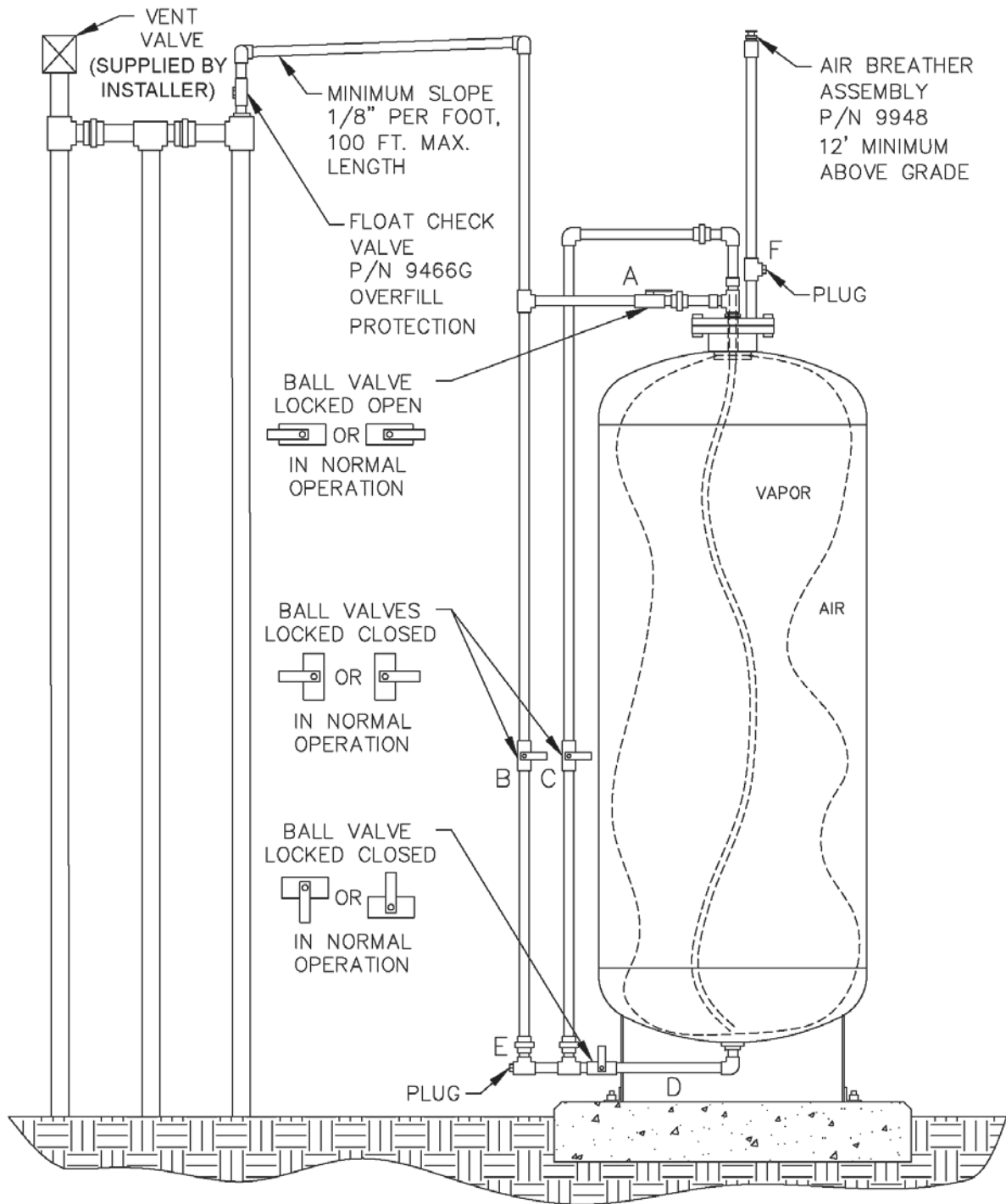
- 6.1 The following safety precautions shall be followed:
  - 6.1.1 Only gaseous nitrogen shall be used to pressurize the system.
  - 6.1.2 An 8 oz. pressure relieve valve shall be installed on the Test Port Assembly to prevent the possible over-pressurizing of the Clean Air Separator.
  - 6.1.3 A ground strap should be employed during the introduction of nitrogen into the system.
- 6.2 There shall be no Phase I bulk product deliveries into or out of the gasoline storage tank(s) within the three (3) hours prior to the test or during the performance of this test procedure.
- 6.3 All pressure measuring device(s) shall be bench calibrated using a reference standard. Calibration shall be performed at 20, 50, and 80 percent of full scale. Accuracy shall be within two percent at each of these calibration points. Calibrations shall be conducted on a frequency not to exceed 180 days. Calibration documentation shall be maintained with the equipment at all times.
- 6.4 Use the flow meter to determine the nitrogen regulator delivery pressures that correspond to nitrogen flow rates of 2.0 CFM (120 CFH) and 4.0 CFM (240 CFH). These pressures define the allowable range of delivery pressures acceptable for this test procedure. The flow meter shall be connected in-line between the nitrogen supply regulator and the Test Port Assembly during pressurization. The flow meter may be connected in-line between the nitrogen supply regulator and the Test Port Assembly during the test.
- 6.5 The electronic pressure measurement device shall be subject to warm-up and drift check before use; see Section 4.5.
- 6.6 The four ball valves used in the installation of the Clean Air Separator are lockable and shall be locked in the position shown in Figure 2-2 or Figure 2-2H of Exhibit 2 and in Figure 4-1 or Figure 4-1H of this Exhibit during normal operation. Figure 4-1 and Figure 4-2 apply to vertical Clean Air Separator installations and Figure 4-1H and Figure 4-2H apply to horizontal Clean Air Separator installations. The four padlocks provided by Healy Systems, Inc. in their installation kit are keyed the same. However, it is possible that one or more of the padlocks on the Clean Air Separator could have been replaced (seizing, damage, broken key, etc.). Conducting this test will require a set of keys necessary to unlock all padlocks.

- 6.7 Verify that the Clean Air Separator is in its normal operating configuration by confirming that all components are as indicated (See Figure 4-1 or Figure 4-1H):

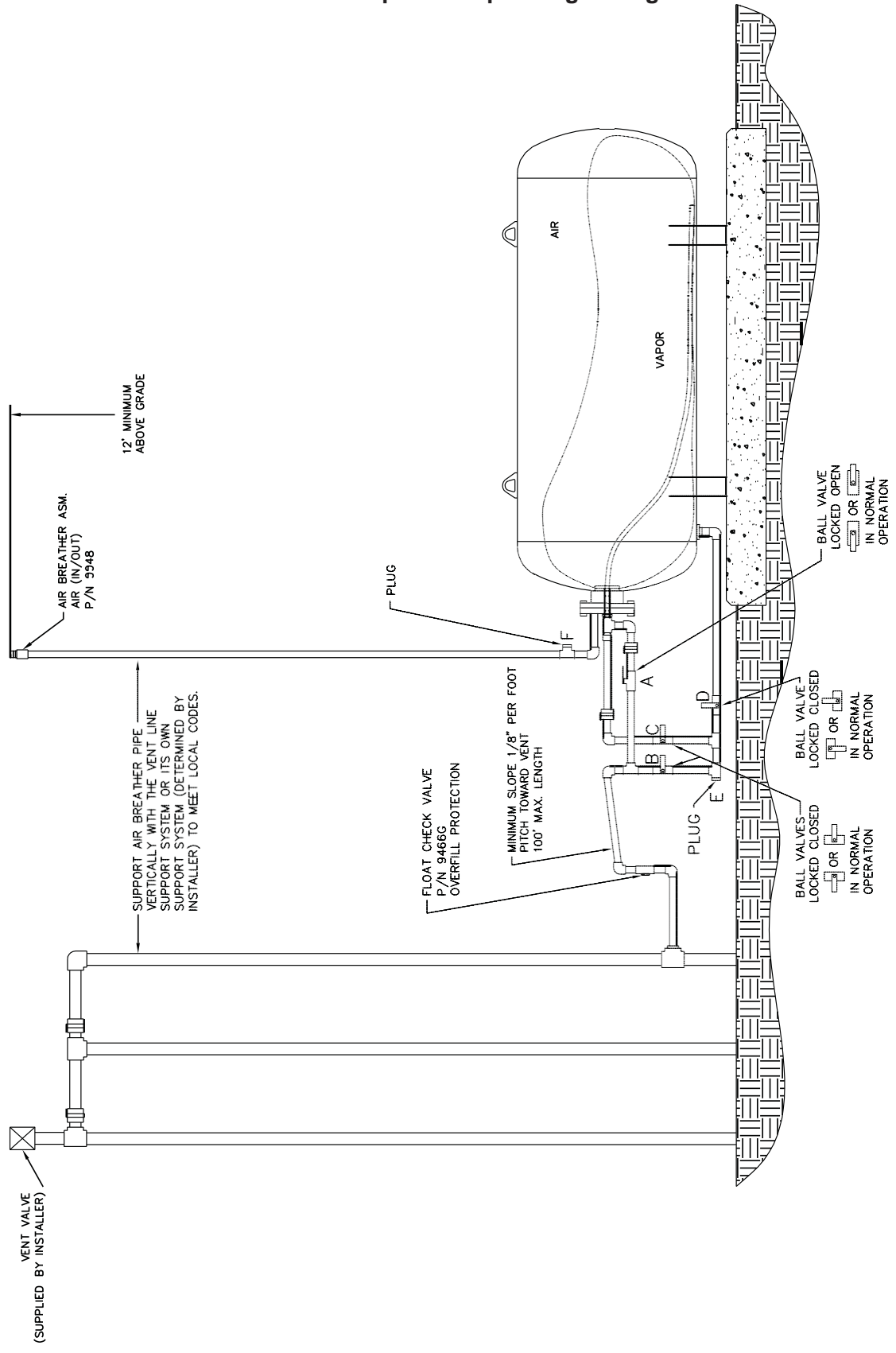
Valve "A" - Open  
Valve "B, C and D" - Closed  
Pipe End "E" - Plugged  
Tee Branch "F" - Plugged



**FIGURE 4-1**  
**Normal Clean Air Separator Operating Configuration**



**FIGURE 4-1H**  
**Normal Clean Air Separator Operating Configuration**



## 6.8 Installing the Test Port Assembly

6.8.1 Open the ball valve marked “B”, shown in Figure 4-1 or Figure 4-1H. This ensures that if there is any condensate in the primary connection line to the Clean Air Separator it will drop down into the lower section of the piping configuration, so that it can be measured. Close the valve after approximately 30 seconds.

6.8.2 Position the condensate collection vessel below plug “E” prior to removing it. Remove the 1” plugs from locations “E” and “F” from Figure 4-1 or Figure 4-1H. Transfer the collected condensate into the graduated cylinder. If there is more than 16 oz. (473 mL) of liquid condensate, the bladder and vapor processor vessel must be drained. Conduct the bladder and vessel draining procedures from the Clean Air Separator section of the **ARB Approved Installation, Operation and Maintenance Manual**.

Note: Depending upon the size of the graduated cylinder and the amount of condensate, it may take multiple transfers from the condensate collection vessel to get the total condensate measurement.

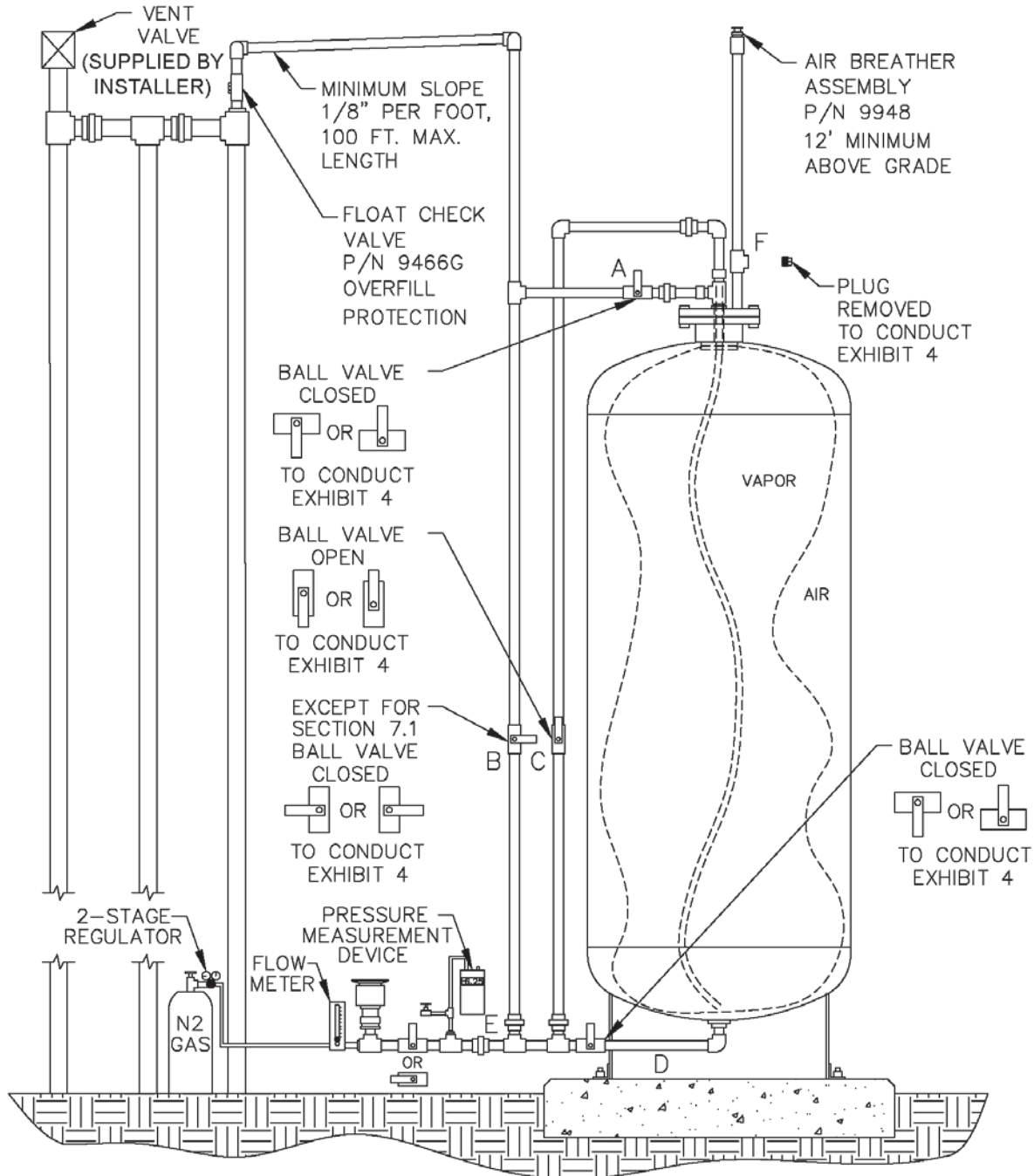
6.8.3 Install the Test Port Assembly to the Clean Air Separator at location “E”. See Figure 4-2 or Figure 4-2H. Figure 4-2 applies to vertical Clean Air Separator installations and Figure 4-2H applies to horizontal Clean Air Separator installations.

6.8.4 Connect the gaseous nitrogen supply to the Test Port Assembly. See Figure 4-2 or Figure 4-2H.

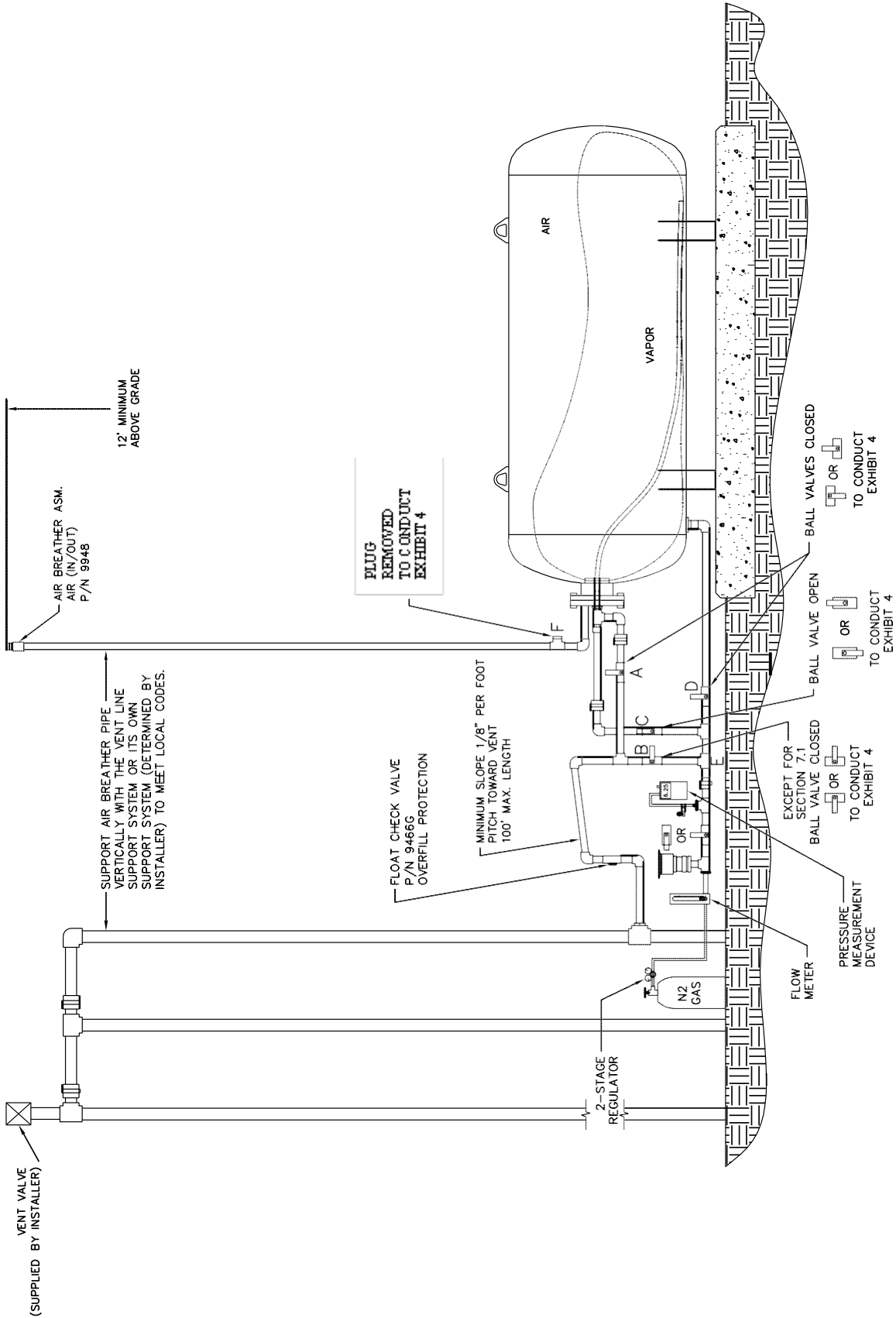
6.8.5 Check the test equipment and piping isolated from normal Clean Air Separator operation by the ball valves “B, C and D” by pressurizing with nitrogen to a pressure of 4” wc  $\pm$  1” wc and closing the ball valve on the Test Port Assembly. Use leak detection solution. Tighten as necessary. The test equipment shall have no leaks.

6.8.6 Open the needle valve on the Test Port Assembly to bleed the pressure off the equipment. Keep ball valve on Test Port Assembly closed.

**FIGURE 4-2**  
**Clean Air Separator in Configuration to Conduct Test**



**FIGURE 4-2H**  
**Clean Air Separator in Configuration to Conduct Test**



## 7 TESTING

- 7.1 Open the ball valve marked “B” from Figure 4-2 or Figure 4-2H. The pressure measurement device installed on the Test Port Assembly should now be reading UST and Clean Air Separator ullage pressure (or vacuum).
- 7.2 If the station vacuum is greater than (more negative) than -2.00” wc, then proceed to Section 7.2.1. If less than -2.00” wc, then proceed to Section 7.3:
- 7.2.1 Close the ball valves marked “A” and “B” from Figure 4-2.
- 7.2.2 Open the ball valve marked “C” from Figure 2 and wait one minute.
- 7.2.3 If necessary, use the needle valve on the Test Port Assembly to bleed air into the bladder until the vacuum level reaches as close to a whole number on the pressure measurement device as the accuracy of the device will provide (ie. -2.00, -3.00, -4.00, -5.00, -6.00, -7.00, -8.00). Make sure the needle valve is closed. Record this vacuum and start the stop watch to begin a 5 minute decay.
- 7.2.4 Record the vacuum at one-minute increments up to 5 minutes.
- 7.2.5 Using the information from Table 1, verify that the vacuum after 5 minutes is equal to or greater than the allowable minimum for the initial vacuum recorded from Section 7.2.3.
- 7.2.6 If the vacuum is greater than the allowable minimum, the Clean Air Separator passed the test.
- 7.2.7 If the vacuum is less than the allowable minimum, the Clean Air Separator failed the test.

**TABLE 1**  
**Allowable 5 Minute Vacuum Decay for Clean Air Separator**

Vacuum at Start of Test (inches wc)	Allowable Minimum Vacuum after 5 min. (inches wc)
8.0	5.5
7.0	4.7
6.0	3.8
5.0	3.0
4.0	2.2
3.0	1.5
2.0	0.8

- 7.3 If the station vacuum is less than  $-2.00''$  wc (from Section 7.2), or at the direction of district (refer to Section 2.2), conduct the following:
  - 7.3.1 Close the ball valves marked "A" and "B" from Figure 4-2.
  - 7.3.2 Open the ball valve marked "C" from Figure 4-2.
  - 7.3.3 Open the ball valve of the Test Port Assembly and flow nitrogen into the Clean Air Separator bladder at a flow rate between 2 and 4 CFM until the pressure in the bladder reaches  $2.20''$  wc.
    - 7.3.3.1 Depending upon the nitrogen flow rate used, the bladder could take up to 30 minutes to fill completely.
    - 7.3.3.2 Because of the close proximity of the pressure measurement device to the nitrogen inlet of the Test Port Assembly, the pressure measurement device may read a higher pressure when nitrogen is flowing. The pressure measurement device is usually steady, but will start to increase rapidly when the bladder is getting full.
    - 7.3.3.3 Periodically stopping nitrogen flow will provide an accurate reading of the pressure in the bladder.
  - 7.3.4 Once the pressure reaches  $2.20''$  wc, shut off the flow of nitrogen to the Clean Air Separator bladder and close the ball valve of the Test Port Assembly.
  - 7.3.5 Wait 5 minutes or until pressure stabilizes above  $2.00''$  wc. If the pressure does not stabilize, repeat steps 7.3.3 and 7.3.4.
  - 7.3.6 Use the needle valve on the Test Port Assembly to bleed off the nitrogen until the pressure reaches  $2.00''$  wc. Make sure the needle valve is closed. Record the pressure.
  - 7.3.7 Start the stop watch to begin a 5 minute decay.
  - 7.3.8 Record the pressure in one-minute increments up to 5 minutes.
  - 7.3.9 If the pressure in the bladder is greater than  $1.77''$  wc at the end of 5 minutes, then the Clean Air Separator passed the test.
  - 7.3.10 If the pressure in the bladder is less than  $1.77''$  wc at the end of 5 minutes, then the Clean Air Separator failed the test.
- 7.4 If the bladder was evaluated using the vacuum procedure (Section 7.2), close the ball valve "C" to keep it in a vacuum condition. If the bladder was evaluated using the pressure procedure (Section 7.3), open the needle valve on the Test Port Assembly to bleed off all pressure from the bladder.

- 7.5 Close the ball valve marked "C", if not already done.
- 7.6 Remove the Test Port Assembly from location "E" and install the 1" pipe plug. Use a pipe sealant approved for use with gasoline on the threads and tighten to 60 ft-lbs.
- 7.7 Install the 1" pipe plug to location "F". Use a pipe sealant approved for use with gasoline on the threads and tighten to 60 ft-lbs.
- 7.8 Open the ball valve marked "A". Lock all ball valves using the padlocks.
- 7.9 The Clean Air Separator should now be in normal operation configuration. Verify this by using the outline from Section 6.7 and Figure 4-1 or Figure 4-1H.

## **8 REPORTING**

- 8.1 Record test data on the form shown in Figure 4-3. Districts may require the use of an alternate form, provided that the alternate form includes the same minimum parameters as in Figure 4-3.



FIGURE 4-3

**Data Form for Determination of Static Pressure Performance of the Healy Clean Air Separator for Executive Orders VR-201 and VR-202**

SOURCE INFORMATION	
GDF Name and address: _____ _____ _____	GDF Representative and title: _____ _____ _____
	GDF Phone No. _____
Date and Time of Last Fuel Drop to GDF: _____	P/O #: _____ A/C#: _____
Date of Last Calibration of Pressure Measurement Device: _____	District Test Witness: _____

<b>VACUUM TEST (Section 7.1 through 7.2.7)</b>	
Vacuum at start of test, inches water column (7.2.3)	_____
Vacuum at one minute, inches water column	_____
Vacuum at two minutes, inches water column	_____
Vacuum at three minutes, inches water column	_____
Vacuum at four minutes, inches water column	_____
Final vacuum at five minutes, inches water column	_____
Allowable minimum vacuum, inches water column (from Table 1)	_____
<b>POSITIVE PRESSURE TEST (Section 7.3 through 7.3.9)</b>	
Pressure at start of test, inches water column (7.3.6)	_____
Pressure at one minute, inches water column	_____
Pressure at two minutes, inches water column	_____
Pressure at three minutes, inches water column	_____
Pressure at four minutes, inches water column	_____
Final pressure at five minutes, inches water column	_____
Allowable final pressure, inches water column (7.3.9)	<u>1.77</u>

Certified Technician Name	Test Company	Date Test Conducted
_____ Certification Number: _____ Expiration Date: _____	_____ _____ _____	_____ _____ _____

**Executive Order VR-201-X and VR-202-X  
Assist Phase II EVR System**

**Exhibit 5  
VAPOR TO LIQUID VOLUME RATIO  
(Healy Model 900 EVR Nozzle)**

Definitions common to all certification and test procedures are in:

**D-200 Definitions for Vapor Recovery Procedures**

For the purpose of this procedure, the term “ARB” refers to the California Air Resources Board, and the term “Executive Officer” refers to the ARB Executive Officer, or his or her authorized representative or designate.

**1. PURPOSE AND APPLICABILITY**

- 1.1** This test procedure is used to quantify the Vapor to Liquid (V/L) Volumetric Ratio of the Healy Model 900 EVR Nozzle installed at gasoline dispensing facilities (GDF). This procedure provides a method to determine compliance with the V/L requirements specified in ARB Executive Orders (EO) VR-201 and VR-202.

**2. PRINCIPLE AND SUMMARY OF TEST PROCEDURE**

- 2.1** A tight fitting adaptor is placed on the spout of a dispensing nozzle. The adaptor, which isolates vapor flow to the nozzle vapor collection ports, is connected to a volume gas meter. Gasoline is dispensed through the nozzle and the volume of vapors drawn through the vapor collection boot by the Phase II system vacuum pump is measured. The volume of vapor is recorded and compared with the volume of gasoline dispensed to determine the V/L Volumetric Ratio.
- 2.2** The test is conducted with the pressure/vacuum (P/V) vent valve(s) installed on the storage tank vent pipes.
- 2.3** The test procedure requires no modifications to the GDF being evaluated.
- 2.4** The test procedure may be conducted on a fueling point on one side of the dispenser with the other side of the dispenser either authorized to dispense fuel (but not dispensing), or with the other side dispensing fuel into a vehicle or another portable test tank. Conducting the test this way will be evaluating the V/L of the fueling point with the VP1000 vacuum pump running on its high speed setting.

### 3. BIASES AND INTERFERENCES

- 3.1 Nozzle spouts that are damaged such that the V/L adaptor cannot fit over the nozzle spout preclude the use of this test.
- 3.2 Refueling points not capable of achieving dispensing rates (see Equation 9-2) required for conducting the V/L test, as specified in Exhibit 2 of ARB Executive Orders VR-201 and VR-202, preclude the use of this test for determining in-use compliance of certified systems.
- 3.3 Bagging, or otherwise sealing any nozzle associated with the vacuum pump serving the nozzle being tested, may bias the test results towards compliance. **The V/L test to verify compliance shall be conducted without “bagging” any of the nozzles served by a common vacuum device.**
- 3.4 If the nozzle being tested introduces liquid into the V/L adaptor, gas volume meter or the adaptor supply hose, the V/L of that nozzle shall be deemed a failure of the V/L standard.
- 3.5 Do not drain or remove liquid in either the vapor passage of the hoses or the dispenser vapor piping prior to performing the test. Draining of this liquid gasoline will bias the test toward compliance.
- 3.6 The O-ring in the V/L adaptor that is not properly lubricated may bias the results toward noncompliance. See Section 5.7 for lubrication requirements. Motor oil (any weight) is acceptable for lubricating the O-ring. Contact Healy Technical Services with any questions about other lubricants that may be used in conducting this test.
- 3.7 Conducting V/L testing with an improperly conditioned portable test tank (not saturated with gasoline vapors) will bias the test results of the as found V/L of the fueling point. Refer to Section 6.6 for proper portable test tank conditioning.

### 4. SENSITIVITY, RANGE, AND ACCURACY

- 4.1 The maximum rated capacity of the gas volume meter shall be at least 800 CFH and not greater than 3,000 CFH.
- 4.2 The minimum rated capacity of the gas volume meter shall be 25 CFH.
- 4.3 The minimum readability of the gas volume meter shall be 0.01 cubic feet.
- 4.4 Accuracy, determined during calibration, will be  $\pm 5$  percent of the gas volume meter reading.

**5. EQUIPMENT**

**5.1 Vapor to Liquid Adaptor and Surrogate Spout**

**A. Vapor to Liquid Adaptor.** (Figures 5-1, 5-2, 5-4 and 5-5) Only the V/L Adaptors listed in Table 5-1 can be used to conduct V/L testing on the Assist Phase II EVR System. Table 5-1 is a matrix showing which Vapor to Liquid adaptor can be used with the original Healy 900 nozzle and the new Healy 900 nozzle with modified spout.

Table 5-1

Nozzle	Healy Adaptor Model 8034-1	Healy Adaptor Model 8034-3	Triangle Gold Adaptor P/N 20170329
Healy Original Model 900	•	•	•
Healy Model 900 With Modified Spout		•	•

**B. V/L Adapter Flexible Tubing.** The nominal inside diameter of the flexible tubing shall be between 0.75 and 1.00 inches, and the length of the tubing shall be between 3.0 and 6.0 feet.

**C. Surrogate Spout.** (Figures 5-1, and 5-5) Table 5-2 is a matrix showing which surrogate spout and adaptor can be used to conduct the Pre-test and post-test leak check.

Table 5-2

Surrogate Spout	Healy Adaptor P/N 8034-1	Healy Adaptor P/N 8034-3	Triangle Gold Adaptor P/N 20170329
P/N 8175	•	•	•
405803901		•	•

**5.2 Gas Volume Meter.** Use a gas volume meter to measure the volumetric flow rate through the V/L adaptor. The meter shall be equipped as shown in Figure 5-2 and the maximum allowable pressure drop(s) (determined by the manufacturer) across the meter shall be:

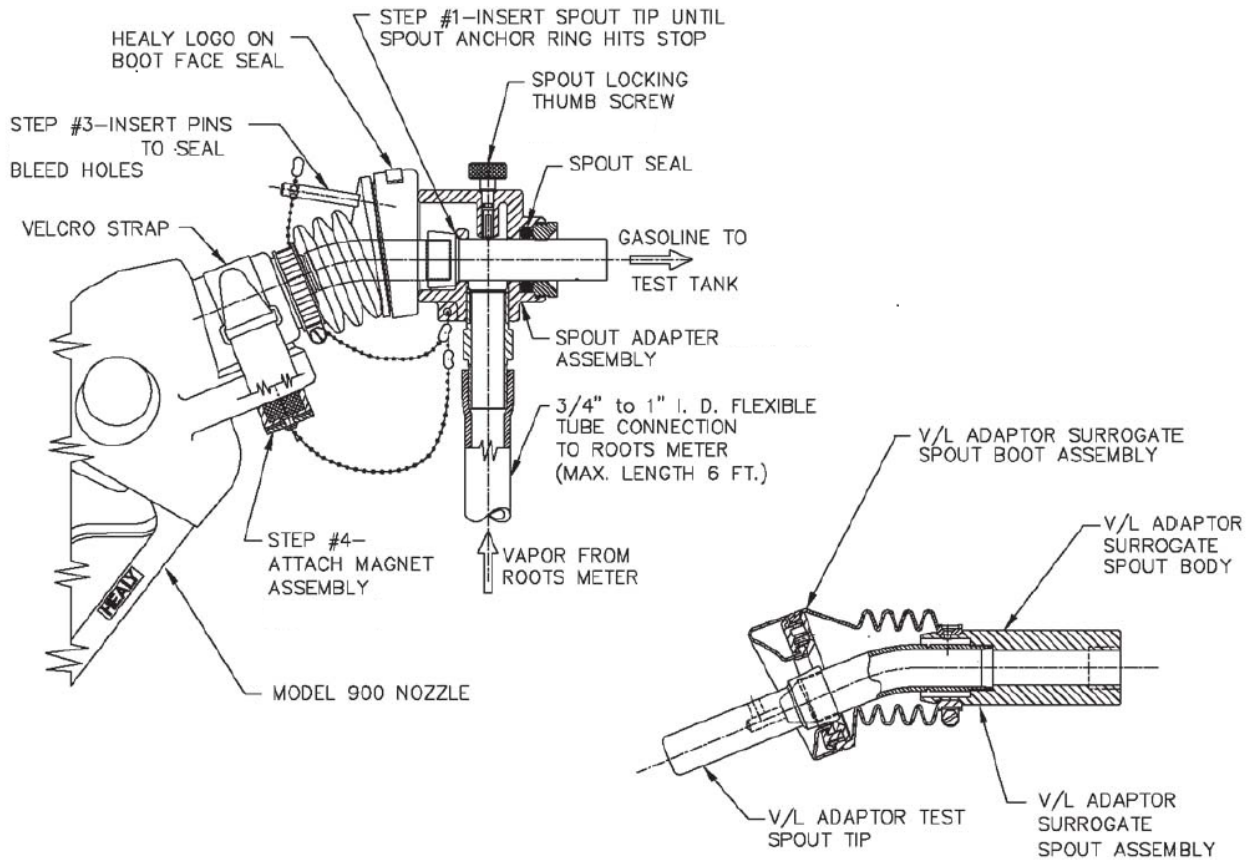
For a meter with a maximum rated capacity of 1000 CFH through 3,000 CFH:  
 1.10 inches H<sub>2</sub>O at a flowrate of 3,000 CFH  
 0.05 inches H<sub>2</sub>O at a flowrate of 30 CFH

For a meter with a maximum rated capacity of 800 to 1,000 CFH:  
 0.70 inches H<sub>2</sub>O at a flowrate of 800 CFH  
 0.04 inches H<sub>2</sub>O at a flowrate of 16 CFH

See Section 6.2 for further gas volume meter specifications.

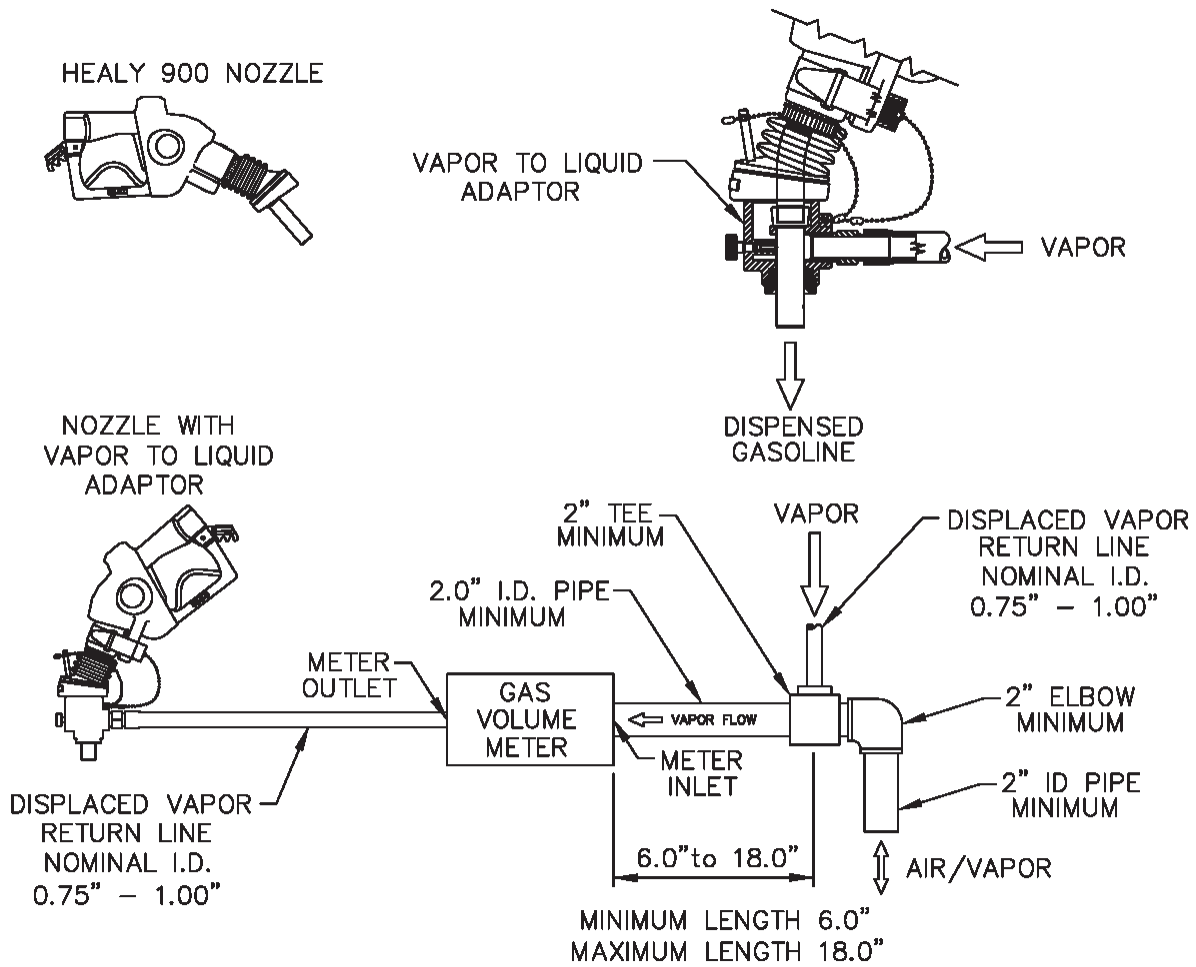
**5.3 Volume Gas Meter Inlet Manifold.** This manifold is designed to return the vapors displaced from the portable gasoline tank assembly, at atmospheric pressure, to the inlet of the gas volume meter. This manifold shall be two (2.0) inches minimum inside diameter pipe. The intake passage of the manifold shall be no shorter than 6.0 inches and no longer than 18.0 inches. See Figures 5-2 and 5-4.

**FIGURE 5-1**  
**Healy Vapor To Liquid (V/L) Adaptor and Surrogate Spout Assembly**



**NOTE:** The thumbscrew and Healy logo on top of the nozzle boot face seal must be in vertical alignment to imitate fueling an unleaded vehicle.

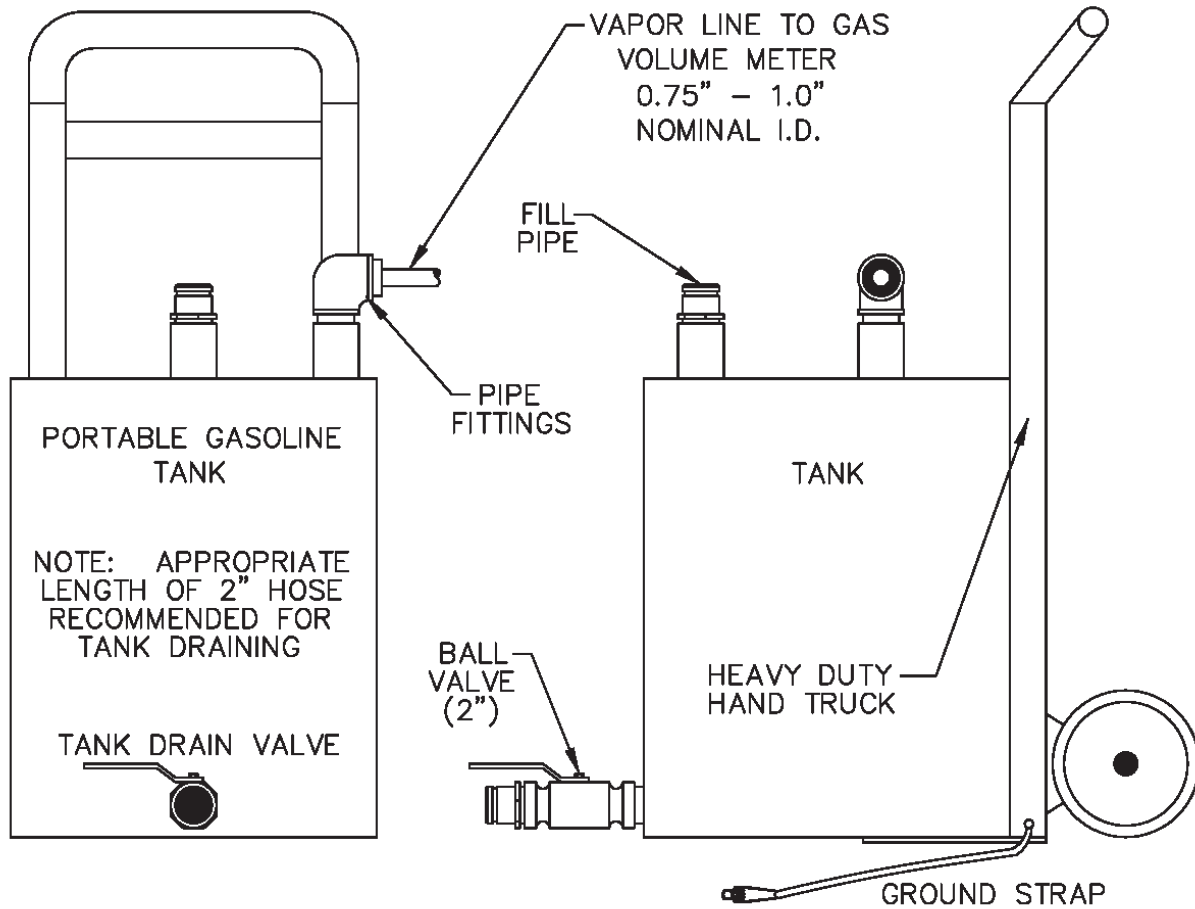
**FIGURE 5-2**  
**Gas Volume Meter and Vapor To Liquid Adaptor**



- 5.4 Liquid Volume Meter.** Use the totalizer on the gasoline dispenser to measure the volume of gasoline dispensed during the test.
- 5.5 Portable Gasoline Tank Assembly.** A portable tank, meeting fire safety requirements for use with gasoline, shall be used to receive the gasoline dispensed during this test. The tank shall have sufficient volume so that at least 4.5 gallons may be dispensed prior to activating the primary shutoff mechanism of the dispensing nozzle. Portable tanks shall have a permanent label or mark indicating the total fuel capacity in gallons. Tank material, likely to provide contact with the nozzle spout, or V/L adaptor, during the entire dispensing event, shall be constructed of aluminum or brass or other materials approved by the local fire codes for such application. The tank and required plumbing configuration is shown in Figure 5-3 and Figure 5-4. This configuration permits a portion of the vapors displaced during testing to be returned to the underground storage tank (UST). The minimum and maximum dimensions shown in Figure 5-2 and Figure 5-4 shall be adhered to in all cases.
- 5.6 Stopwatch.** Use a stopwatch accurate to within 0.2 seconds.
- 5.7 Lubricant.** Appropriate lubricant shall be used to ensure a leak-tight seal between the O-ring in the V/L adaptor and the nozzle spout. Motor oil (any weight) is acceptable for lubricating the O-ring. Contact Healy Technical Services with any questions about other lubricants that may be used in conducting this test.
- 5.8 Leak Detection Solution.** Any liquid solution designed to detect gaseous leaks may be used to verify the pressure integrity of test equipment during this test.
- 5.9 Pressure Measuring Device.** An electronic pressure measuring device with a full scale range that shall not exceed 0-10 inches WC with a minimum accuracy of 0.5 percent of full scale. A 0-20 inches WC device may be used provided the minimum accuracy is 0.25 percent of full-scale.



**FIGURE 5-3**  
**Portable Tank Assembly**



## 6. PRE-TEST PROCEDURES

- 6.1 Assemble the portable tank assembly and gas volume meter as shown in Figure 5-4. The minimum and maximum dimensions shown in Figure 5-4 shall be adhered to in all cases. **Ensure that the ground strap is properly connected to an acceptable ground.**

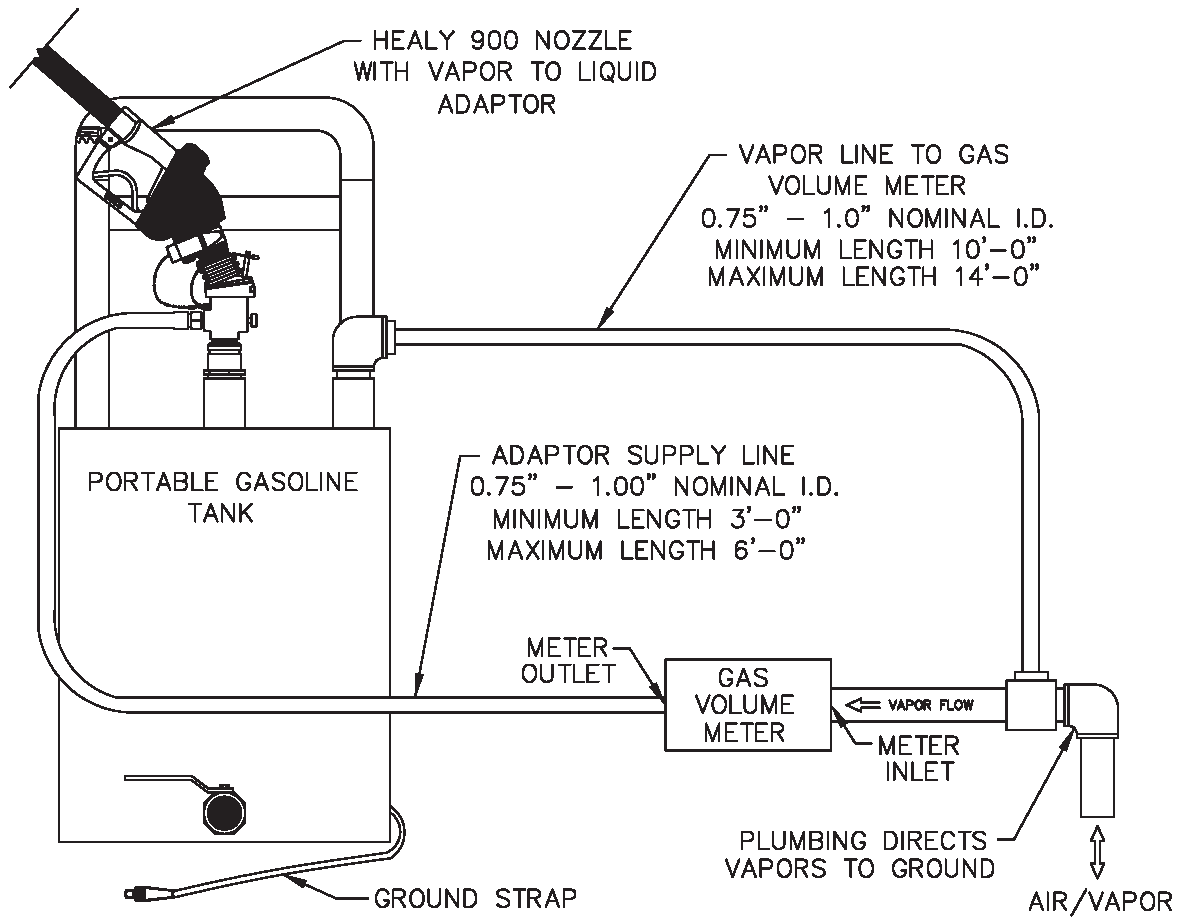
Note: A one-time test to verify proper design of the tee connection at the gas volume meter shall be conducted. Disconnect the V/L adaptor from the nozzle. Insert the nozzle into the portable test tank so that there is no visible gap between the nozzle boot/portable test tank fill pipe interface. Dispense between four and one-half and five (4.5 - 5.0) gallons into the portable test tank. The tee connection design passes the test if the displacement on the gas volume meter is less than 0.01 cubic feet. The result of this test shall be kept with the test equipment. If the tee connection is altered or changed, the above test must be repeated to ensure proper design.

- 6.2 The gas volume meter shall be calibrated, within 180 days prior to conducting this procedure. In addition, calibration shall be conducted after any repairs or alterations (changes to the operation or configuration of the meter) to the meter. Calibrations, at a minimum, shall be conducted at flowrates of 30, 60, and 90 CFH (3.7, 7.5, and 11.2 gallons/minute) in accordance with one of the following:

- (a) ARB Air Monitoring Quality Assurance, Volume VI, Standard Operating Procedures for Stationary Source Emission Monitoring, January 1979, or
- (b) US EPA Quality Assurance Handbook for Air Pollution Measurement Systems, Volume III, Stationary Source Specific Methods, or
- (c) EPA Method 2A, Measurement of Gas Volume Through Pipes and Small Ducts (40 CFR Part 60, Appendix A), or
- (d) Appropriate calibration procedures in accordance with California Department of Food and Agriculture, Division of Measurement Standards and County Department of Weights and Measures (title 4, CCR, section 3.33).

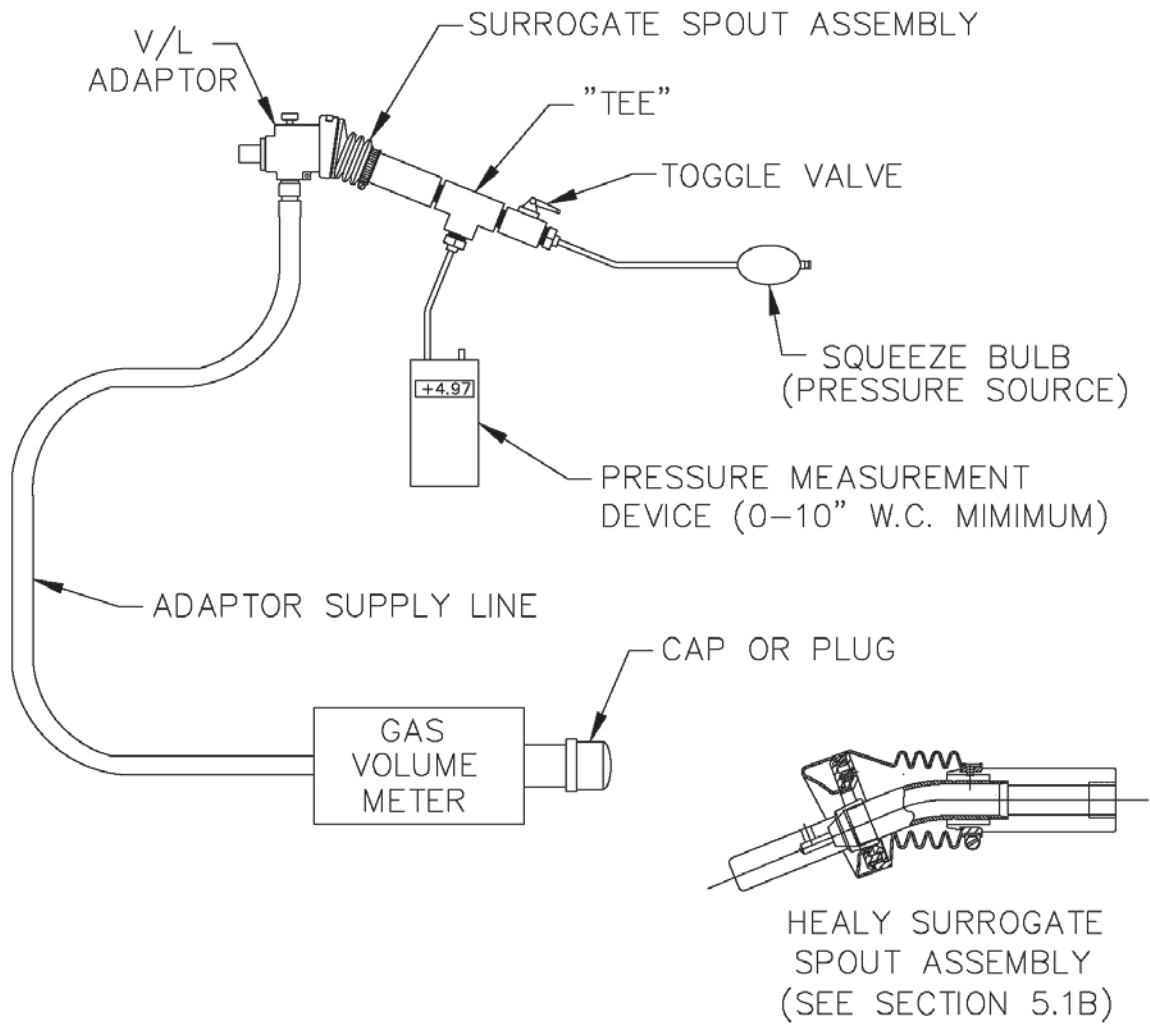
A copy of the most current calibration shall be kept with the meter.

**FIGURE 5-4**  
**Assembled Vapor to Liquid Volume Ratio Test Equipment**



- 6.3** Verify that the O-ring in the V/L adaptor is present and in good condition. An O-ring with nicks, tears, or other deformations shall be replaced prior to the test. The O-ring shall be properly lubricated (see Section 5.7) to ensure a vapor tight connection.
- 6.4** Conduct a pre-test leak check of the V/L adaptor, the gas volume meter and the adaptor supply hose by connecting the V/L adaptor to a surrogate spout as shown in Figure 5-5 and described in Section 5.1B. Raise the test pressure to 5.00"  $\pm$  0.50" WC. There shall not be a pressure drop of more than 1.00" WC from the above starting pressure for 30 seconds from the start of the test. If the leak test passes, proceed with the V/L testing. If the leak test fails, proceed to isolate the source of the leak by pressurizing the test equipment again. Squirt liquid leak detector solution on interfaces and other potential leak sources and watch for the formation of bubbles. Once leak(s) are repaired, repeat the leak test procedure.
- Note:** Leak checks shall be conducted in a shaded area or away from direct sunlight. Leak checks may be conducted during V/L testing to ensure leak integrity of test equipment.
- 6.5** This test procedure shall be conducted with the storage tank pressure/vacuum (P/V) valve(s) installed and the Phase I vapor coupler(s) poppet(s) in the closed position with the adaptor dust cap(s) installed.
- 6.6** With the portable tank and V/L test equipment assembled, dispense gasoline into the portable test tank until at least 10% of the tanks total capacity has been reached. This will condition the portable tank with gasoline vapors. This conditioning shall be conducted each time the test tank is emptied prior to conducting testing at each facility.
- 6.7** All pressure measuring device(s) shall be bench calibrated using a reference gauge, incline manometer or NIST traceable standard at least once every six (6) months. Calibration shall be performed at 20, 50, and 80 percent of full scale. Accuracy shall be within five (5) percent at each of these calibration points.

**FIGURE 5-5**  
**Vapor To Liquid Adaptor and Gas Volume Meter Leak Test Assembly**



## 7. TEST PROCEDURES

- 7.1 Carefully connect the V/L adaptor to the nozzle spout as shown in Figure 5-1, isolating the vapor path of the nozzle and ensuring a tight connection.
- 7.2 Record the initial reading from the index of the gas volume meter on the V/L Field Data Sheet at the end of this document. This initial reading shall be taken before each test. Do not use the final reading from the preceding test as the initial reading for the current test, unless it has been verified. This is necessary since the meter index may have moved due to the low pressure drop through the meter.
- 7.3 Reset the stopwatch and, if appropriate, reset the totalizer on the dispenser.
- 7.4 Holding the nozzle lever in the maximum hand-held position in order to dispense at the highest possible flow rate and begin dispensing into the portable gasoline tank. **Ensure that the nozzle spout is in contact with the grounded tank assembly during dispensing.** Start the stopwatch when the totalizer indicates dispensing has started.
- 7.5 Dispense between four and one-half (4.5) and five (5.0) gallons of gasoline.

If the nozzle being tested introduces liquid into the V/L adaptor, the gas volume meter or the adaptor supply hose, the V/L of that nozzle shall be deemed a failure.

- 7.6 Simultaneously stop both the stopwatch and gasoline dispensing.
- 7.7 The following data for each test shall be recorded on the V/L Field Data Sheet:
  - 7.7.1 Dispenser (pump) number
  - 7.7.2 Fuel grade
  - 7.7.3 Nozzle serial number (found below nozzle handguard)
  - 7.7.4 Initial gas volume meter reading, in cubic feet
  - 7.7.5 Initial totalizer reading from the dispenser, in gallons
  - 7.7.6 Final gas volume meter reading, in cubic feet
  - 7.7.7 Final totalizer reading from the dispenser, in gallons
  - 7.7.8 Elapsed time during dispensing, in seconds

**Note:** Units other than cubic feet, gallons, and seconds may be used, provided that Equation 9-1 is appropriately modified.

- 7.8 If the V/L Volumetric Ratio, as determined by Equation 9-1 is between 0.95 –1.15, the grade point complies with the specifications.

**7.9** If the V/L Volumetric Ratio is between 0.76 – 0.94, or greater than or equal to 1.16, conduct the test two additional times. Do not make adjustments to the gasoline dispensing or vapor recovery lines until all three test runs have been completed. Only adjustments to the V/L test equipment and the connection between the V/L adaptor and the nozzle will be allowed in order to ensure measurement accuracy. All other adjustments to the vapor recovery equipment, including but not limited to the vapor collection pump and the nozzle, are not allowed. If the V/L test equipment is adjusted, then the prior test run results for that grade point tested should not be used. Calculate the numerical average of the three test runs. If the average V/L value of these three test runs is within the allowable limits, compliance has been verified. If the resulting average is outside of the specified limits, the grade point tested does not comply with the specifications of the EO.

Note: Section 1.10 of the Healy 900 Nozzle portion of the **ARB Approved Installation, Operation and Maintenance Manual** provides instructions on making nozzle V/L adjustments.

**7.10** If the initial V/L Volumetric Ratio is less than or equal to 0.75, this indicates a V/L failure of the grade point tested.

**7.11** To avoid a build-up of gasoline, drain any condensed gasoline from the hoses between the gas volume meter and portable tank assembly, and the V/L adaptor and gas volume meter whenever fuel is emptied from the portable tank.

## **8. POST-TEST PROCEDURES**

**8.1** Remove the V/L adaptor from the nozzle.

**8.2** Drain the dispensed product into the appropriate gasoline storage tank at the facility. **Ground the portable tank assembly to the storage tank before draining.** Do not mix product grades in the portable tank assembly without approval of the facility owner and use caution to drain the portable tank into the correct facility storage tank. If blending valves are utilized to produce product grades that do not have a dedicated storage tank, product from the blended grade shall be returned to the lower octane tank.

**8.3** After concluding testing at the facility, perform a post-test leak check of the V/L adaptor, the gas volume meter and the adaptor supply hose by connecting the V/L adaptor to a surrogate spout as shown in Figure 5-5 and described in Section 5.1B. Raise the test pressure to  $5.00'' \pm 0.50''$  WC. There shall not be a pressure drop of more than  $1.00''$  WC from the above starting pressure for 30 seconds from the start of the test. The data collected during the V/L testing between the last valid test equipment leak check (see Section 6.4) and the post-test leak check is invalid if the test equipment fails this post-test leak check.

**Note:** Leak checks shall be conducted in a shaded area or away from direct sunlight.

**8.4** Prior to transportation, the inlet and outlet of the gas volume meter shall be carefully sealed to prevent foreign matter from entering the meter.

**8.5** The Authority Having Jurisdiction (AHJ) may be contacted on the requirements for storage and transportation of the portable test tank. This would typically be the local fire department.

## 9. CALCULATING RESULTS

**9.1** The V/L Volumetric Ratio shall be calculated as shown in Equation 9-1.

$$V / L = \left[ \frac{y (V_f - V_i)}{G_f - G_i} \right] \times 7.481 \quad \text{[Equation 9-1]}$$

Where:

V/L	=	Vapor to Liquid Volumetric Ratio, dimensionless
y	=	Correction factor for gas volume meter. See Equation 9-3
V <sub>i</sub>	=	Initial gas volume meter reading, cubic feet
V <sub>f</sub>	=	Final gas volume meter reading, cubic feet
G <sub>i</sub>	=	Initial totalizer reading from the dispenser, gallons
G <sub>f</sub>	=	Final totalizer reading from the dispenser, gallons
7.481	=	Conversion factor from gallons to cubic feet, gallons per cubic foot

**9.2** The gasoline dispensing rate during the V/L test shall be calculated as shown in Equation 9-2.

$$Q_g = \left[ \frac{G_f - G_i}{t} \right] \times 60 \quad \text{[Equation 9-2]}$$

Where:

Q <sub>g</sub>	=	Gasoline dispensing rate, gallons per minute
G <sub>i</sub>	=	Initial totalizer reading from the dispenser, gallons
G <sub>f</sub>	=	Final totalizer reading from the dispenser, gallons
t	=	Elapsed time during dispensing event, seconds
60	=	Conversion factor, seconds per minute

**9.3** The correction factor (determined during gas volume meter calibration) for correcting observed values of the gas volume meter shall be calculated as shown in Equation 9-3.

$$y = \left[ \frac{V_r}{V_m} \right] \quad \text{[Equation 9-3]}$$

Where:

y	=	Correction factor for the gas volume meter's observed reading, dimensionless
V <sub>r</sub>	=	True volume from current calibration of gas volume meter, cubic feet
V <sub>m</sub>	=	Corresponding observed reading from gas volume meter, cubic feet



## **10. REPORTING RESULTS**

**10.1** Report V/L test data and other information as required in the V/L Field Data Sheet at the end of this document. Districts may require the use of alternate forms, provided they include the same minimum parameters as identified in the V/L Field Data Sheet.

## **11. ALTERNATE PROCEDURES**

**11.1** This procedure shall be conducted as specified. Modifications to this test procedure shall not be used to determine compliance unless prior written approval has been obtained from the ARB Executive Officer, pursuant to Section 14 of Certification Procedure CP-201.



**Executive Order VR-201-X**  
**Assist Phase II EVR System**  
**Not Including In-Station Diagnostic (ISD) Systems**

**Exhibit 6**  
**MANUFACTURER WARRANTIES**

This exhibit includes the manufacturer warranties for all components listed in Exhibit 1, including replacement parts and subparts. The manufacturer warranty tag, included with each component, shall be provided to the service station owner/operator at the time of installation.

---

**Table of Content Manufacturer Warranties**

I. FRANKLIN FUELING SYSTEMS ENHANCED VAPOR RECOVERY LIMITED WARRANTY ...	1
II. CONTITECH FUTURA HVR LOW PERM HOSE WARRANTY .....	5
III. CATLOW BREAKAWAY WARRANTY.....	6
IV. VST ENVIRO-LOC™ LOW PERM HOSE AND BREAKAWAY WARRANTY .....	7

---

**FRANKLIN FUELING SYSTEMS ENHANCED VAPOR RECOVERY LIMITED WARRANTY**

Franklin Fueling Systems (FFS) Enhanced Vapor Recovery (EVR) products are offered for sale under the brand names of Healy, INCON, Phil-Tite, EBW, and Franklin Fueling Systems (collectively referred to as “FFS EVR products”). FFS EVR products are fully tested at the time of manufacture to meet the applicable performance standards and specifications to which it was certified by the California Air Resources Board (CARB) for the duration of the warranty period, as indicated in the related CARB Executive Order (EO). Performance standards and specifications are listed in Exhibit 2 (System Specifications) and Exhibit 3 (Manufacturing Performance Standards and Specifications) in the related CARB EO.

FFS warrants that FFS EVR products installed in California will conform to the warranty terms and conditions required by the California Certification Procedure for Vapor Recovery Systems at Gasoline Dispensing Facilities (CP-201) with respect to (a) transferability of warranties for FFS EVR products, (b) design changes to FFS EVR products, (c) performance specifications of the FFS EVR products, and (d) duration of the warranty period of FFS EVR products.

FFS EVR products are warranted to the initial purchaser, and any subsequent purchaser within the warranty period, for workmanship, performance, and materials when properly installed, used and maintained in accordance with the CARB Approved Installation, Operation, and Maintenance Manuals by certified technicians or an owner/operator as defined in the related CARB EO and to generally accepted industry standards.

FFS reserves the right to make changes in the design or to make additions or improvements with respect to FFS EVR products without incurring any obligation to modify or install same on previously manufactured products, upon written approval from CARB.

FFS reserves the right to change or cancel all or any part of this limited warranty, upon written approval from CARB. Any such change or cancellation will be effective for products sold by FFS after the date of such change or cancellation. No agents, distributors, dealers, or employees of FFS are authorized to make modifications to this warranty or to make additional warranties with respect to any FFS EVR products. Accordingly, any statements made by individuals, whether oral or written, shall not constitute a warranty of FFS and shall not be relied upon.

FFS warrants the workmanship and materials of FFS EVR products to be free of defects, at the time of sale by FFS, for a period of one year (12 months) from the date of installation. When warranty for FFS EVR products cannot be verified to date of installation, claims will be honored for a period of fifteen (15) months from the date of purchase. When warranty for FFS EVR product cannot be verified to date of installation or date of purchase, claims will be honored for a period of eighteen (18) months from date of manufacture by FFS (for location of date of manufacture on components, see related CARB EO Exhibit 1 – Equipment List). In all cases, installation date or purchase date will require providing formal documentation to FFS as evidence of applicable warranty coverage or date of manufacture will be used to determine duration of warranty period. Formal documentation may include, but is not limited to, FFS authorized service company and distributor work orders, startup/installation documentation, maintenance logs, and/or sales receipts.

FFS shall not be liable for any loss or damage whatsoever, including, without limitation, loss in profits, loss in sales, loss of fuel or other products, loss of use of equipment, facilities or service, costs of environmental remediation, diminution in property value, or any other special, incidental or consequential damages of any type or nature, and all such losses or damages are hereby disclaimed and excluded from this limited warranty.

Use of non-FFS replacement parts, the unauthorized addition of non-FFS items to FFS EVR products, and the unauthorized alteration of FFS EVR products will void warranty. FFS shall, as to each defect, be relieved of all obligations and liabilities under a components warranty if the FFS EVR products have been operated with any accessory, equipment, or a part not specifically approved by FFS and not manufactured by FFS to FFS design and specifications.

FFS EVR product warranty shall not apply to any products which have been mishandled, incorrectly installed or applied, altered in any way, which has been repaired by any party other than qualified technicians, or when such failure is due to misuse or conditions of use (such as, but not limited to, blown fuses, sheared breakaway screws, corrosion damage, negligence, accidents, or normal wear of plastic/rubber parts including scuff guards and seals). FFS EVR product warranty shall not apply to acts of terrorism, acts of war, or acts of God (such as, but not limited to, fire, flood, earthquake, or explosion). Unless otherwise expressly provided in a specific FFS written warranty, FFS does not provide coverage for labor or shipping charges, shall not be liable for any costs or charges attributable to any product testing, maintenance, installation, repair or removal, or any tools, supplies, or equipment need to install, repair, or remove any FFS EVR product.

Other than those FFS EVR products specifically designated for fuel concentrations of 85% ethanol with 15% gasoline (E85), FFS EVR product warranty shall not cover any components that have been in contact with fuel concentrations greater than 15% ethanol or 15% methanol by volume (up to E15/M15).

Claims for FFS EVR product warranty must be submitted in writing promptly after discovery of a defect with a Returned Goods Authorization (RGA) Number from FFS. FFS will honor warranty claims processed through FFS authorized service companies and distributors only. FFS will honor warranty claims submitted no more than thirty (30) days after the end of the applicable warranty period. Product returned for warranty inspection must be shipped freight prepaid to FFS's facilities, with the RGA Number indicated on the returned product, to the following address for inspection:

INCON branded products:  
Franklin Fueling Systems, Inc.  
ATTN: Warranty Department  
34 Spring Hill Road  
Saco, ME 04072 USA

All other FFS EVR Products:  
Franklin Fueling Systems, Inc.  
ATTN: Warranty Department  
3760 Marsh Road  
Madison, WI 53718 USA

Franklin Fueling Systems, upon inspection and after determination of a warranty defect, will at its option, repair or replace defective parts returned to FFS's facility or where the product is in use. Repaired or replaced parts will be returned freight prepaid by FFS.

**A copy of this limited warranty is to be retained with the equipment, on-site with the facility owner / operator.**

**Component Model Number:** \_\_\_\_\_

**Component Date of Manufacturer:** \_\_\_\_\_

**Component Install Date:** \_\_\_\_\_

**Facility Name:** \_\_\_\_\_

**Facility Address:** \_\_\_\_\_

**Installer Name:** \_\_\_\_\_

**Installer Signature:** \_\_\_\_\_

**CONTITECH FUTURA HVR LOW PERM HOSE WARRANTY**

**WARRANTY FOR VAPOR RECOVERY SYSTEMS EQUIPMENT USED IN**

**CALIFORNIA:** Seller warrants Product(s) consisting of vapor recovery system equipment used in California ("California Vapor Recovery Product(s)") to meet the performance standards and specifications to which such Product(s) were certified by the California Air Resources Board for a period of one (1) year from the date of installation. This warranty extends to Buyer and any subsequent Buyer of the California Vapor Recovery Product(s). **SELLER MAKES NO REPRESENTATION OR WARRANTY OF ANY KIND WITH RESPECT TO PRODUCT(S), EXPRESS OR IMPLIED, EXCEPT AS EXPRESSLY PROVIDED ABOVE.**

**Warranty Card**

<b>WARRANTY TAG</b>	<b>ContiTech USA, Inc.</b>
<p><b>PART #:</b> _____</p> <p><b>INSTALLATION DATE:</b> _____ <b>NAME OF INSTALLER:</b> _____</p> <p><b>LOCATION:</b> _____</p>	
<p>This hose was factory tested to and met all applicable performance standards &amp; specifications to which it was certified: Reference all applicable CARB Executive Orders, CARB Test Procedures, Exhibits, and UL Standard 330.</p> <p>The manufacture date is represented by a 4 digit julian date code stamped on the hose fitting. Example: "1021" represents the 102nd day of 2011.</p>	
<ol style="list-style-type: none"> <li>1. Complete warranty tag at time of installation.</li> <li>2. Return warranty tag or other evidence of purchase and installation with hose for any necessary warranty claims.</li> </ol>	
<p><b><u>WARRANTY FOR VAPOR RECOVERY SYSTEMS EQUIPMENT USED IN CALIFORNIA:</u></b> Seller warrants Product(s) consisting of vapor recovery system equipment used in California ("California Vapor Recovery Product(s)") to meet the performance standards and specifications to which such Product(s) were certified by the California Air Resources Board for a period of one (1) year from the date of installation. This warranty extends to Buyer and any subsequent Buyer of the California Vapor Recovery Product(s). <b><u>SELLER MAKES NO REPRESENTATION OR WARRANTY OF ANY KIND WITH RESPECT TO PRODUCT(S), EXPRESS OR IMPLIED, EXCEPT AS EXPRESSLY PROVIDED ABOVE.</u></b></p>	



<b>CAMTWIST Magnetic Breakaway Warranty</b>	577014-071 DATE 12/2013
---	----------------------------

## EQUIPMENT WARRANTY



Veeder-Root warrants that this product shall be free from defects in material and workmanship and is compliant with all applicable performance standards and specifications for which it has been certified, for a period of one (1) year from date of installation when proof of the date of install is provided. Or fifteen (15) months from date of manufacture (see terms below) when proof of date of installation is not provided.

Date of manufacture: \_\_\_\_\_

\*Product S/N: \_\_\_\_\_

\*Date of installation: \_\_\_\_\_

\*Technician number: \_\_\_\_\_

*\*Required Information*

<p><b>*Installation Address:</b>                  Street: _____                  City: _____ State: _____                  Phone: _____ - _____ - _____</p>
---

This component was tested at the time of manufacture and meets all the applicable performance standards and specification to which it was certified; E.O. VR-201 and VR-202.

For detailed warranty terms see EO warranty exhibits (VR-201/VR-202 Exhibit 6) on the ARB Web site at:  
<http://www.arb.ca.gov/vapor/eo-evrphase11.htm>



# CUSTOMER COPY

To be left at gasoline dispensing facility, GDF,  
at time of installation

Manufacturing Date:

Serial Number and Install Date:  
(Fill in at time of installation)

## VST Warranty Statement

This limited warranty is given by Vapor Systems Technologies, Inc. (hereinafter VST) to the initial purchaser, and any subsequent purchasers of new equipment, within the warranty period of products manufactured by VST. VST products:

- Are factory tested and meet all applicable performance standards and specifications.
- Should be used in compliance with all applicable federal, state, and local laws and regulations to which they were certified.
- Are warranted to be free from defect in material and workmanship with ongoing compliance to all applicable performance standards and specifications under normal use, service, proper installation, inspections, and maintenance practices per manufacturer specifications.

VST warrants the materials and workmanship to be free from defects in accordance with the following provisions:

1. This warranty does not apply to any products that have:
  - Been subject to misuse, abuse, tampering, negligence, accident, or irreparable drive-off damage.
  - Been misapplied, improperly installed, or not installed per VST's instructions and specifications.
  - Been modified, altered, rebuilt or repaired by unauthorized persons or outside the criteria of VST specifications.
  - Been improperly maintained and/or improperly inspected in accordance with the system's or product's periodic maintenance schedule, and any inspection and/or maintenance requirements imposed by the State or any government agency.
  - Been exposed to contact with fuels containing greater than 5% methanol, 10% ethanol, or 15% MTBE by volume or any exposure to M85/E85 fuel.
  - Been subject to damage resulting from acts of God.
2. This warranty does not cover and VST is not responsible or liable for:
  - Incidental, consequential and/or indirect damages or loss including, but not limited to, personal injury, death, property damage, environmental damage, cost of labor, clean-up, downtime, installation and removal, product damage, and loss of product, revenue or profits.
  - Any claims or lawsuits against the purchaser and/or distributor.
  - Labor or materials necessary to disconnect or connect the warranted product for return to VST.

VST products used on systems that have not been listed by a nationally-recognized testing laboratory (NRTL) or use that falls outside intended field of use voids all warranties.

The duration of this warranty is TWELVE (12) MONTHS from the time of installation provided timely valid proof of installation is submitted to VST. Valid proof of installation options include, but are not limited to:

- VST Product Warranty Registration Card is properly completed and returned to VST at time of installation and within (6) SIX MONTHS from the date of manufacture.

OR

- In lieu of a legitimate, completed and returned VST Product Warranty Registration Card within the first (6) SIX MONTHS from the date of manufacture, VST requires the following:
  1. A completed gasoline dispensing facility (GDF) monthly maintenance log from the month in which the VST equipment was installed and documented, **AND**
  2. One of the following documents that may be used as a reference installation date:
    - A valid distributor invoice
    - A valid contractor invoice

The above options must be clearly marked with:

- All VST product serial numbers
- Product sale date and/or installation date
- Purchaser name, address, and phone number

If valid proof of installation is not received by VST, as noted above, the warranty period is TWELVE (12) MONTHS from the VST date of manufacture.

In the event of a warranty claim:

- The purchaser/distributor must obtain a copy of a Return Goods Authorization (RGA) from VST prior to returning product so as to ensure proper processing. All warranty claim returns must be shipped freight prepaid by the purchaser and/or distributor.
- Warranty status will be determined upon inspection at VST's facility within THIRTY (30) DAYS of receipt by VST of the warranted products. All returned merchandise deemed *Not Under Warranty*; will be held by VST for SEVEN (7) BUSINESS DAYS prior to disposal. Return of this product to the purchaser/distributor will require purchaser/distributor to issue a call tag within SEVEN (7) BUSINESS DAYS of notification.
- Repair or replacement of the warranted product is the **EXCLUSIVE REMEDY** under the terms of this warranty. No other warranty exists.

VST, as to each defect, shall be relieved of all obligations and liabilities under this Limited Warranty if the products have been operated with any accessory, equipment, or a part not specifically approved by VST and the appropriate governing regulatory agencies.

**THIS LIMITED WARRANTY IS EXCLUSIVE AND IS IN LIEU OF ALL OTHER WARRANTIES. VST MAKES NO OTHER WARRANTIES (WHETHER WRITTEN OR ORAL), EXPRESS OR IMPLIED, INCLUDING BUT NOT LIMITED TO ANY IMPLIED WARRANTY OF MERCHANTABILITY, FITNESS FOR A PARTICULAR PURPOSE, OR OTHERWISE, AND ANY OTHER SUCH WARRANTIES ARE HEREBY DISCLAIMED.**

**VST NEITHER ASSUMES NOR AUTHORIZES ANY OTHER PERSON OR ENTITY TO ASSUME FOR IT OR BIND IT TO ANY OTHER LIABILITY OR OBLIGATION RELATED TO OR IN CONNECTION WITH THIS LIMITED WARRANTY.**

VST reserves the right to make changes at any time to prices and designs, or make additions or improvements with respect to its products, without incurring any obligation to modify or install same on previously manufactured products.

**Executive Order VR-201-X and VR-202-X**  
**Assist Phase II EVR System**

**Exhibit 7**  
**NOZZLE BAG TEST PROCEDURE**

Verification of the integrity of the vapor valve shall be performed on installed nozzles by use of the following test.

**Note:** The following procedure requires that all nozzles on a dispenser be bagged at the same time. Bagging only one nozzle on a dispenser during this procedure may bias the results toward compliance.

- a. Seal all nozzles on a dispenser in plastic bags, using tape or other means to secure the bag around the base of the nozzle (see Figure 7-1). Any plastic bag large enough to enclose the nozzle and having a thickness of no greater than 2 mils can be used.
- b. Initialize the dispenser for fueling as follows:
  1. Inform the station operator that you are running a test and ask the operator to initialize the dispenser; or
  2. Swipe a credit card in the dispenser card reader.
- c. Activate the Healy vacuum pump by lifting one of the nozzles off the dispenser holster and selecting a grade of fuel. **Do not dispense any fuel.**
- d. With the dispenser initialized and the vacuum pump activated, observe all bagged nozzles for 30 seconds. Any nozzle where the bag can be seen visually collapsing has a defective vapor valve and the dispenser shall be removed from service immediately.
- e. Record the test results on the "Nozzle Bag Test Results" form provided in this Exhibit. Districts may require use of an alternate form, provided that the alternate form includes the same minimum parameters.
- f. Remove the bags from all the nozzles tested and disengage the dispenser by returning the nozzles to the dispenser holsters.
- g. Repeat steps **a** through **f** for each dispenser.

**FIGURE 7-1**  
**Typical Example of Bagging a Nozzle**





**Executive Order VR-201-X and VR-202-X  
Assist Phase II EVR System**

**Exhibit 8  
REQUIRED ITEMS IN CONDUCTING TP-201.3**

The instructions below are required when conducting TP-201.3 for these systems. The tester shall document that each step was followed as indicated below and shall include this page of the Exhibit with the submission of TP-201.3 test results. Note that districts may require use of an alternate form to meet these requirements, provided the alternate form includes the same minimum parameters.

1. Prior to conducting TP-201.3, all four ball valves on the Healy Clean Air Separator (CAS) shall be closed, as shown in Figure 8-1 or Figure 8-1H, to isolate it from the Underground Storage Tank (UST) system to permit the pressurization of the UST system. Figure 8-1 applies to vertical Clean Air Separator installations and Figure 8-1H applies to horizontal Clean Air Separator installations.
2. Conducting TP-201.3 with any dispenser piping test valve in the closed position is **not** permitted. Any dispenser with a dispenser piping test valve in the closed position while conducting TP-201.3 will bias the test towards compliance.
3. After conducting TP-201.3, the four ball valves on the Healy Clean Air Separator (CAS) shall be locked in their normal operating positions as shown in Figure 2-2 or 2-2H, Exhibit 2 of Executive Orders VR-201 and VR-202. Figure 2-2 applies to vertical Clean Air Separator installations and Figure 2-2H applies to horizontal Clean Air Separator installations.

Required Steps	Verification (please circle)
1. All four Clean Air Separator ball valves closed before conducting TP-201.3	Yes No
2. All dispenser piping test valves open before conducting TP-201.3	Yes No
3. All four Clean Air Separator ball valves in normal operating positions after conducting TP-201.3.	Yes No

Test Company: \_\_\_\_\_ Facility Name: \_\_\_\_\_

\_\_\_\_\_  
Print Name (Technician)

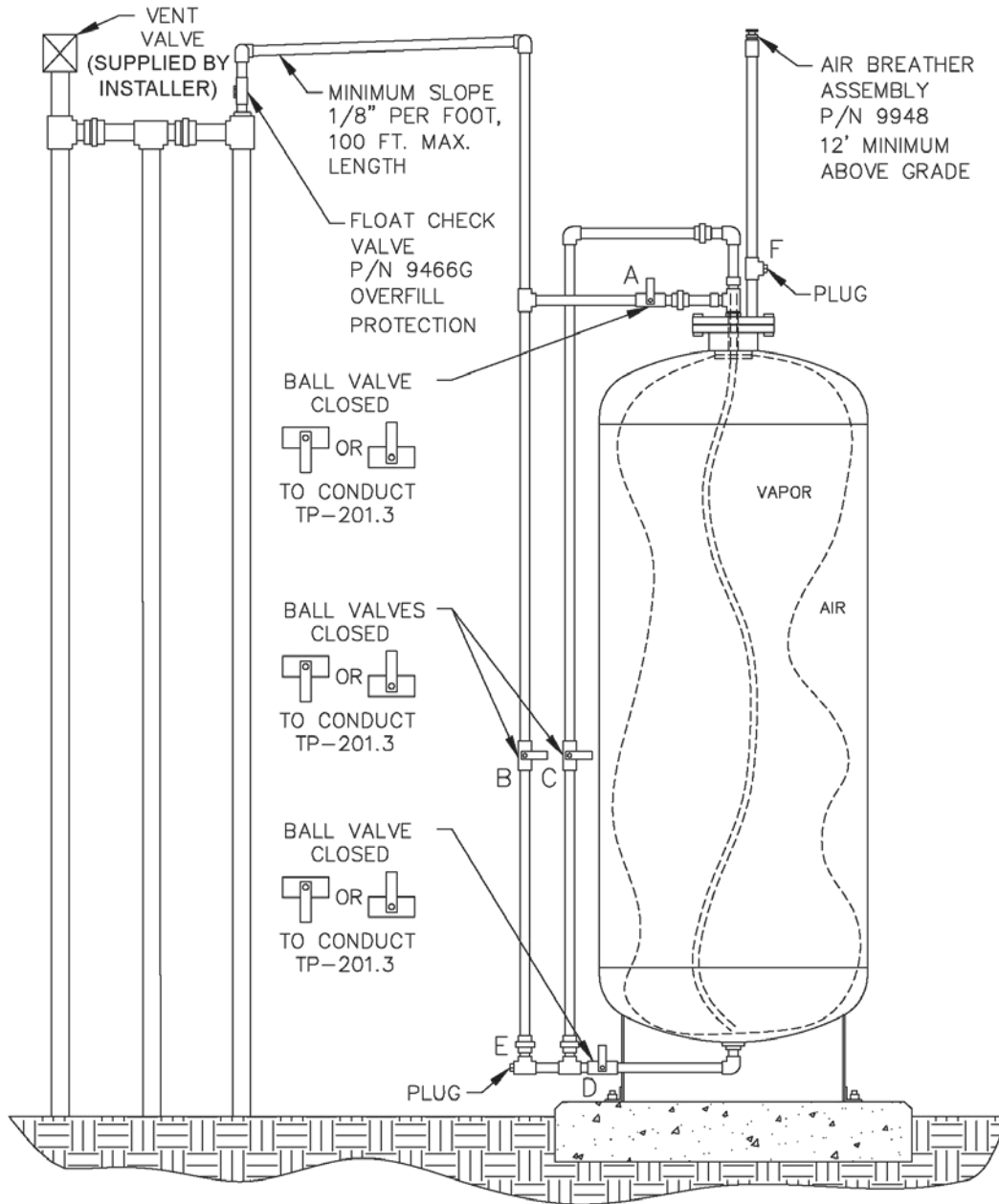
\_\_\_\_\_  
Signature

\_\_\_\_\_  
Date

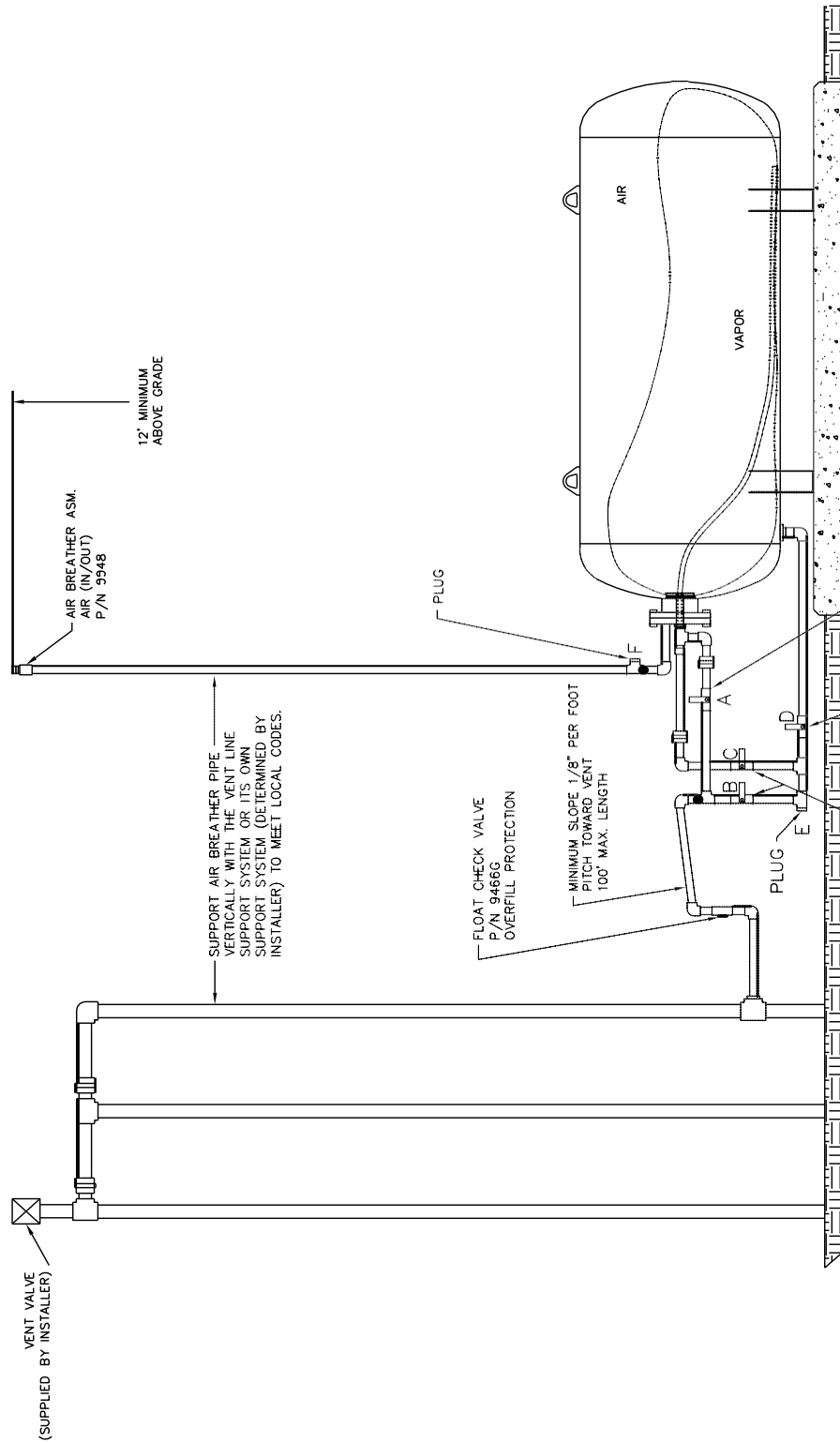
\_\_\_\_\_  
Technician Certification Number ICC or  
District Training Certification, as applicable)

\_\_\_\_\_  
Expiration Date

**FIGURE 8-1**  
**Configuration of Healy Clean Air Separator to Conduct TP-201.3**



**FIGURE 8-1H**  
**Configuration of Healy Clean Air Separator to Conduct TP-201.3**





**Executive Order VR-201-X  
Assist Phase II EVR System  
Not Including In-Station Diagnostic (ISD) Systems**

**Exhibit 9  
LIQUID CONDENSATE TRAP COMPLIANCE TEST PROCEDURE**

Definitions common to all certification and test procedures are in:

**D-200 Definitions for Vapor Recovery Procedures**

For the purpose of this procedure the term “ARB” refers to the California Air Resources Board, and the term “Executive Officer” refers to the ARB Executive Officer or his or her authorized representative or designate.

**1. PURPOSE AND APPLICABILITY**

This procedure is used to verify the automatic evacuation of the Liquid Condensate Trap (LCT), the Liquid Sensor Alarm, as well as Visual and Audible Alarm. This procedure provides a method to determine compliance with the LCT requirements specified in ARB Executive Order VR-201 and any subsequent amendments or revisions.

**2. PRINCIPLE AND SUMMARY OF TEST PROCEDURE**

This test procedure provides a method to determine the compliance of LCTs. Gasoline is added to the LCT until the Liquid Sensor activates an alarm. The gasoline in the LCT is then allowed to be evacuated until the Liquid Sensor Alarm has cleared.

**3. BIASES AND INTERFERENCES**

3.1. There shall be no Phase I deliveries to the gasoline underground storage tank (UST) while performing this test.

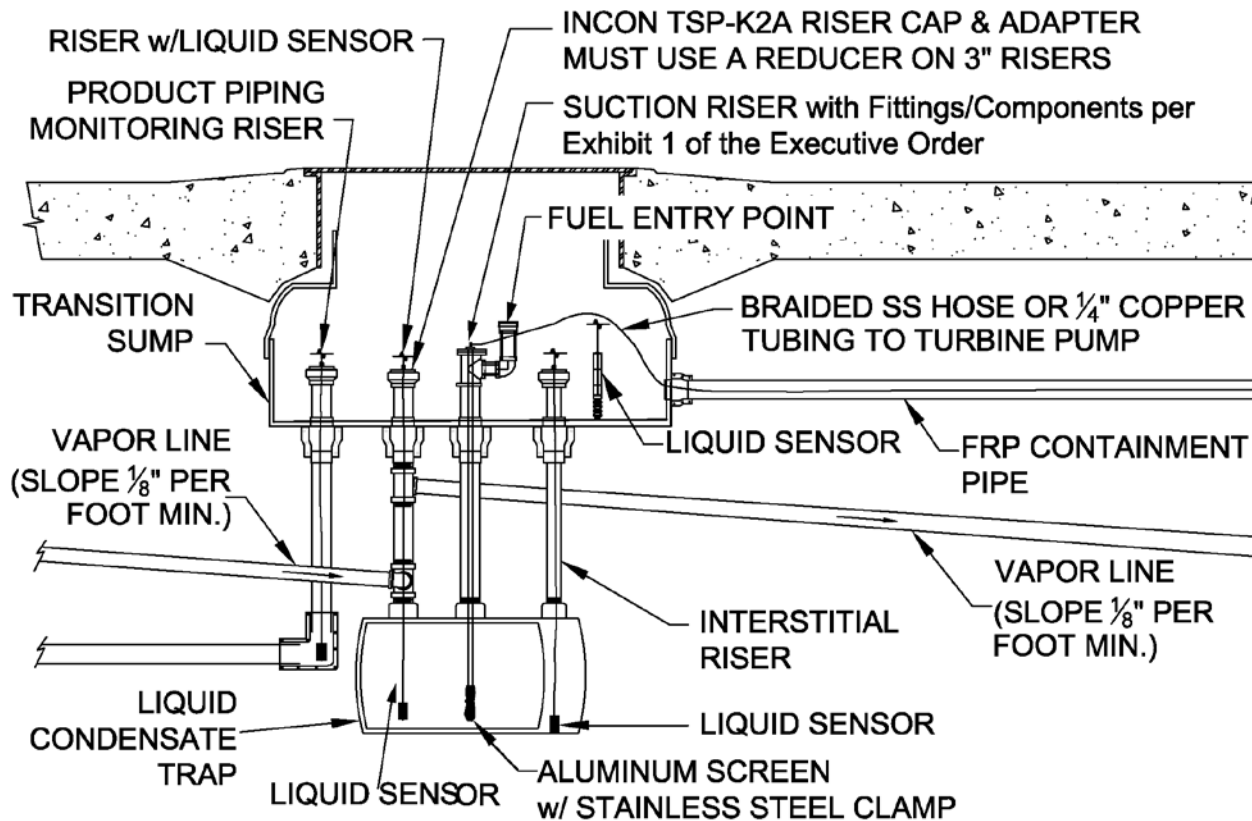
3.2. To ensure that the gasoline level is below the vapor tube on the side of the Turbine Pump the gasoline level in the UST (connected to the LCT) shall be below its ninety percent (90%) capacity level.

3.3. If Veeder-Root’s “Maintenance Tracker” is installed and enabled, access to the “diagnostic mode” and “set-up mode” of the TLS Console is prohibited unless a Maintenance Tracker Technician Key or personal computer equipped with Veeder-Root’s ISD Setup Tool Software Version 1.09 or higher is made available. Maintenance Tracker is an optional security device designed to prevent unauthorized tampering and clearing of Veeder-Root tank monitoring and ISD alarms. Maintenance Tracker resides within the TLS console and when enabled, a message will appear on the two line display of the TLS console. For additional instructions on how to access the desired parameters to complete this test procedure, see Exhibit 12; “Veeder-Root Maintenance Tracker (Optional)”.

#### 4. EQUIPMENT

5 gallon gasoline container and funnel or other method of pouring gasoline into the LCT.

**FIGURE 9-1**  
Typical Configuration



#### 5. PRETEST PROCEDURE

- 5.1. Notify the Certified Unified Program Agency (CUPA) prior to conducting this test procedure. A list of CUPAs can be found at [www.calepa.ca.gov/CUPA/Directory/default.aspx](http://www.calepa.ca.gov/CUPA/Directory/default.aspx).
- 5.2. No dispensing is allowed to any vehicle for the duration of the test.
- 5.3. Prior to testing, turn off the 87 grade turbine pump that is connected to the LCT suction line. (This is to keep from evacuating the LCT when adding gasoline for testing.)
- 5.4. Record LCT capacity in Form 1. A metal tag specifying LCT capacity is installed above the Fuel Entry Point (See Figures 9-1 and 9-2). If LCT capacity tag is not installed, the LCT is not in compliance with Exhibit 2 specifications.

## 6. TEST PROCEDURE:

- 6.1. Remove plug or cap on Fuel Entry Point installed at the suction riser of the LCT. Add gasoline through the open Fuel Entry Point (see Figures 9-1, 9-2 and 9-3).

For a typically sized LCT (9.9 gallons) this will be approximately 2 to 3 gallons of gasoline because the Liquid Sensor is installed at 2 inches from the bottom of the LCT (See Figure 9-4). For larger LCTs do not introduce more gasoline than 10 percent capacity of the LCT.

- 6.2. Verify the Liquid Sensor activates an Audible and Visual Alarm at the tank monitoring system control panel (control panel) and obtain a printout of the alarm/sensor status (see attached Appendix A for instructions on printing out the sensor alarm report for the Veeder-Root and INCON tank monitoring systems). Record results on Form 1 and attach printout of sensor status. After verification you may silence the Alarm.

If there is **No** Audible and Visual Alarm at the control panel within five (5) minutes, the LCT is not in compliance with Exhibit 2 specifications.

- 6.3. Verify Liquid Evacuation: Turn on the turbine pump that is connected to the LCT. Maintain this turbine pump operation (running) until the Liquid Sensor Alarm has cleared (*i.e.* turned off). Record results on Form 1 and attach printout of sensor status (see attached Appendix A for instructions on printing out the sensor alarm report for the Veeder-Root and INCON tank monitoring systems).

**Note:** To keep this turbine pump running you may need to authorize more than one fueling point during the testing period.

If the Liquid Sensor Alarm **does not clear**, (gasoline is not being evacuated), the LCT is not in compliance with Exhibit 2 specifications.

## 7. POST TEST PROCEDURE:

Reinstall plug or cap on the Fuel Entry Point using pipe thread sealant (*e.g.* pipe dope) **and** gasoline compatible PTFE tape (*e.g.* Teflon® tape, plumber's tape, or tape dope).

## 8. REPORTING RESULTS

Record all alarms and evacuation test results, as well as any failures on Form 1. Ensure all printouts from control panel are attached to Form 1. Districts may require the use of alternate forms provided that the alternate forms include the same parameters as identified in Form 1.

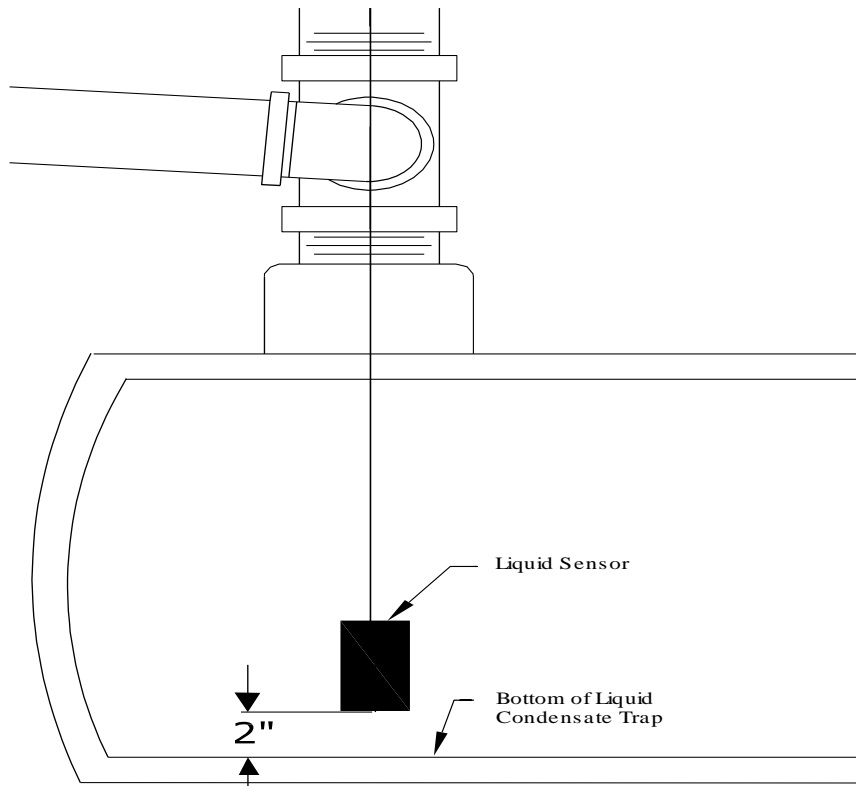
**FIGURE 9-2**  
Open Fuel Entry Point



**FIGURE 9-3**  
Adding Gasoline through Open Fuel Entry Point



**Figure 9-4**  
Liquid Sensor Height Setting



**FORM 1**  
**Required Data When Conducting the**  
**Liquid Condensate Trap Compliance Test Procedure**

Liquid Condensate Trap Compliance Test Form		
Service Company Name	Service Company's Telephone	
Date of Test	Certification #'s (as applicable) <u>Tech. Cert. #</u>	
Station Name and Address	<u>District Training Cert. #</u>  <u>ICC Cert. #</u>	
Service Technician (print name and sign)	District Permit #	
	Capacity of LCT in gallons	
Applicable Step Number	Requirement	Verification (please circle)
Step 3.2	Gasoline below 90 percent capacity level of UST?	Yes No
Step 5.3	Was tag with LCT capacity present above Fuel Entry Point?	Yes No
Step 6.2	Did Liquid Sensor activate an Audible Alarm as well as a Visual Alarm at control panel within five minutes after adding gasoline? (Attach alarm/sensor status printout to this Form.)	Yes No
Step 6.3	Did LCT evacuate and Sensor Alarms clear? (Attach alarm/sensor status printout to this Form.)	Yes No

## Appendix A

### VEEDER-ROOT LCT LIQUID SENSOR ALARM REPORT

There are many manufacturers of UST tank monitoring systems. The following are steps to print the Liquid Sensor Alarm History Report from the UST tank monitoring console for the Veeder Root TLS 350 Tank Monitoring System.

**NOTE:** When the LCT liquid sensors were originally programmed into the Tank Monitoring System the title given to those sensors included “LCT” in the name (for example if Liquid Sensor 10 is the High Level Liquid Sensor for the LCT it could have been named “L10 LCT High Liquid”).

#### Veeder Root TLS Console

Liquid Sensor Alarm History Reports are a record of the last three alarms for the liquid sensor selected. To print a liquid Sensor Alarm History Report **and** if Maintenance Tracker is enabled go to Exhibit 12 for instructions (to temporarily disable Maintenance Tracker) and then return to instructions below.

#### How to Obtain Liquid Condensate Trap (LCT) Alarm Print-outs

Step	Button Pushed	Number of Times Pushed	Readout
1	MODE	Multiple, Push until readout on right is shown	SETUP MODE
2	FUNCTION	Multiple, Push until readout on right is shown	LIQUID SENSOR SETUP
3	PRINT*	Once	LIQUID SENSOR SETUP
4	MODE	Multiple, Push until readout on right is shown	DIAG MODE
5	FUNCTION	Multiple, Push until readout on right is shown	ALARM HISTORY REPORT
6	STEP	Multiple, Push until readout on right is shown	L#: ALARM HISTORY
7	TANK/SENSOR	Multiple, until you reach the liquid sensor number assigned to the High Liquid Level in the LCT.	EXAMPLE: L10:LCT HIGH LIQUID
8	PRINT**	Once	EXAMPLE: L10:LCT HIGH LIQUID
9	MODE	Multiple, Push until readout on right is shown	MM DD, YYYY HH:MM:SS: XM ALL FUNCTIONS NORMAL

\* A printout will be generated displaying a read-out of all liquid sensors. Find the liquid sensor number assigned to the LCT.

\*\* A printout will be generated displaying the last three alarms for the Liquid sensor assigned to the LCT.

Appendix A (Continued)

INCON LCT LIQUID SENSOR ALARM REPORT

Follow the figures below to print a Sensor Report for LCT Alarm (Do not select Alarm History):

FIGURE 1

Press 'Home' button until you reach the screen shown below. Select 'Print' Option.

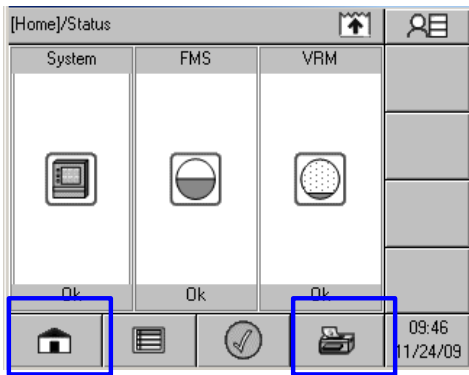


FIGURE 2

Select 'FMS' Option

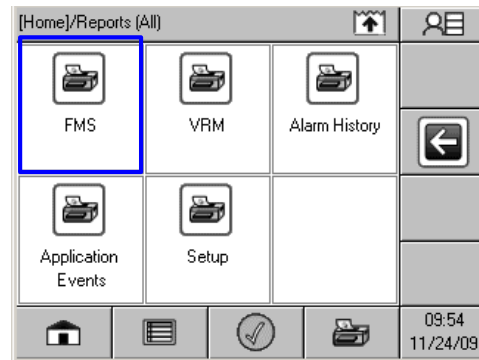


FIGURE 3

Select 'Sensor' Option. You may need to press the 'scroll' button to see the 'Sensors' selection on screen.

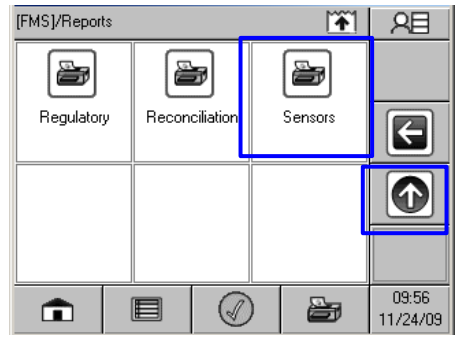


FIGURE 4

Select 'Print' Option.

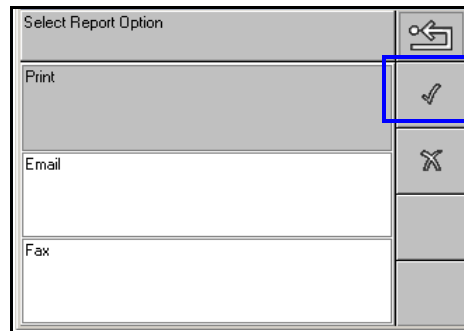


FIGURE 5

Select 'Last Available' Option. If your alarm does not show, select 'Last 30 Days' or current month and year Option. Be patient, printer takes a few minutes to print.





**Executive Orders VR-201-X and VR-202-X  
Assist Phase II EVR System**

**Exhibit 12  
VEEDER-ROOT MAINTENANCE TRACKER (Optional)**

Definitions common to all certification and test procedures are in:

**D-200 Definitions for Vapor Recovery Procedures**

For the purpose of this procedure the term “ARB” refers to the California Air Resources Board, and the term “Executive Officer” refers to the ARB Executive Officer or his or her authorized representative or designate.

**1. PURPOSE AND APPLICABILITY**

The Maintenance Tracker is an optional security device produced and marketed by Veeder-Root (VR) as a means to control and record access to their tank monitoring and ISD systems. Unless a specialized “technician key” is made available, the Maintenance Tracker prevents unauthorized personnel from gaining access to tank monitoring system diagnostic and setup modes which are necessary to clear system alarms. The technician key is a physical chip device, similar to a flash memory stick, which plugs into a companion RS232 card installed on the TLS Console.

Because the Veeder-Root In-Station Diagnostics (ISD) system resides within the TLS Console, the Maintenance Tracker also restricts access to ISD related parameters such as vapor pressure sensor values. When Maintenance Tracker is installed and enabled, the parameters listed in Table 1 (see below) are not accessible through the TLS Console unless a technician key is made available. An alternative way to access these parameters without a technician key is available through the RS232 interface by using a software program developed by Veeder-Root called “ISD Setup Tool” version 1.09 or higher.

The purpose of this procedure is to provide instructions on how to access ISD and tank monitoring parameters specified in Table 1 when Maintenance Tracker is installed and enabled. This procedure only applies to GDFs equipped with Veeder-Root ISD systems or Veeder-Root tank monitoring systems. This procedure shall be used in conjunction with the appropriate or applicable procedure listed in Table 1.

The term “TLS Console” used throughout this Exhibit includes but is not limited to TLS-350, TLS-350 Plus, TLS-350-R, Red Jacket ProMax, and Gilbarco EMC consoles, which are also referenced in Exhibit 1.

**TABLE 1**  
**Description of ISD and Tank Monitoring Parameters**  
**Restricted By Maintenance Tracker**

Executive Order	Exhibit	Description of Parameter
VR-201	<b>Exhibit 9:</b> Liquid Condensate Trap Compliance Test Procedure	Liquid Sensor Alarm History Report
VR-202	<b>Exhibit 9:</b> Veeder-Root ISD Operability Test Procedure	1. ISD Pressure Sensor Value 2. EVR/ISD Setup Report
VR-202	<b>Exhibit 11:</b> Liquid Condensate Trap Compliance Test Procedure	Liquid Sensor Alarm History Report

## 2. PRINCIPLE AND SUMMARY OF PROCEDURE

As indicated in section one, there are two ways to access ISD and tank monitoring parameters when Maintenance Tracker is installed and enabled; directly from the TLS Console using a key or indirectly through the RS232 interface using a specialized software program developed by Veeder-Root. This procedure provides access instructions for both methods. Option 1 provides instructions on how access the ISD and tank monitoring parameters directly from the TLS Console when a Maintenance Tracker key is available. Option 2 provides instructions on how to access the ISD and tank monitoring parameters through the RS232 interface by using the software program called "ISD Setup Tool" version 1.09 or higher.

## 3. BIASES AND INTERFERENCES

3.1. This procedure shall be used in conjunction with the applicable procedure listed in Table 1. All biases and interferences must be followed for each test procedure (or Exhibit) within ARB Executive Orders VR-201 and VR-202 and any subsequent amendments or revisions.

3.2. If the GDF is equipped with a wireless vapor pressure sensor (Veeder-Root part number 861190-201), the only way to access the parameters in Table 1 is to use Veeder-Root ISD Setup Tool version 1.10 or higher.

## 4. EQUIPMENT

4.1. Option 1: Maintenance Tracker Key, see Figure 3.

To acquire a Maintenance Tracker key contact Veeder-Root Technical Support at 1-800-323-1799 M-F 8am-7pm ET or [technicalsupport@veeder.com](mailto:technicalsupport@veeder.com).

- 4.2. Option 2: RS232 interface (standard on all ISD systems), laptop computer, cables, and Veeder-Root ISD Setup Tool version 1.09 or higher software. To acquire a copy of ISD Setup Tool version 1.09 or higher contact Veeder-Root Technical Support at 1-800-323-1799 M-F 8am-7pm ET or [technicalsupport@veeder.com](mailto:technicalsupport@veeder.com).

## 5. PRE ACCESS PROCEDURE

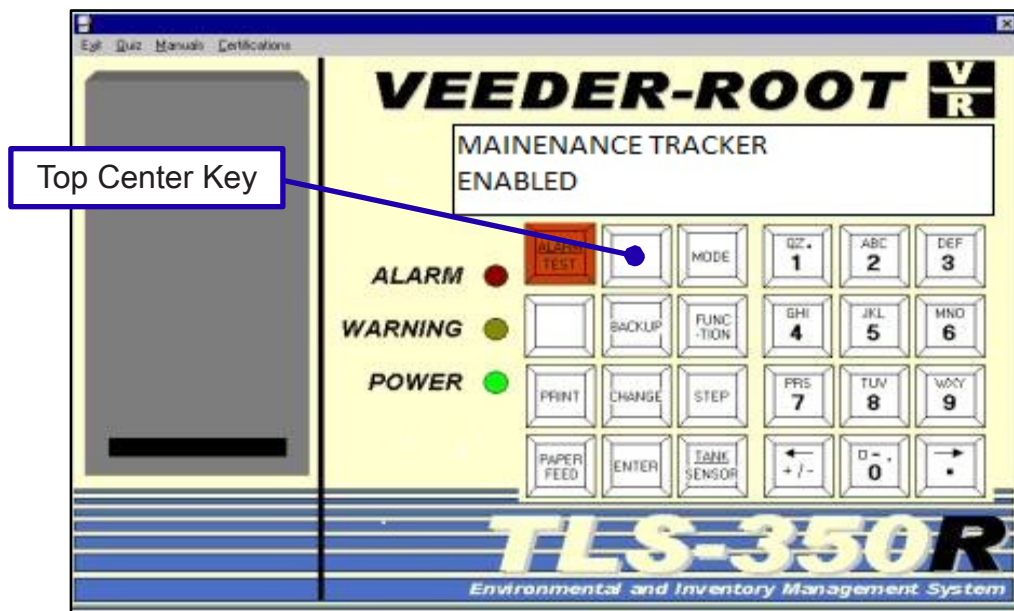
This procedure shall be used in conjunction with the applicable procedure listed in Table 1. All pretest procedures must be followed for each test procedure (Exhibit) within ARB Executive Orders VR-201 and VR-202 and any subsequent amendments or revisions.

## 6. ACCESS PROCEDURE

- 6.1. Option 1: Accessing ISD and tank monitoring parameters through the TLS Console when Maintenance Tracker is enabled and key is available:

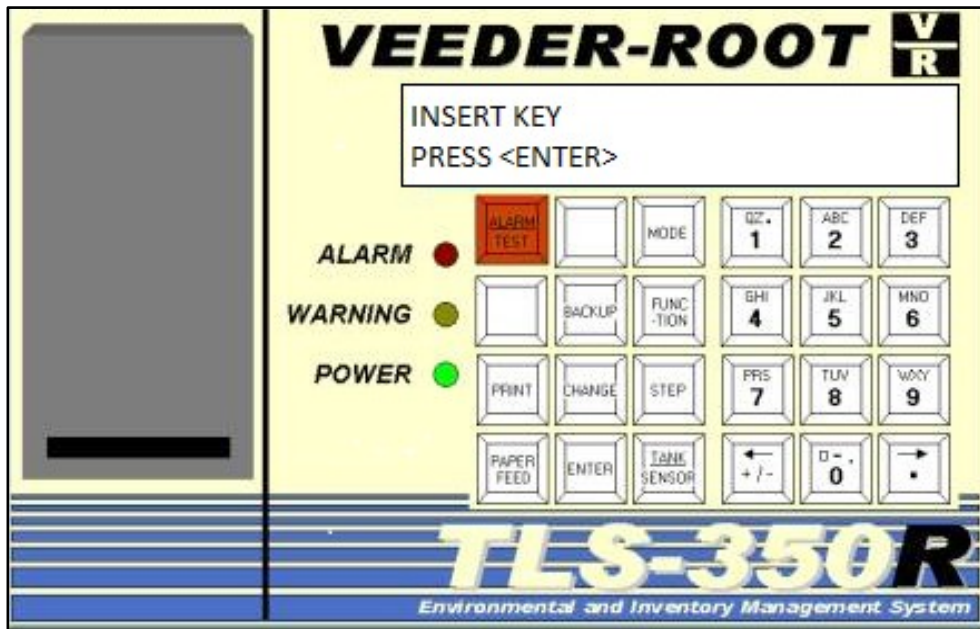
- 6.1.1. When the top center key on the Veeder-Root TLS Console is pressed, "MAINTENANCE TRACKER ENABLED" is displayed. See Figure 1.

**FIGURE 1**  
Maintenance Tracker Enabled on TLS Console



- 6.1.2. In order to gain access to the diagnostic and setup menus, the user would then press the step key. The display will now read: "INSERT KEY PRESS <ENTER>". See Figure 2.

**FIGURE 2**  
Maintenance Tracker Enabled on TLS Console



- 6.1.3. The Maintenance Tracker key (see Figure 3) must be plugged into a RS-232 port underneath the TLS Console within one minute or system will timeout. See Figure 4.

**FIGURE 3**  
Maintenance Tracker Key

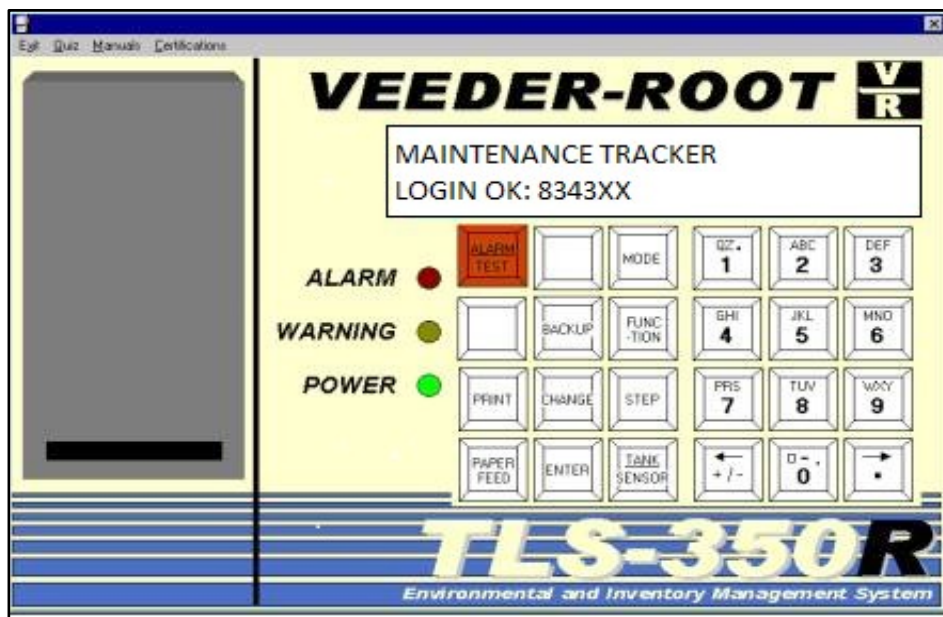


**FIGURE 4**  
Maintenance Tracker Key Plugged Into TLS Console



- 6.1.4. Once the Key is inserted and recognized, the TLS Console display will now display "MAINTENANCE TRACKER LOGIN OK: XXXXXX". The XXXXXX is the Technician Identification Number. See Figure 5. The feature has now been temporarily disabled. Any key pressed will now display "ALL FUNCTIONS NORMAL".

**FIGURE 5**  
Maintenance Tracker Temporarily Disabled



- 6.1.5. Return to the Exhibit listed in Table 1 to continue the test (Exhibit) in progress.
- 6.2. Option 2: Accessing ISD parameters through the RS232 interface when Maintenance Tracker is enabled yet key is not available:
  - 6.2.1. Connect a PC or Laptop equipped with Veeder-Root ISD Setup Tool version 1.09 or higher software per instructions in IOM 10 of VR-202
  - 6.2.2. Start the ISD Setup Tool version 1.09 or higher software on the laptop or PC.
  - 6.2.3. Click the check mark or enter password when prompted to “Enter Password”. See Figure 6.

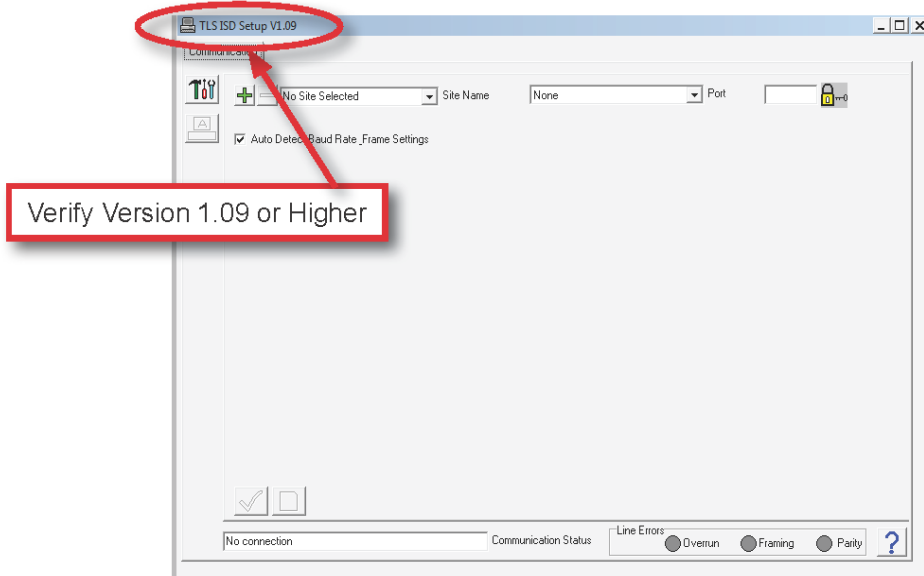
**FIGURE 6**  
**Veeder-Root Setup Tool-Enter Password**



- 6.2.4. Verify that Veeder-Root ISD Setup Tool version 1.09 or higher is being used. See Figure 7.

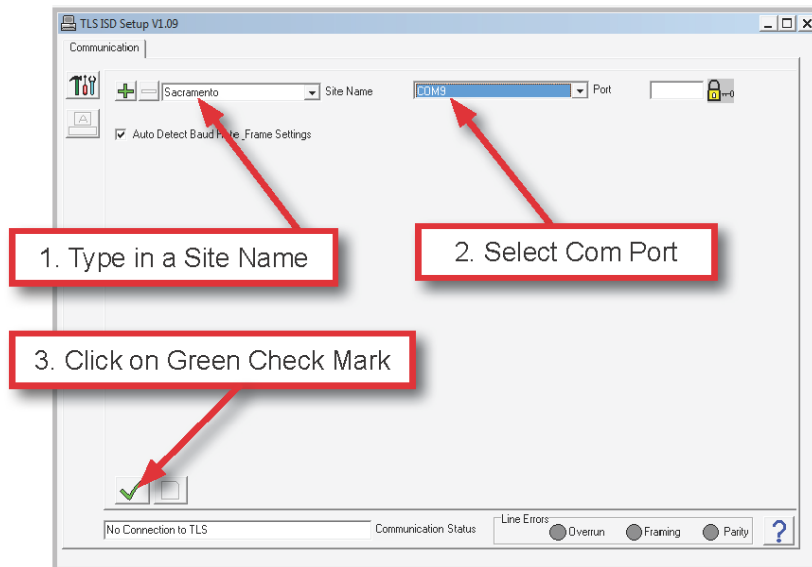
**NOTE:** Figures 7 through 17 are typical views of the laptop screen that may differ for different versions of ISD Setup Tool version 1.09 and higher.

**FIGURE 7**  
**Veeder-Root ISD Setup Tool Version 1.09**



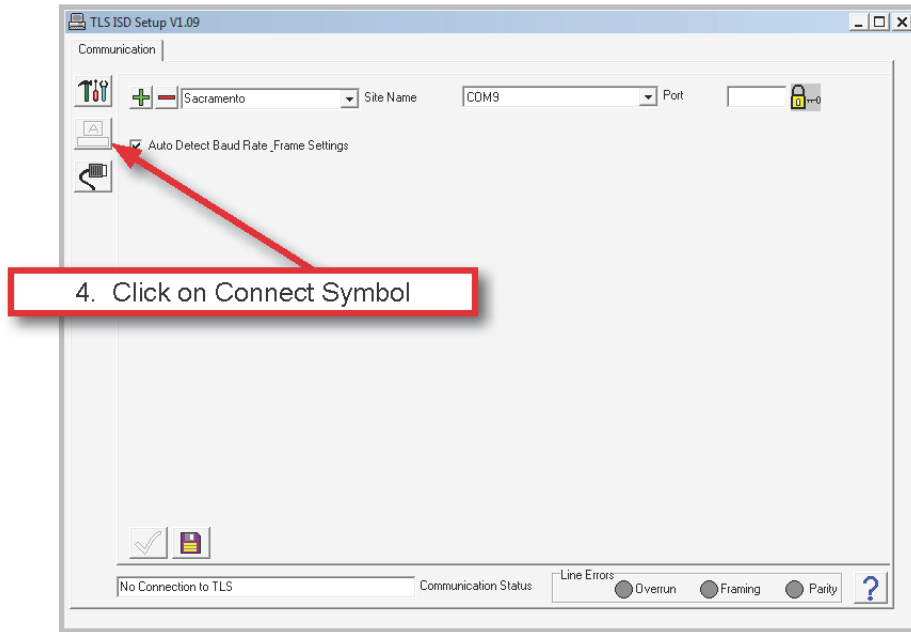
6.2.5. Type in the site name. Then select the communication port and click on the green check mark. See Figure 8.

**FIGURE 8**  
**Veeder-Root Setup Tool-Site Name**



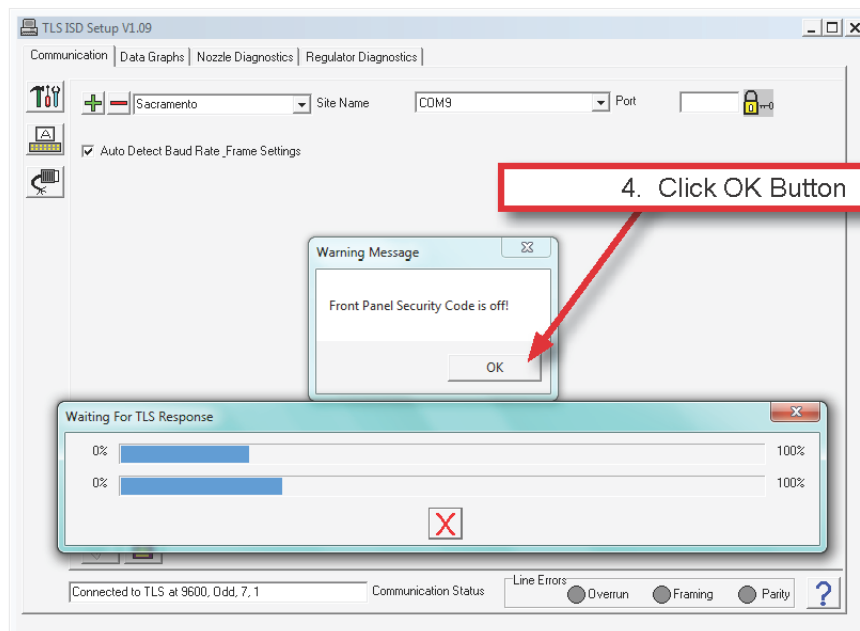
6.2.6. Click on the connect symbol. See Figure 9.

**FIGURE 9**  
**Veeder-Root Setup Tool-Connecting**



6.2.7. Click OK on the “Warning Message” and then click on the Computer Icon. Software will now connect to the TLS Console. See Figure 10.

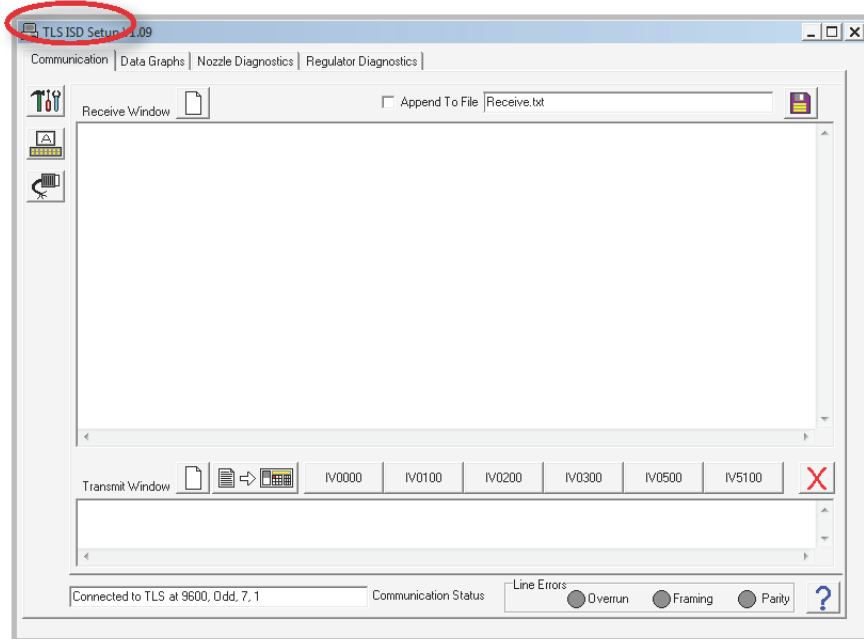
**FIGURE 10**  
**Veeder-Root Setup Tool-Connecting**





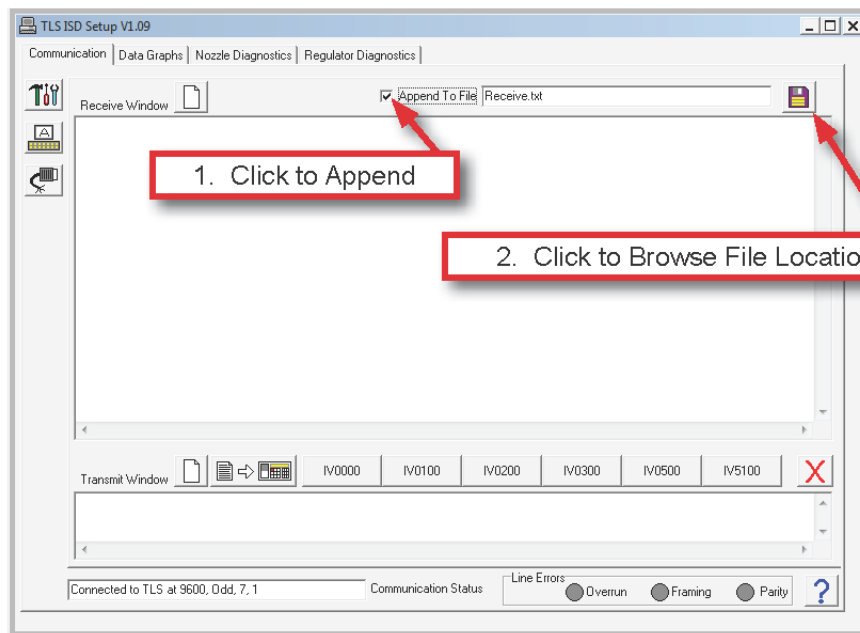
6.2.8. Once connected. Select the “Communication” Tab from the top of the screen. See Figure 11.

**FIGURE 11**  
**Veeder-Root Setup Tool-Saving File**



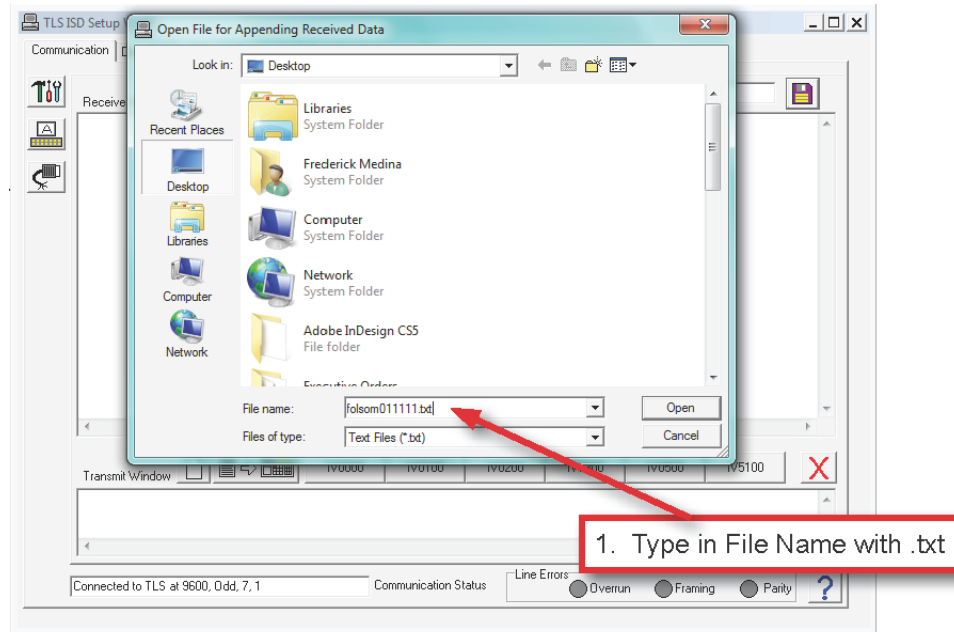
6.2.9. To save reports to a file, click on box to “Append to File”. Then click to browse file location. See Figure 12.

**FIGURE 12**  
**Veeder-Root Setup Tool-Saving File**



6.2.10. To save reports type in a file name with a .txt extension. See Figure 13.

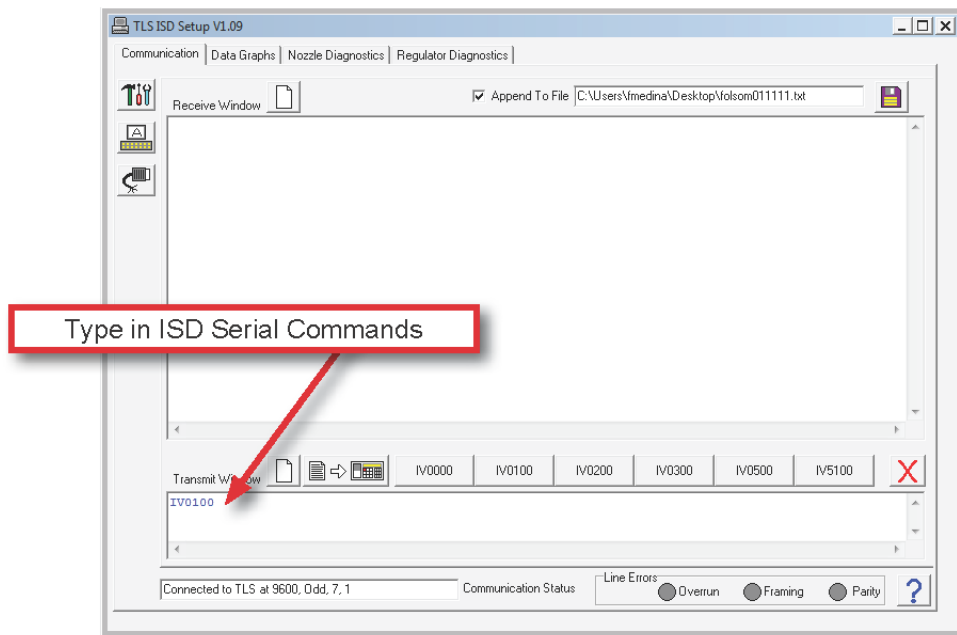
**FIGURE 13**  
**Veeder-Root Setup Tool-Saving File**



6.2.11. Serial commands can now be entered and results will be saved in file selected above. See Figure 14. The Liquid Sensor Alarm History Report parameters for VR-201 (Exhibit 9) and VR-202 (Exhibit 11) can be accessed by using the following serial command: **I302SS**

The ISD Setup Report for VR-202 (Exhibit 9) can be accessed by using the following serial command for the Hose Table Data: **IV4A00**. The vapor flow meter serial numbers can be accessed with the following serial command: **IV8300**.

**FIGURE 14**  
**Veeder-Root Setup Tool-Serial Commands**



6.2.12. The parameters are listed in Table 2 (see below) can be accessed by selecting the “Regulator Diagnostics” tab from the top of the menu. See Figure 15.

**NOTE:** Some of the parameters listed do not apply to the Assist Phase II EVR System. The parameters appear in the PC Setup Tool screen

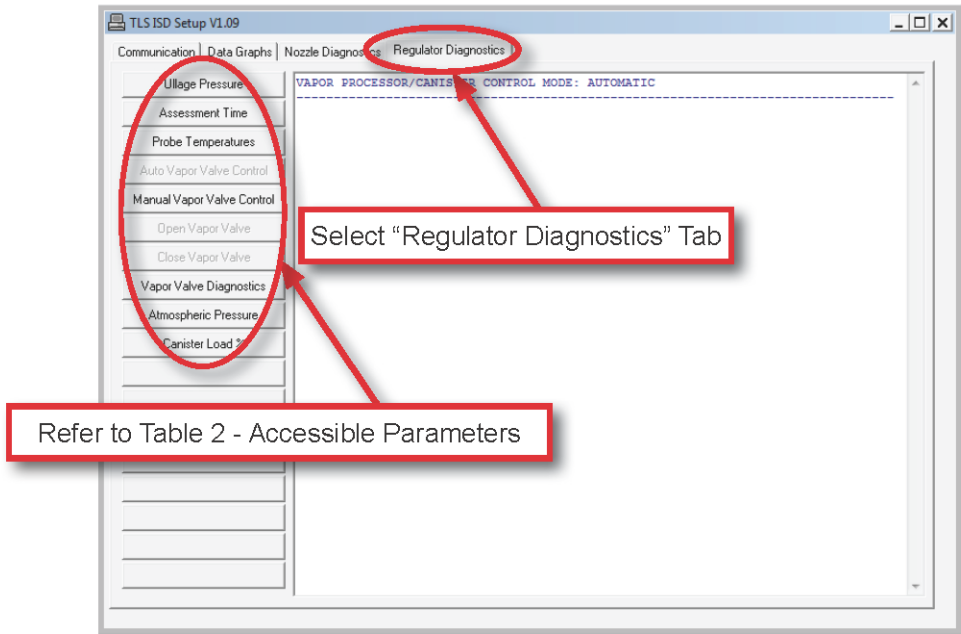
since the tool is also used for the Balance Phase II EVR Systems. Only the Ullage Pressure and Assessment Time are used in VR-201 and VR-202.

**TABLE 2**  
**Parameters Accessible Via Regulator Diagnostics Tab**

Parameter
Ullage Pressure
Assessment Time
Probe Temperature*
Automatic Vapor Valve Control*
Manual Vapor Valve Control-Open/Close*
Vapor Valve Diagnostics*
Atmospheric Pressure*
Canister Load %*

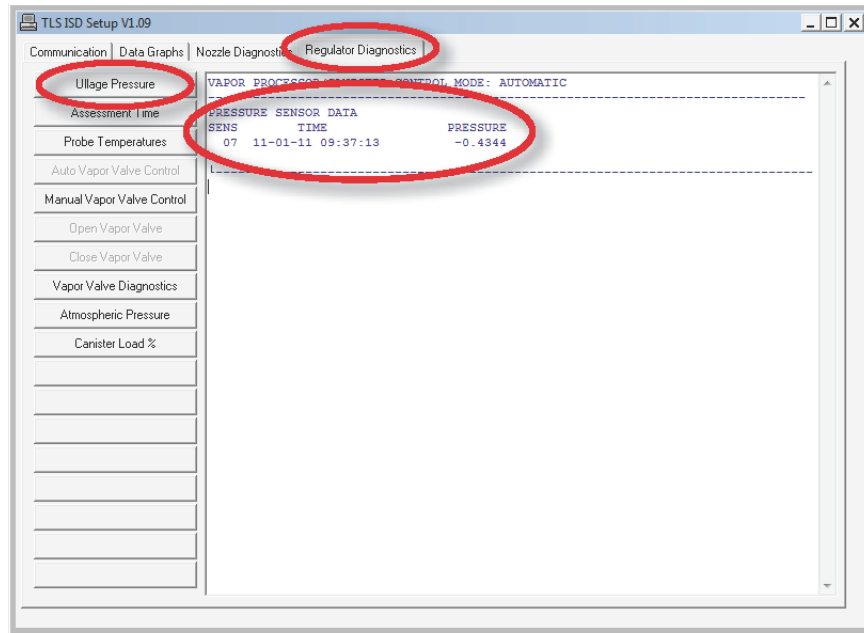
\*These Parameters do not apply to the Assist Phase II EVR System

**FIGURE 15**  
**Veeder-Root Setup Tool-Regulator Diagnostics**



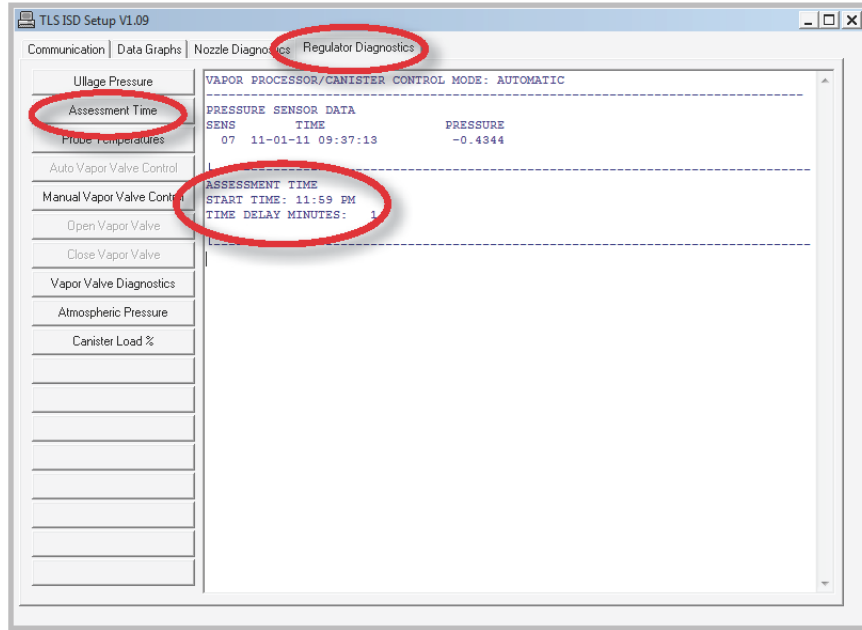
6.2.13. To access the current ullage pressure reading, select the “Regulator Diagnostics” tab at the top of the screen and select “Ullage Pressure” on the left side of the screen. See Figure 16.

**FIGURE 16**  
**Veeder-Root Setup Tool-Ullage Pressure**



6.2.14. To access current ISD assessment time, select the “Regulator Diagnostics” tab at the top of the screen and select “Assessment Time” on the left side of the screen. See Figure 17.

**FIGURE 17**  
**Veeder-Root Setup Tool-ISD Assessment Time**



**Executive Orders VR-201-X and VR-202-X  
Assist Phase II EVR System**

**Exhibit 13  
VAULTED ABOVEGROUND STORAGE TANK CONFIGURATION (Optional)**

This exhibit allows an alternate tank storage configuration for the Assist EVR system. A vaulted aboveground storage tank (AST) may be installed in substitute for a conventional underground storage tank (UST). The figures in this exhibit provide examples of typical vaulted AST configurations.

**General Specifications**

1. Alternate typical vaulted AST configurations for the Assist Phase II EVR System are shown in Figures 13-1, 13-2, 13-3, and 13-4.
2. Unless otherwise specified in this Executive Order (EO), the vaulted AST configuration shall comply with the applicable performance standards and performance specifications in CP-201. The emergency vent shall be a certified vent listed in the Phase I EVR Executive Orders for ASTs and shall be installed, operated, maintained and meet any performance requirements specified in the applicable AST Executive Order.

**Figure 13-1: Front Sectional Views of Typical Vaulted AST**

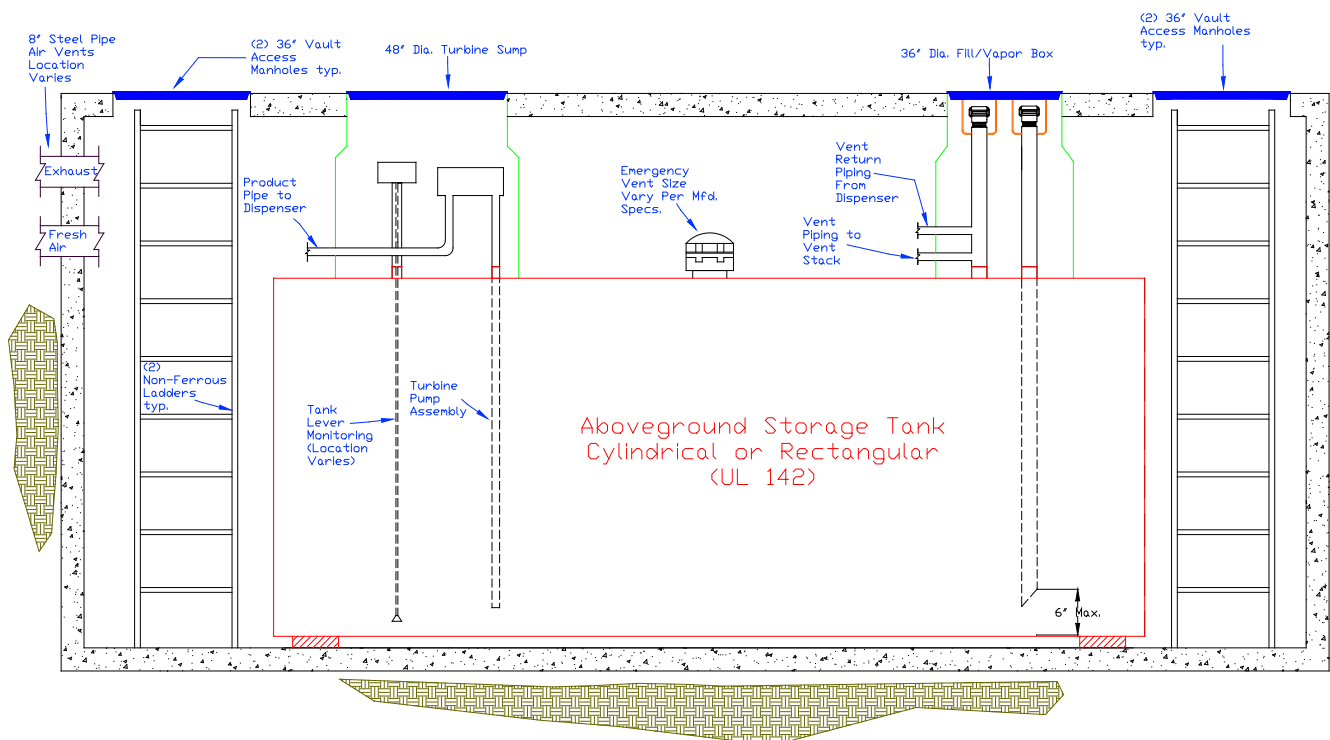


Figure 13-2: Top Sectional View of Typical Vaulted AST

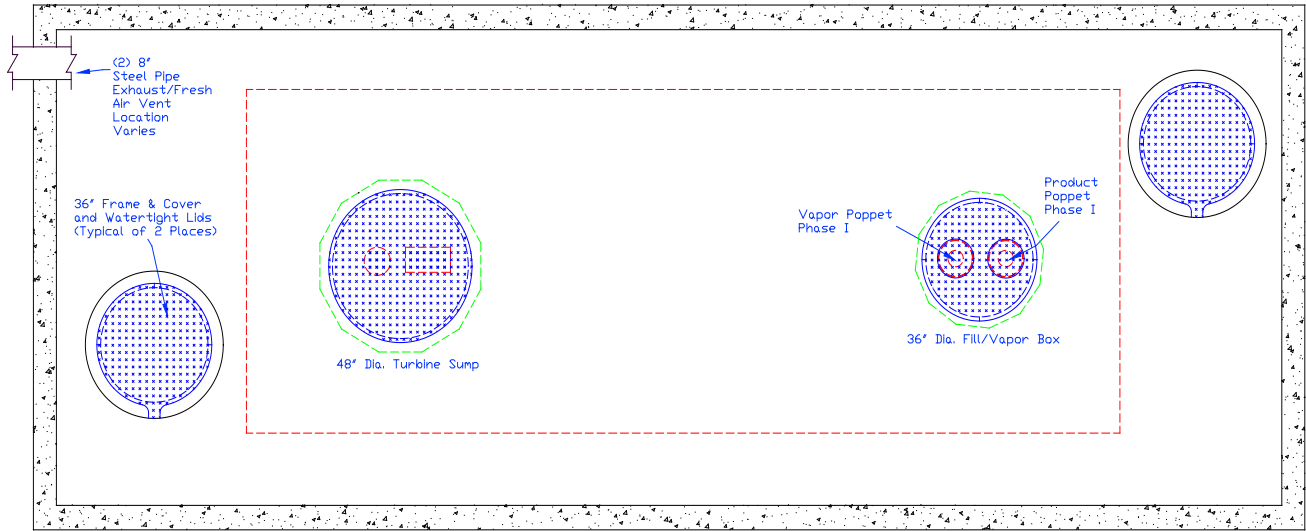
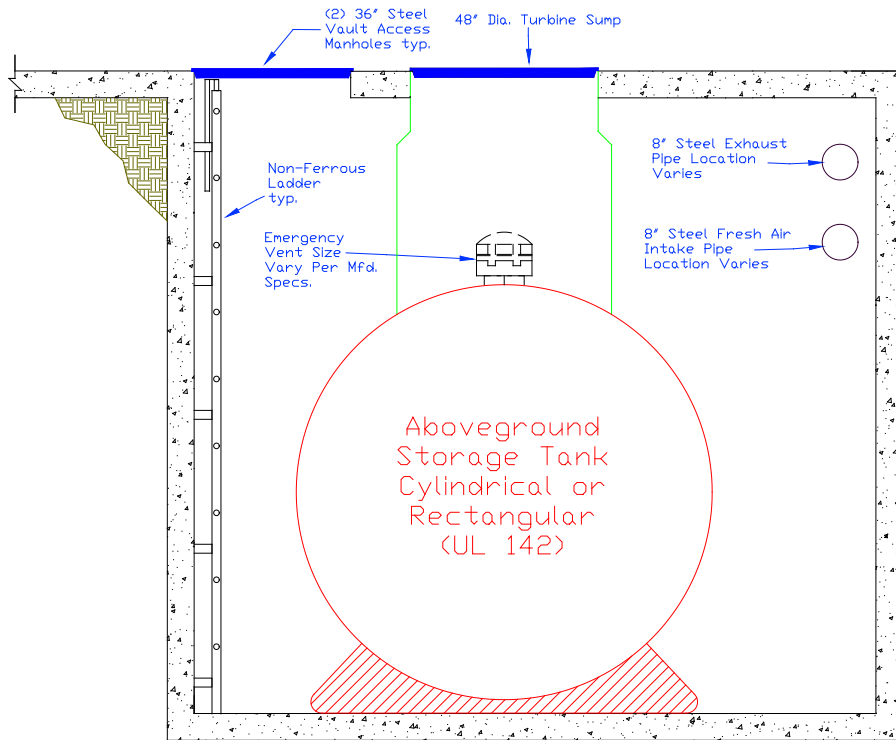
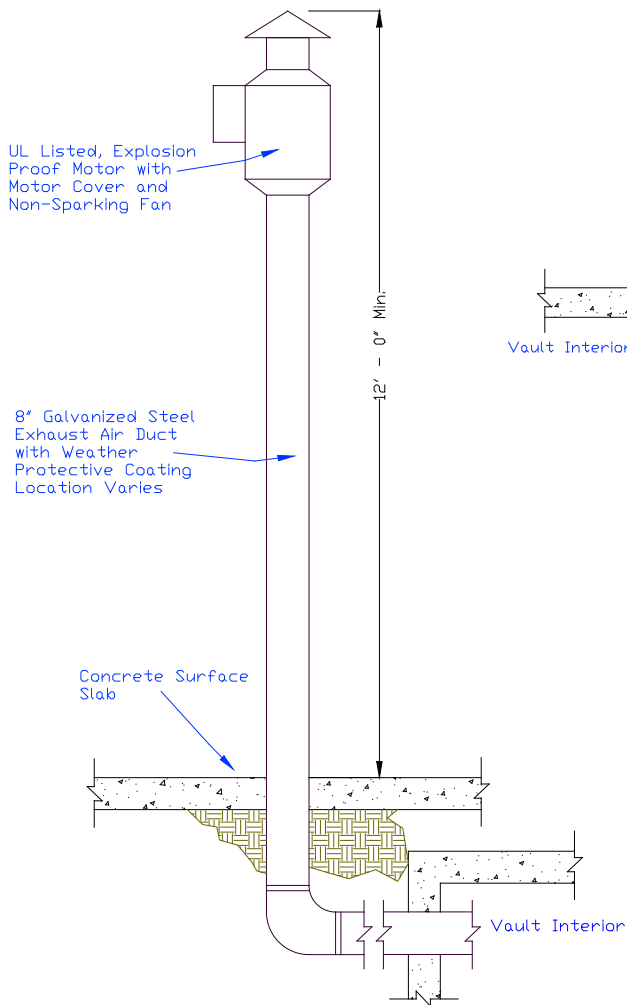


Figure 13-3: End Sectional View of Typical Vaulted AST

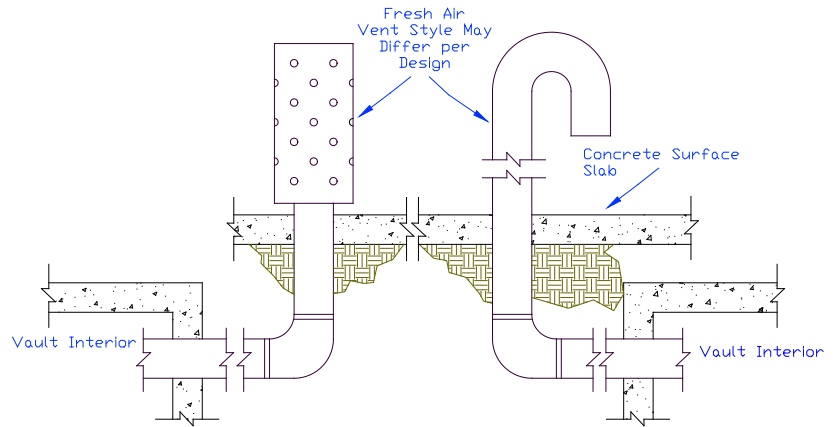




**Figure 13-4: Sectional Views of Typical Vaulted AST (Ventilation)**



**Figure 13-4a: Typical Exhaust**



**Figure 13-4b: Typical Fresh Air Intake**

**Executive Order VR-201-X and VR-202-X  
Assist Phase II EVR System**

**Exhibit 14  
Dispenser Integrity Test**

Definitions common to all certification and test procedures are in:

**D-200 Definitions for Vapor Recovery Procedures**

For the purpose of this procedure, the term "CARB" refers to the California Air Resources Board, and the term "Executive Officer" refers to the CARB Executive Officer, or his or her authorized representative or designate.

**1. PURPOSE AND APPLICABILITY**

This test procedure is used to verify and check the integrity of the vapor line and hanging hardware of vacuum assist dispensers at gasoline dispensing facilities (GDF).

**2. PRINCIPLE AND SUMMARY OF TEST PROCEDURE**

- 2.1** A mechanical or digital vacuum gauge (vacuum gauge) is installed into a test port within an assist GDF dispenser. The dispenser is authorized to dispense fuel so that the VP1000 vacuum pump can start running. Once the vacuum gauge has reached a stable value, the ball valve is turned to the closed position. The vacuum gauge is observed to see whether the initial vacuum value decreases which will determine the integrity of the vapor lines and the associated hanging hardware of the dispenser.
- 2.2** **There will be no liquid fueling in this procedure.**
- 2.3** The test procedure requires opening the doors or side panels of a dispenser to access the test port and ball valve.
- 2.4** The test procedure will be conducted on the side of the dispenser that has the easiest access to the test port and ball valve. The dispenser will be coned or closed off during the test.
- 2.5** The remainder of the GDF and dispensers may remain open while conducting this test procedure.

### 3. BIASES AND INTERFERENCES

- 3.1 Leaking or damaged connectors and hoses associated with the vacuum gauge test assembly will bias the test results resulting in a failure non-related to the integrity of the dispenser.
- 3.2 Threaded pipe fittings must use gasoline vapor rated Teflon tape, pipe sealant or equivalent to ensure leak free connections.
- 3.3 Fueling or engaging the nozzle's vapor valve during this test will bias the test results resulting in a failure non-related to the integrity of the dispenser.
- 3.4 This test procedure cannot be conducted if the initial vacuum reading is less than 60.0 inH<sub>2</sub>O (this means a vacuum value between 0 – 60 inH<sub>2</sub>O).

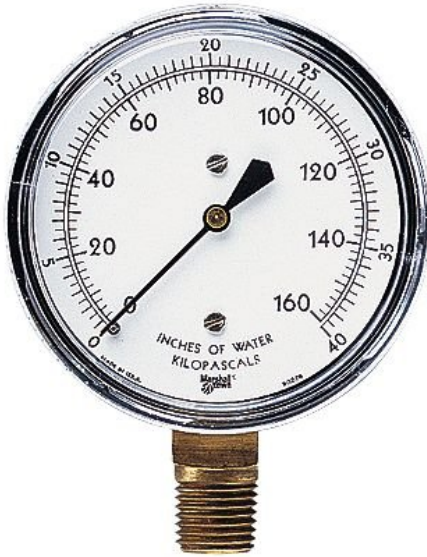
### 4. SENSITIVITY, RANGE, AND ACCURACY

- 4.1 The mechanical or digital vacuum gauge shall have a minimum vacuum range of 0 – 100 inH<sub>2</sub>O.
- 4.2 The minimum readability of the vacuum gauge shall be 2.0 inH<sub>2</sub>O.
- 4.3 Accuracy is not required by this test procedure but whether or not the dispenser being tested can hold a vacuum for a predetermined period of time.

### 5. EQUIPMENT

- 5.1 **Mechanical or Digital Vacuum Gauge.** Use vacuum gauge to measure the vacuum of the VP1000 vacuum pump. Vacuum gauge must have a range of 0 – 100 inH<sub>2</sub>O and minimum readability of 2.0 inH<sub>2</sub>O. See Figure 5-1.
- 5.2 **Test Assembly.** This test assembly consists of a hose and fittings that are attached to the vacuum gauge and used to install onto the test port. The test assembly will ease in the installation of the vacuum gauge in hard to reach locations. See Figure 5-2.
- 5.3 **Stopwatch.** Use a stopwatch accurate to within 0.2 seconds.
- 5.4 **Thread Sealant.** Use gasoline vapor rated Teflon tape, pipe sealant or equivalent to ensure a leak-tight seal between threaded fittings.

**FIGURE 5-1**  
**Typical Mechanical and Digital Vacuum Gauges**



Typical Mechanical Gauges



**Typical Digital Gauge**

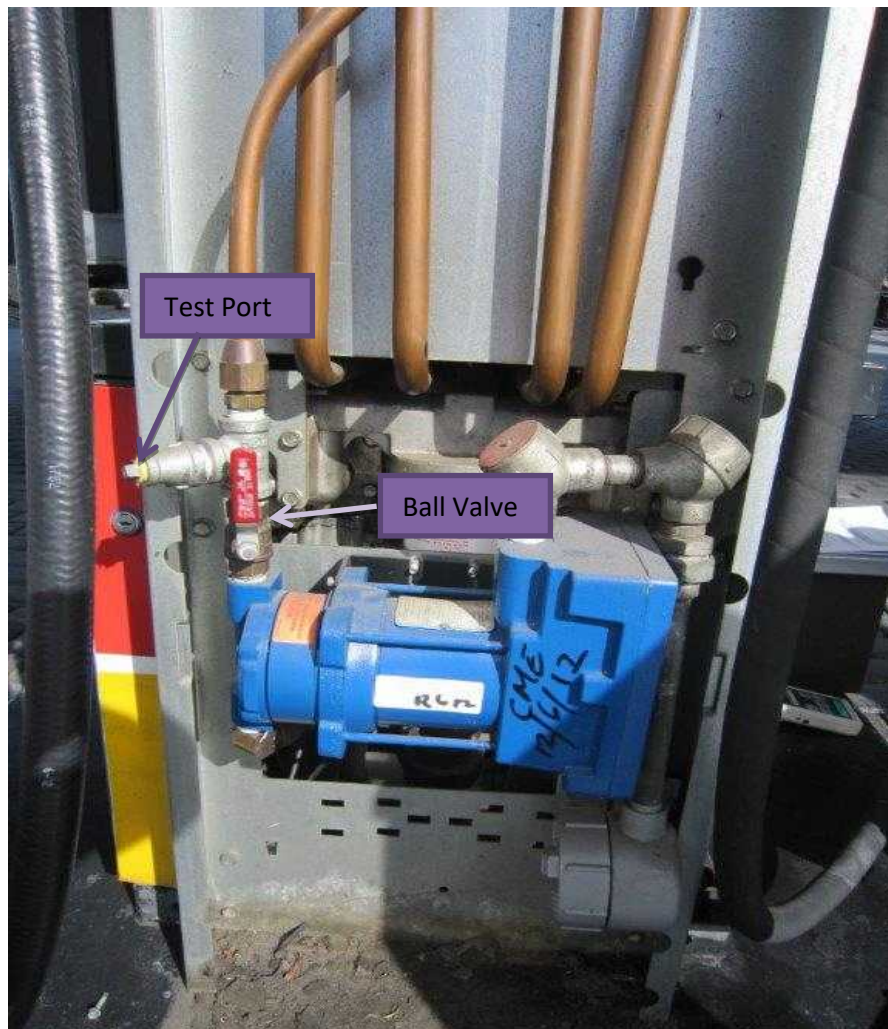
**FIGURE 5-2**  
Typical Test Assembly



## 6. PRE-TEST PROCEDURES

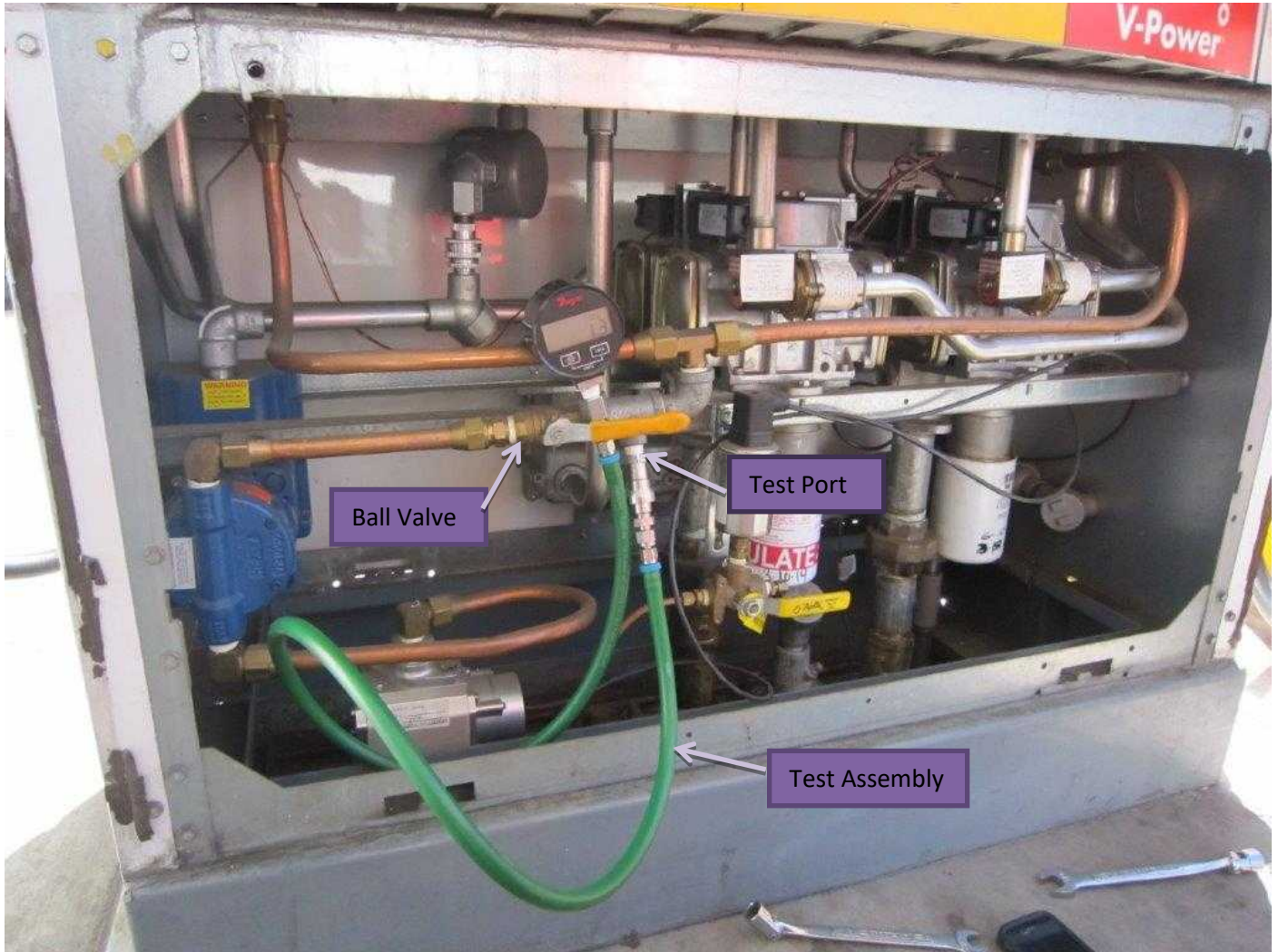
- 6.1 Close off dispenser to be tested by placing safety cones on both sides.
- 6.2 Use the appropriate dispenser key to open the dispenser panels and determine which side of the dispenser has the best access to test port and ball valve. Some dispensers require removal of a side panel in order to access the test port and ball valve. See Figure 6-1.
- 6.3 **No liquid fueling will be allowed at the dispenser being tested.**

**FIGURE 6-1**  
**Typical Test Port and Ball Valve**



**Side Panel Removed**

**Figure 6-1 (continued)**  
**Typical Test Port and Ball Valve**



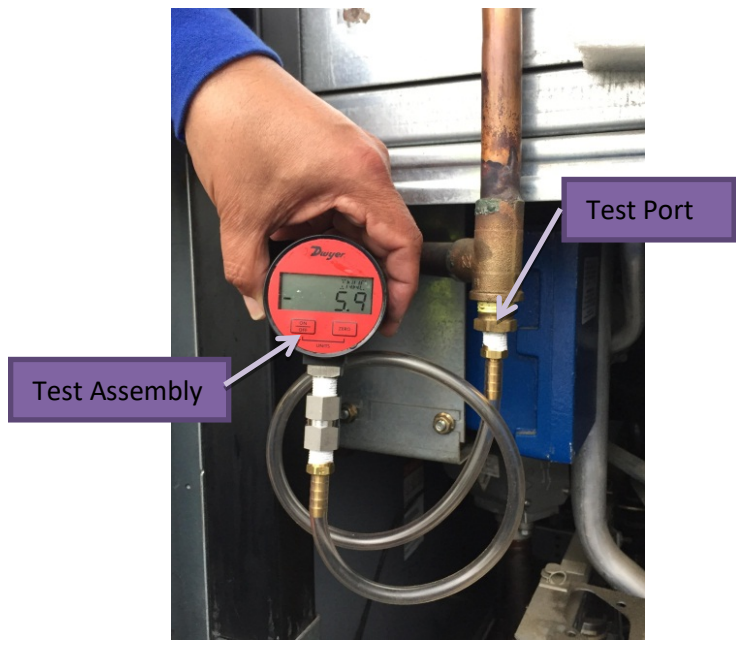
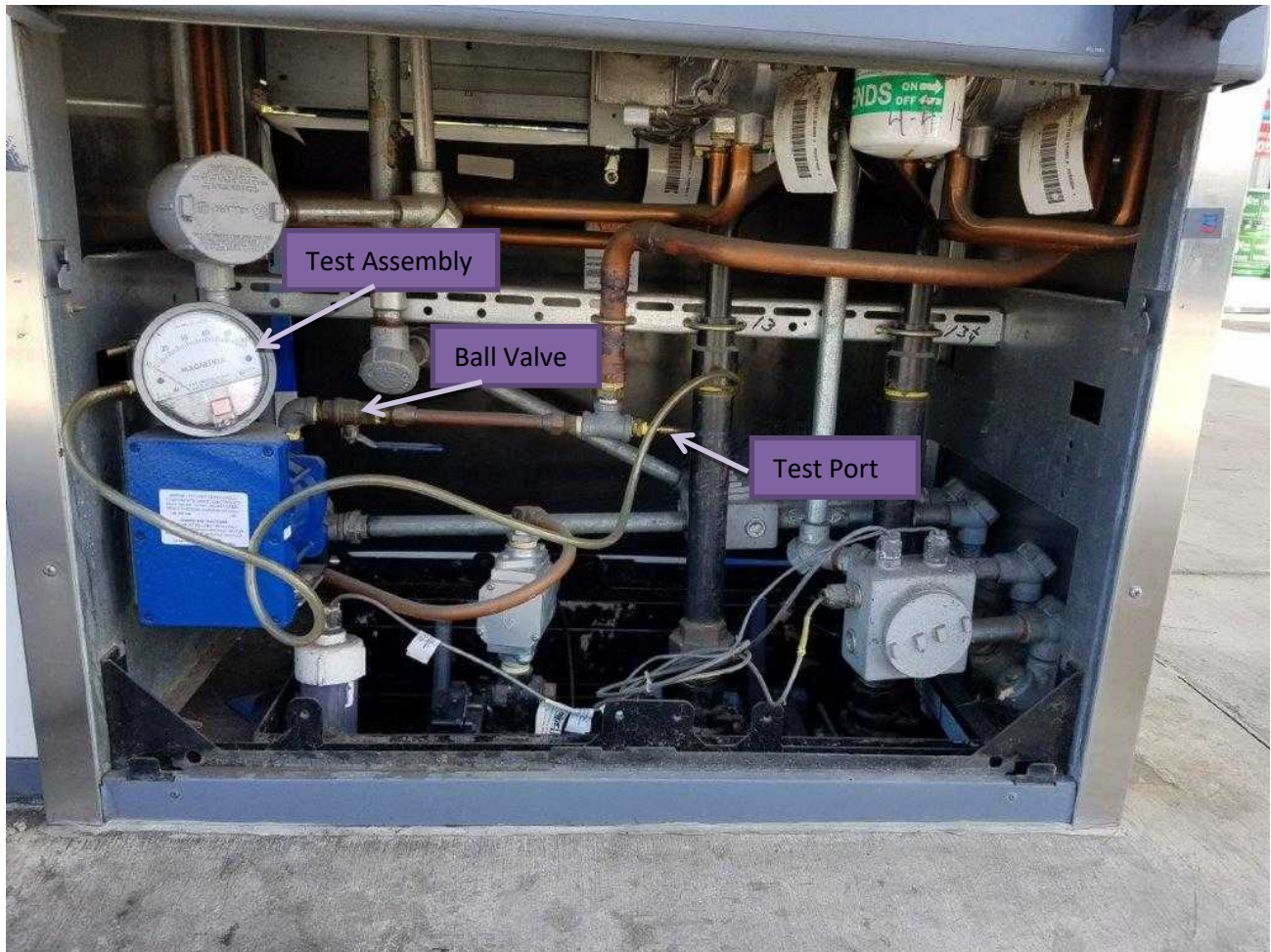
**Front Panel Removed**



## 7. TEST PROCEDURES

- 7.1 Remove the test port plug being careful not to drop the test port plug in the liquid containment area below.
  - 7.2 The test port plug has a ¼" NPT thread. Apply appropriate gasoline vapor rated Teflon tape, sealant or equivalent on the test assembly thread.
  - 7.3 Install the test assembly onto the test port. Tighten the test assembly using an appropriate wrench. See Figure 7-1.
  - 7.4 Reset the stopwatch, if appropriate.
  - 7.5 Use the GDF attendant or other appropriate means to authorize fueling for one of the nozzles on the dispenser being tested.
  - 7.6 Remove nozzle from its holder and select one of the fuel grades on the dispenser being tested.
  - 7.7 The VP1000 vacuum pump will start running. Observe the reading on the vacuum gauge and wait for the value to stabilize. This will usually take less than 15 seconds.
  - 7.8 Turn the ball valve to the closed position (the ball valve is closed when the handle on the ball valve is perpendicular to the vapor tubing).  
  
**Note:** This test procedure cannot be conducted if the initial vacuum reading is less than 60.0 inH<sub>2</sub>O (this means a vacuum value between 0 – 60 inH<sub>2</sub>O). This could indicate a problem with the VP1000 vacuum pump or other dispenser issues. Testing the dispenser cannot be conducted until issue is resolved.
  - 7.9 Reinstall the nozzle into its holder. VP1000 vacuum pump will stop running.
  - 7.10 Transfer the initial observed vacuum reading onto the worksheet and start the stopwatch.
  - 7.11 Observe and record the final vacuum reading after 60 seconds.
- Note:** Leaks must be repaired when the vacuum reading falls more than 4.0 inH<sub>2</sub>O in 60 seconds. Repair leaks as recommended in IOM Section 8. Retest until all leaks have been repaired.

**Figure 7-1**  
**Typical Test Assembly Installed Onto Test Port**



## **8. POST-TEST PROCEDURES**

- 8.1** Turn the ball valve to the open position (the ball valve is open when the handle on the ball valve is in-line with the vapor tubing).
- 8.2** Remove the test assembly. Apply the port plug with gasoline vapor rated Teflon tape, sealant or equivalent and reinstall and tighten the port plug on the test port using an appropriate wrench.
- 8.3** Reinstall and secure any dispenser panels previously removed.

## **9. REPORTING RESULTS**

Report test data and other information as required in the Worksheet at the end of this document. Districts may require the use of alternate forms, provided they include the same minimum parameters.

## **10. ALTERNATE PROCEDURES**

This procedure shall be conducted as specified. Modifications to this test procedure shall not be used to determine compliance unless prior written approval has been obtained from the CARB Executive Officer, pursuant to Section 14 of Certification Procedure CP-201.

## Worksheet for Dispenser Integrity Test

Dispenser (Pumps)	Initial Vacuum Value	Final Vacuum Value (after 60 seconds)	Difference	Pass/Fail *

### Notes

\* Dispenser Integrity Test fails when the vacuum reading falls more than 4.0 inH<sub>2</sub>O in 60 seconds.

(For example, initial vacuum value is 76.0 inH<sub>2</sub>O and final vacuum value is 70.0 inH<sub>2</sub>O. Difference is  $\geq 4.0$  inH<sub>2</sub>O, thus the dispenser fails dispenser integrity test).

Leaks must be repaired. Repair leaks as recommended in IOM Section 8. Retest until all leaks have been repaired.